

Sevier Outdoor Wall

8738703 | 1.0

GENERATION LIGHTING

CAUTION - RISK OF FIRE

This product must be installed in accordance with the applicable installation code by a person familiar with the construction and operation of the product and the hazards involved.

Use minimum 90°C supply conductors.

GENERAL PRODUCT INFORMATION:

These fixtures are intended to be installed utilizing NEC compliant junction boxes.

This product is safety listed for wet locations.

Incandescent version may be dimmed with a standard incandescent dimmer. LED version may be dimmed with a LED dimmer. Consult lamp manufacturer for additional information.

This instruction shows a typical installation.

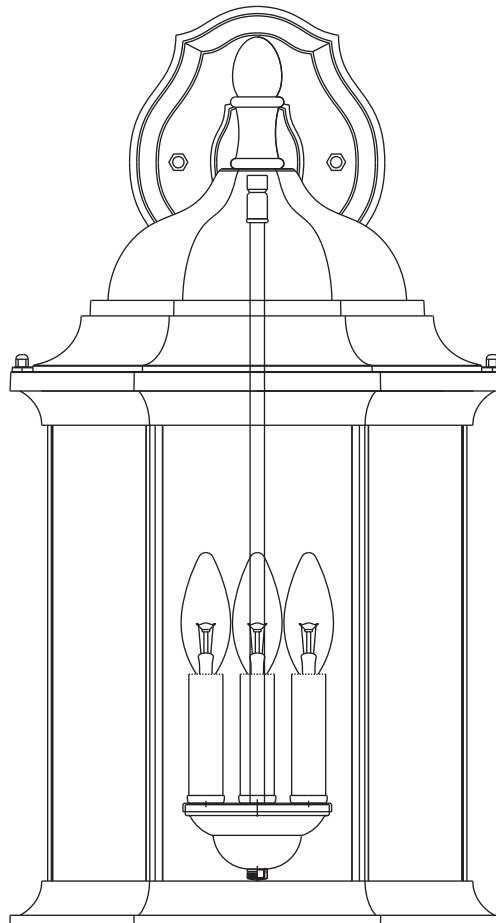
GENERATION LIGHTING

7400 Linder Ave, Skokie, IL 160077

800.969.3347

www.visualcomfort.com

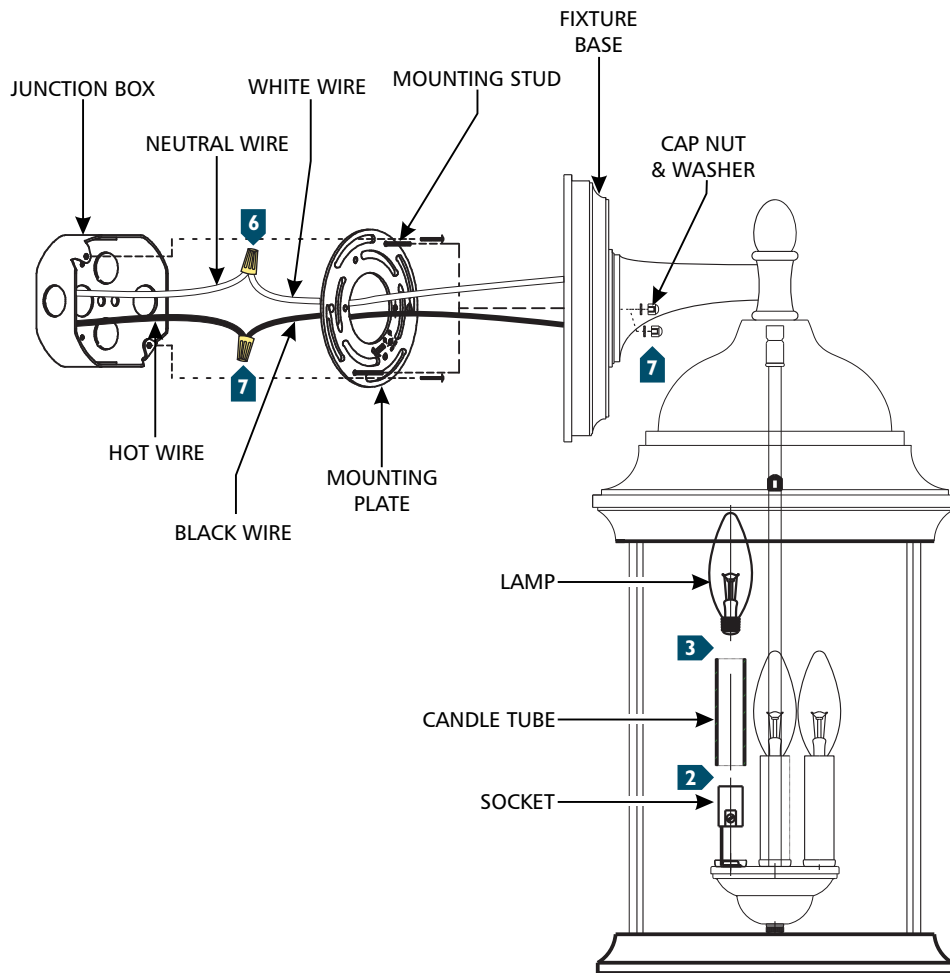
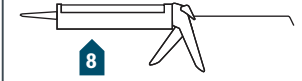
©2023 Visual Comfort & Co.. All rights reserved. The Visual Comfort & Co. logo is a registered trademark of Visual Comfort & Co. Visual Comfort & Co. reserves the right to change specifications for product improvements without notification



SAVE THESE INSTRUCTIONS!

Install the Fixture

1A



- 1** Secure the mounting plate to the junction box.
- 2** Install the candle tubes by sliding them over the sockets.
- 3** Screw the lamps into the sockets. Refer to the label on the socket for Max Wattage Information.
- 4** Connect the fixture to a suitable ground in accordance to local electrical codes.
- 5** Connect the white fixture wire to the neutral power line wire with a wire nut.
- 6** Connect the black fixture wire to the hot power line wire with a wire nut.
- 7** Align and place the fixture base onto the mounting studs and secure it with the washers and cap nuts.
- 8** For wet locations, caulk around the base of the fixture with waterproof construction sealant.