

Job Name:

Engineer/Architect:

Job Location:

Wholesaler:

Submittal Date:

Contractor:

## OR10/12/32/STR10/12/SSR10 Multi-Turn Straight Stop – Female Iron Pipe x Compression

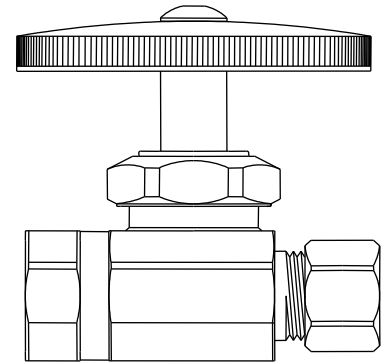
**Use:** For use in potable water distribution systems in accessible locations only. Not intended for recirculation systems/continuous use of temperatures above 115°F. For those applications, use our KT™ series ball stop.

**Design Features:**

- **Machined one-piece brass body** provides strength, durability and long-lasting performance.
- **Oval knurled handle** provides a secure grip and smooth on/off operation.
- **Easy-to-remove handle** with screw attachment helps protect against accidental operation during rough-ins.
- **No-lead brass material** meets compliance for safe drinking.



Excludes loose key handle



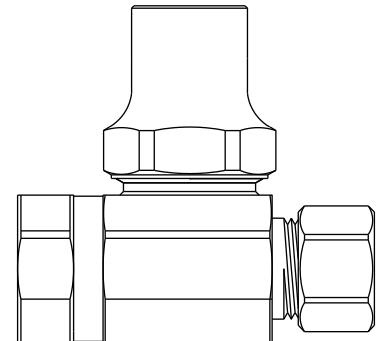
**Operating Specifications:**

**Temperature:** 40° - 160°F

**Pressure:** 125 PSI maximum

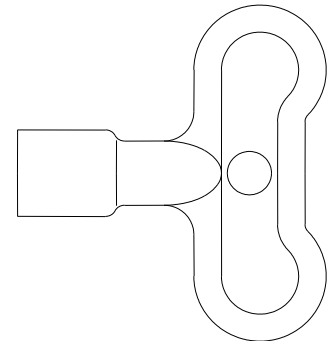
**STOP MATERIAL SPECIFICATIONS**

<b>Body</b>	Brass or brass, chrome plated
<b>Stem</b>	POM or brass
<b>Bib &amp; Packing Washers</b>	Rubber
<b>Packing Nut</b>	Brass or brass, chrome plated
<b>Handle</b>	Zinc, die cast plated; ABS, plated; or polycarbonate
<b>Handle Screw</b>	Steel, zinc plated
<b>Compression Sleeve</b>	Brass
<b>Compression Nut</b>	Brass or brass, chrome plated



**Part Listing:**

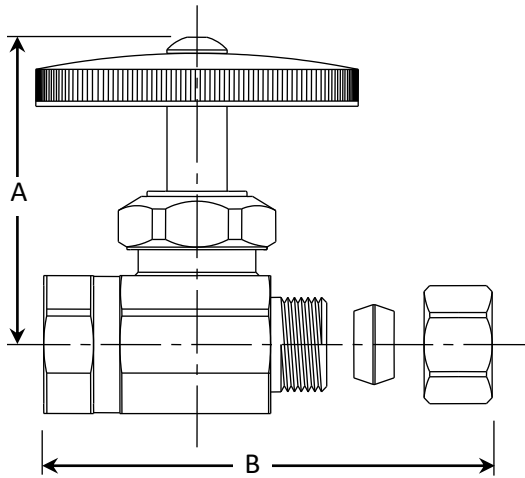
- OR10X C 3/8" FIP x 3/8" OD Compression, Chrome Plated
- OR10X C1 3/8" FIP x 3/8" OD Compression, Chrome Plated, Window Box
- OR10X R 3/8" FIP x 3/8" OD Compression, Rough Brass
- OR10X BZ 3/8" FIP x 3/8" OD Compression, Oil-Rubbed Bronze
- OR10ZX C 3/8" FIP x 3/8" OD Compression, Brass Stem, Chrome Plated
- OR12X C 1/2" FIP x 3/8" OD Compression, Chrome Plated
- OR12X C1 1/2" FIP x 3/8" OD Compression, Chrome Plated, Window Box
- OR12X R 1/2" FIP x 3/8" OD Compression, Rough Brass
- OR12ZX C 1/2" FIP x 3/8" OD Compression, Brass Stem, Chrome Plated
- OR32X C 1/2" FIP x 1/2" OD Compression, Chrome Plated
- OR32X C1 1/2" FIP x 1/2" OD Compression, Chrome Plated, Window Box
- OR32X CD 1/2" FIP x 1/2" OD Compression, Chrome Plated, Carded



*This specification and all information contained herein is the confidential and exclusive property of BrassCraft Manufacturing Company and shall not be disclosed to others without the written consent of BrassCraft. This specification must be returned to BrassCraft if requested.*

*\*Products shown may differ from those available in the Canadian market.*

# OR10/12/32/STR10/12/SSR10 Multi-Turn Straight Stop – Female Iron Pipe x Compression



<b>PART DIMENSIONS (Inches)</b>		
<b>Model</b>	<b>DIM. A</b>	<b>DIM. B</b>
OR10X	1.94	2.02
OR10ZX	1.94	2.02
OR12X	1.63	2.07
OR12ZX	1.63	2.07
OR32X	1.70	2.22

**Listings & Certifications:**

- IAPMO listed to ASME A112.18.1 / CSA B125.1 (includes NSF/ANSI 372 & NSF61)

NSF/ANSI/  
CAN61:Q≤0.5



*This specification and all information contained herein is the confidential and exclusive property of BrassCraft Manufacturing Company and shall not be disclosed to others without the written consent of BrassCraft. This specification must be returned to BrassCraft if requested.*

*\*Products shown may differ from those available in the Canadian market.*

400.30 OR10/12/32 Multi-Turn Straight Stop-FIP x Comp REV 9.25



© 2025 BrassCraft Manufacturing Company