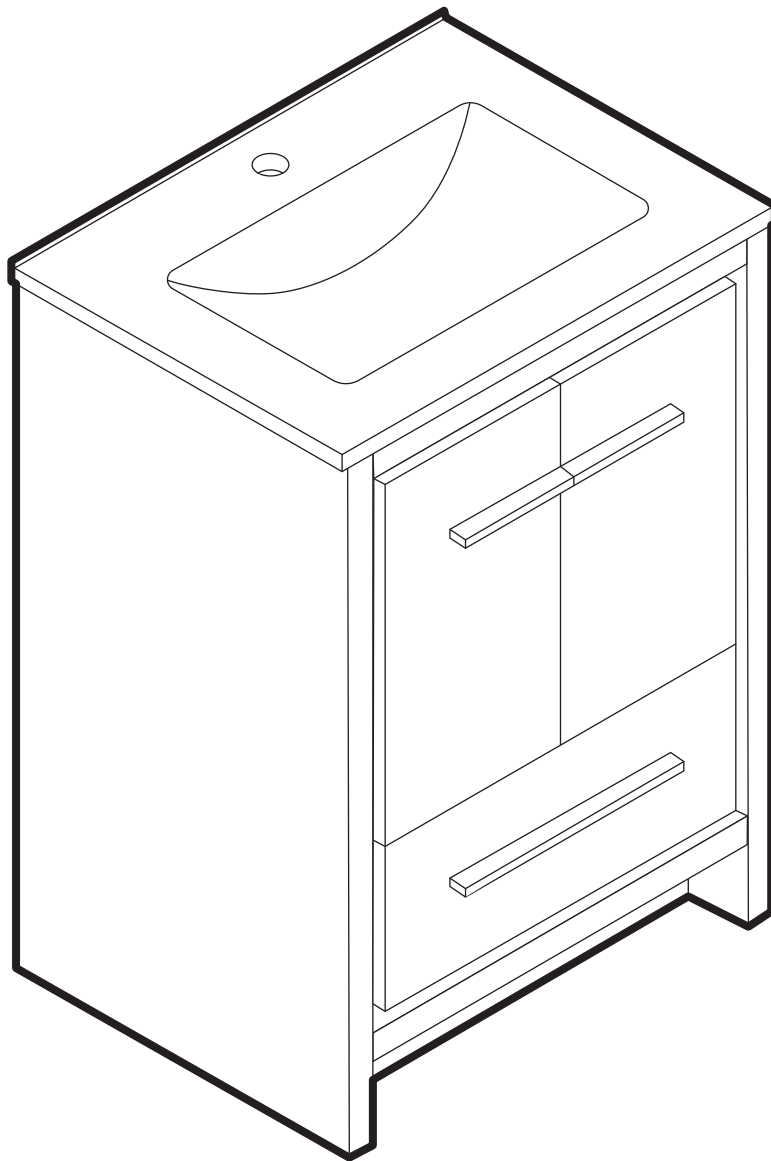


# Freestanding Vanity

## INSTALLATION INSTRUCTIONS





## PRIOR TO INSTALLATION:

- Inspect product to ensure no damages have occurred while in shipping.
- Observe all plumbing and building codes in accordance with your state and local requirements.
- Floor must be level prior to installation of vanity.
- All dimensions are nominal! Be sure to measure your vanity prior to installation.
- The step-by-step guidelines in the installation instructions are a general reference. Should there be any discrepancies, Swiss Madison cannot be held liable. It is recommended to install all Swiss Madison products by hiring a licensed professional.
- Read installation and maintenance instructions thoroughly before installing. Be sure to use proper tools and always wear proper personal safety accessories for your protection.

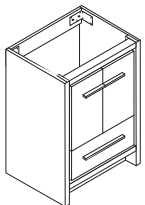
## QUESTIONS OR CONCERNS?

Please contact us:

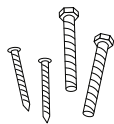
1-434-623-4766

[info@swissmadison.com](mailto:info@swissmadison.com)

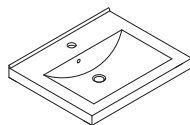
## INCLUDED PARTS:



Vanity Base



Hardware



Vanity Sink

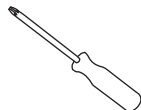
## SUGGESTED TOOLS & MATERIALS:



Safety Glasses



Gloves



Screwdrivers



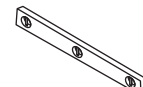
Allen Wrench



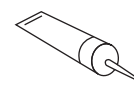
Silicone



Drop Cloth



Level



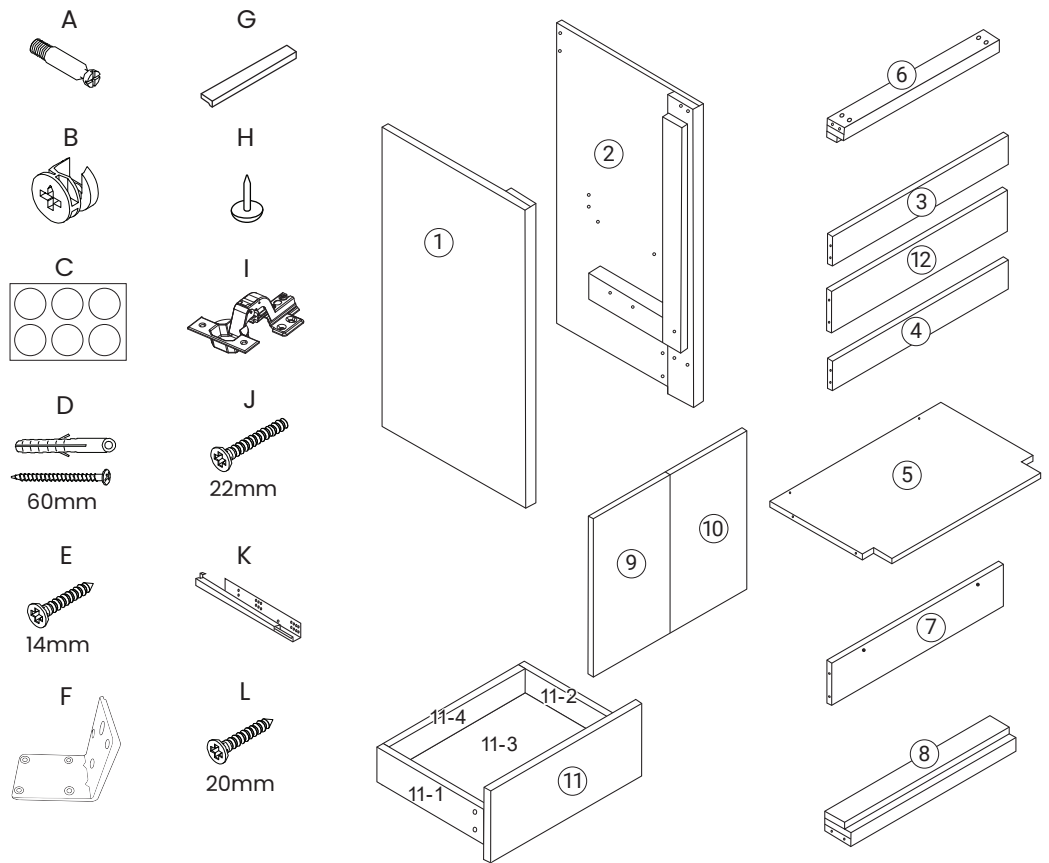
Adhesive



Drill

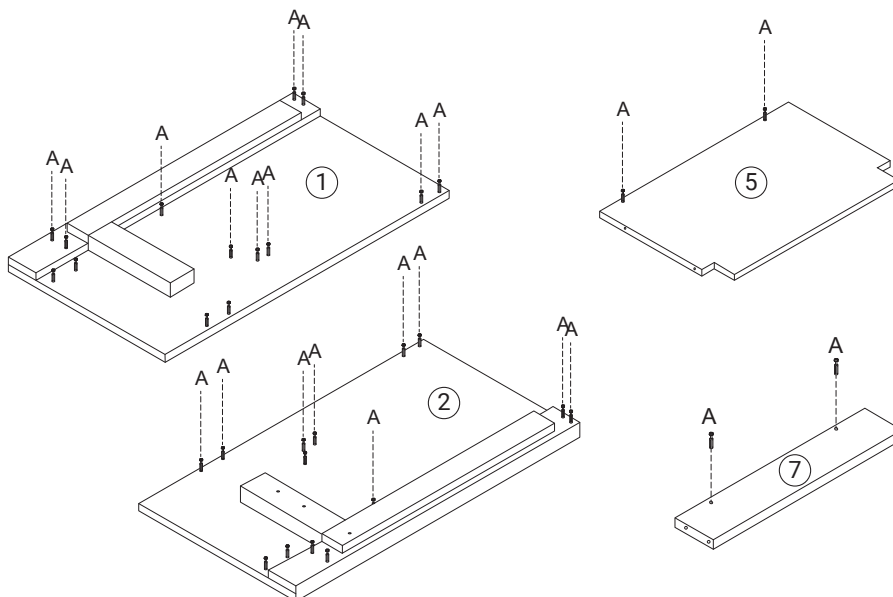
**Parts for Reference:**

- 1. Left side panel
- 2. Right side panel
- 3. Rear top panel
- 4. Inner back panel
- 5. Inner bottom panel
- 6. Front top bar
- 7. Front bottom panel
- 8. Front bottom bar
- 9. Left door panel
- 10. Right door panel
- 11. Drawer panel
- 11-1. Drawer left panel
- 11-2. Drawer right panel
- 11-3. Drawer bottom panel
- 11-4. Drawer back panel
- 12. Rear bottom bar
- A. Cam bolt
- B. Cam lock
- C. Cam patch
- D. Screw (60mm) & plastic anchor
- E. Screw (14mm)
- F. Iron sheet
- G. Door handle
- H. Furniture glides
- I. Hinge
- J. Handle screw (22mm)
- K. Slide rail
- L. Screw (20mm)



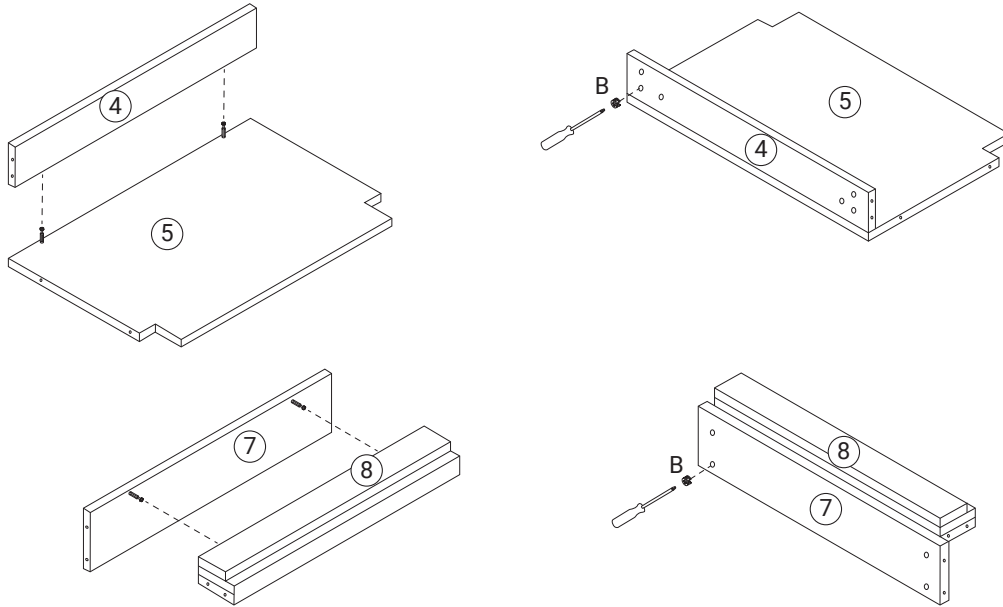
**1 Install Cabinet Panel**

- Screw 14 cam bolts (A) into the left side panel (1). Repeat for the right side panel (2).
- Screw 2 cam bolts (A) into the Inner bottom panel (5).
- Screw 2 cam bolts (A) into the Front bottom panel (7).



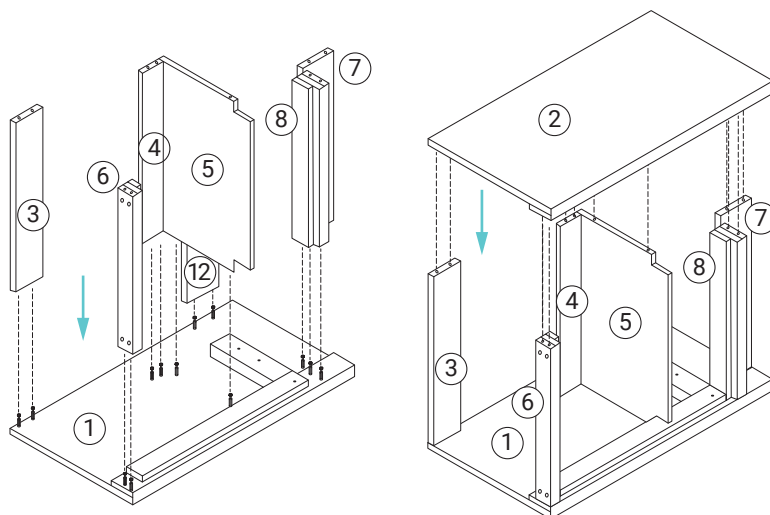
## 2 Assemble Bottom Panel

- Connect the Inner back panel (4) to the Inner bottom panel (5). Use 2 cam locks (2) to secure in place.
- Connect the Front bottom panel (7) to the Front bottom bar (8). Use 2 cam locks (2) to secure in place.



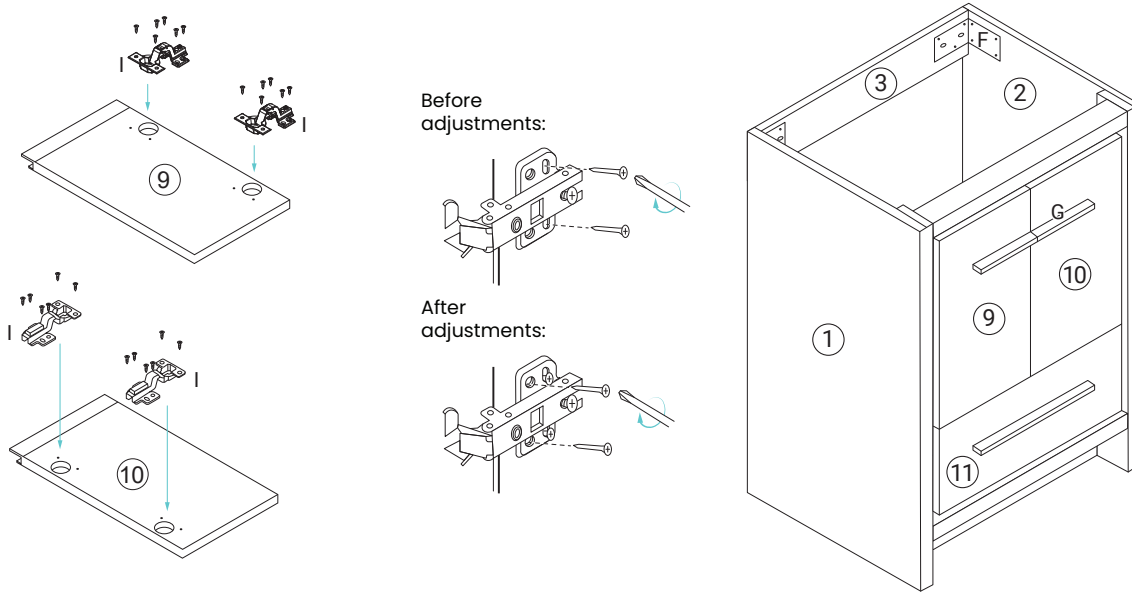
## 3 Assemble Base

- Attach the Rear top panel (3) to the left side panel (1) and secure using 2 cam locks (B)
- Attach the Rear bottom bar (12) to the left side panel (1) and secure using 2 cam locks (B)
- Attach the Front top bar (6) to the left side panel (1) and secure using 2 cam locks (B)
- Attach the Inner back panel (4) and the Inner bottom panel (5) to the left side panel (1) and secure using 4 cam locks (B).
- Attach the Front bottom panel (7) and the Front bottom bar (8) to the left side panel (1) and secure 4 cam locks (B)
- Repeat the process to the right side panel (2) using an additional 12 cam locks (B).



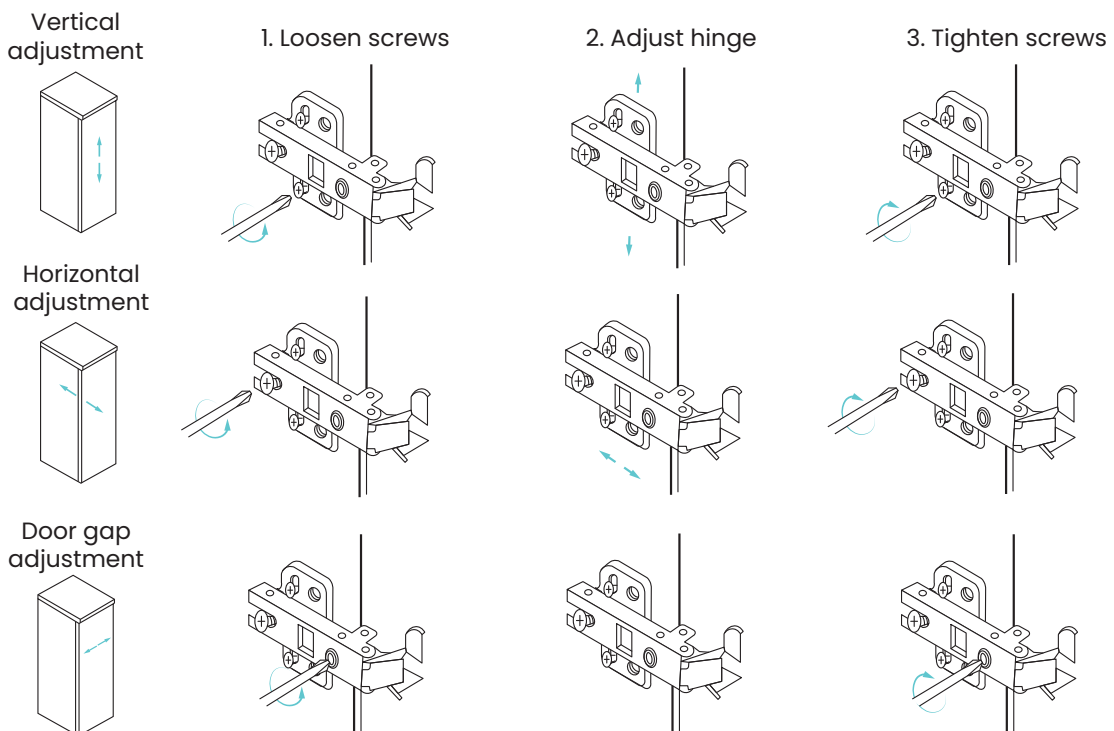
## 4 Attach Doors

- Install 2 hinges (I) to both the left door (9) and the right door (10) using 2 screws per hinge.
- Use additional 4 screws per hinge to attach the left door (9) and right door (10) to the cabinet. If the door does not align properly, adjust the hinges according to the diagrams below.
- Once adjustments have been completed, secure the hinges using 2 screws (G) each. Install 2 door handle (G) to the door panel and secure using 4 screws (J).
- Use 7 screws (E) secure left side panel and rear top panel (3) with iron sheet (F). Repeat for the right side panel.



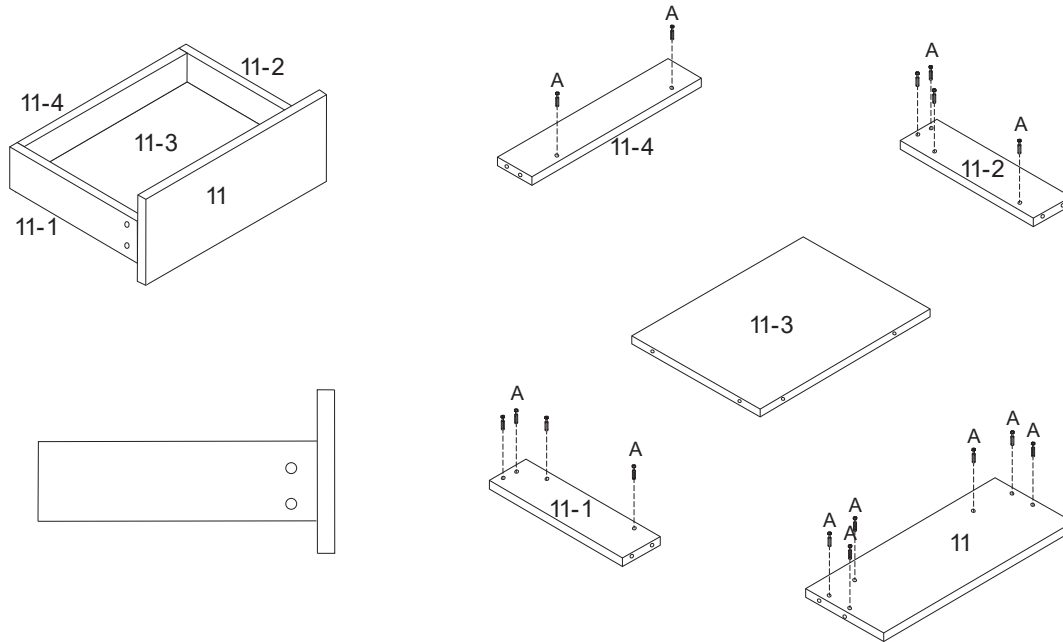
## Hinge/Door Adjustment and Realignment

- If adjustment or realignment is needed, follow the instructions provided in the following chart.



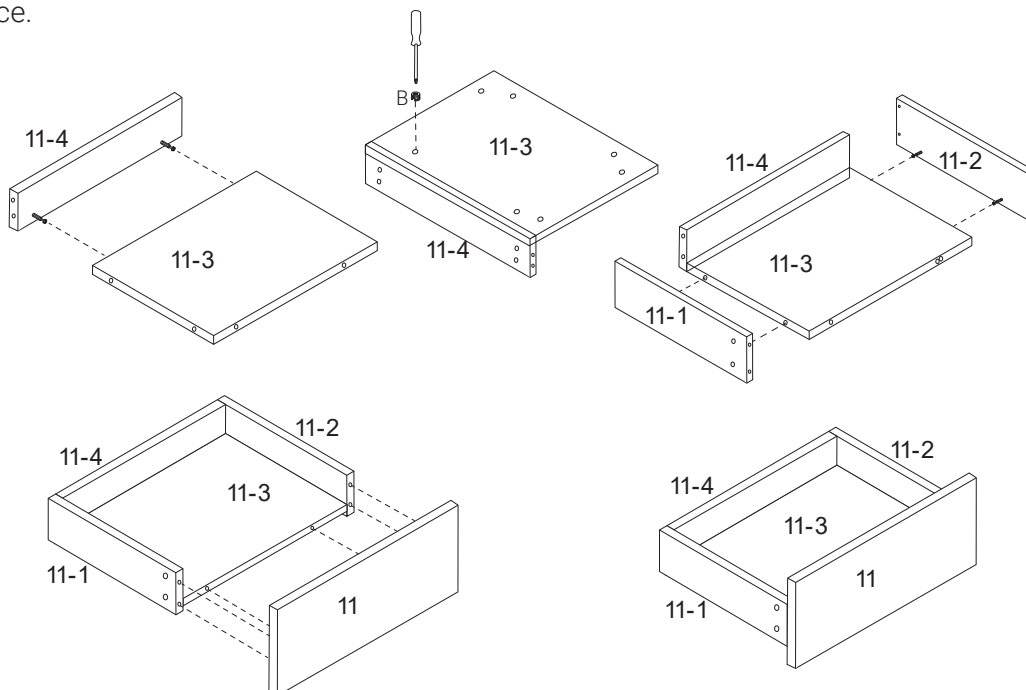
## 5 Install Drawer Panel

- Screw 4 cam bolts (A) into the Drawer left panel (11-1). Repeat for the Drawer right panel (11-2)
- Screw 2 cam bolts (A) into the Drawer back panel (11-4). Screw 6 cam bolts (A) into the Drawer panel (11).



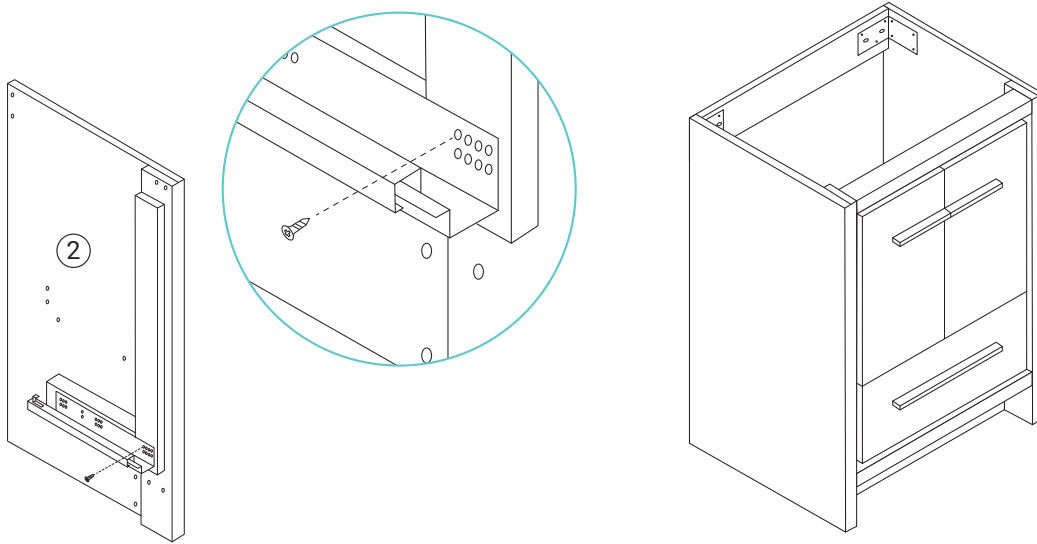
## 6 Assemble Drawer Panel

- Connect the Drawer back panel (11-4) to the Drawer bottom panel (11-3). Use 2 cam locks (B) to secure in place.
- Attach the Drawer bottom panel (11-3) to the Drawer left side panel (11-1) and secure using 2 cam locks (B). Repeat for the Drawer right side panel (11-2).
- Connect the Drawer front panel (11) to the left/right drawer side panel. Use 6 cam locks (B) to secure in place.



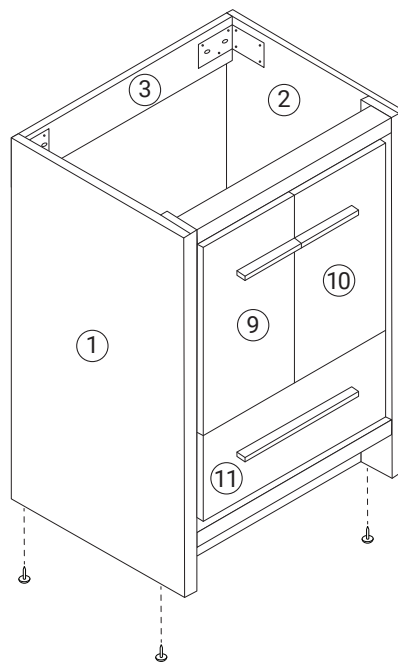
## 7 Assemble Vanity Base

- Attach the slide rail (K) to the left/right side panel and secure using 8 M4x14 screw. Please note that there are two screws that need to be punched at the positions marked on both ends of the slide rail.
- Connect the slide rail to the bottom of the drawer side panel use 2 M4x20 screw (L) to secure in place when the drawer is installed.



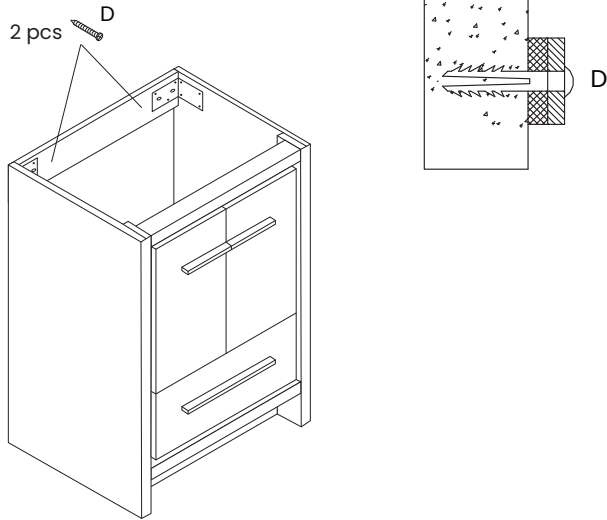
## 8 Attach Furniture Glide

- Invert the cabinet and assemble the 4 furniture glides (H) to the both side panel.



## 9 Secure Vanity to Wall

- Attach 2 screws (D) to the rear top bar (4).
- Mark desired mounting location on wall and ensure placement is level.



### Option 1: Securing to Drywall

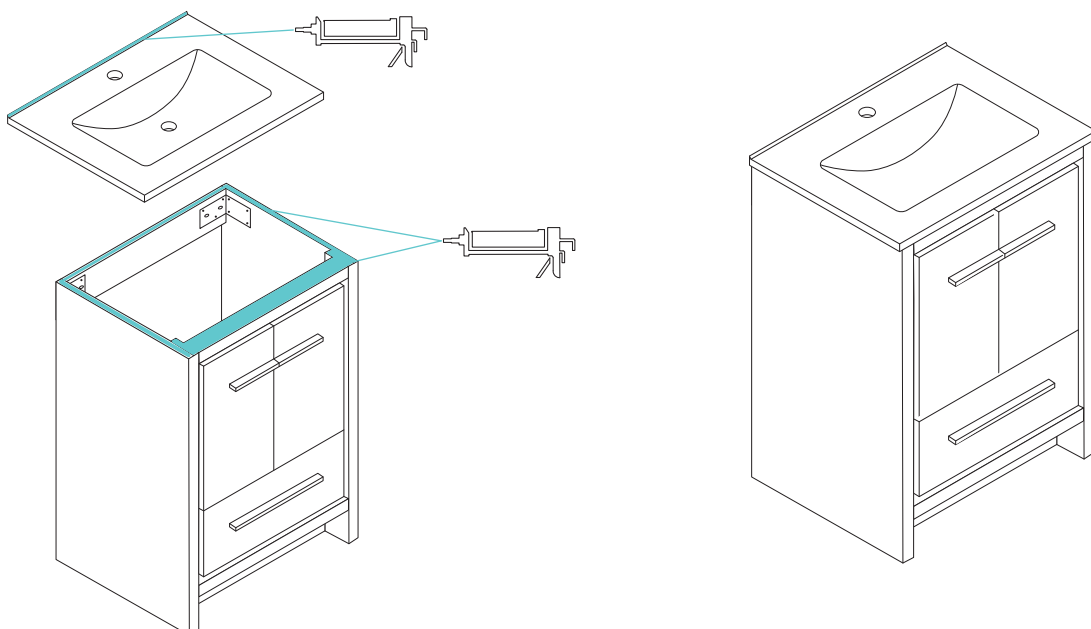
- Position cabinet against wall in desired location.
- Using a pencil, make a mark on the wall through the holes in each bracket.
- Move cabinet away from the wall. Create a pilot hole in each mark on the wall, then insert the plastic anchor.
- Place cabinet against the wall, insert a screw through the metal bracket into each hole in the wall, then tighten to plastic anchors to secure the vanity.

### Option 2: Securing to Drywall & Wood Stud

- Position cabinet against wall in desired location, be sure desired mounting location aligns with existing wood studs.
- Insert screw through the holes in the metal bracket, then tighten through the drywall into the wood stud. Repeat this step for the other metal bracket to secure the vanity.

## 10 Vanity Top Installation

- Install faucet and drain according to manufacturer's installation instructions. Do not overtighten, this may cause the sink to crack.
- Set the vanity top on top of the vanity base, checking the location of the p-trap and drain.
- Remove vanity top from vanity base. Apply a thin bead of silicone around the vanity base and set the vanity top carefully in place.
- Remove excess silicone with a wet cloth.



Wait 24 hours  
before use.



## ONE-YEAR LIMITED WARRANTY

Swiss Madison® products are made with quality materials and excellent craftsmanship to provide our customers with beautiful, durable, long-lasting products. Should there be any defects in materials or craftsmanship under regular use that are discovered within the first year after delivery, Swiss Madison® will provide replacement parts at no charge, or at its discretion, replace any product or part of the product that is deemed defective, under normal installation, use, service or maintenance. This warranty applies only to the original purchaser. Proof of purchase must be submitted with any warranty claim.

Swiss Madison® recommends that all installations of Swiss Madison® products to be conducted by a licensed plumber or contractor. Swiss Madison® will not be held responsible for any damage or product failure due to improper installation, misuse, or failure to utilize a licensed plumber or contractor for installation. Swiss Madison® is not responsible for any installation or removal costs.

### THIS ONE-YEAR LIMITED WARRANTY WILL BE VOIDED IF:

- The installation instructions were not followed by the installer
- The product has been moved from its initial place of installation
- The product has in any way been modified from its original condition
- The product has been subjected to improper maintenance, abuse, misuse, excessive use of chemicals, accidents, or other damages

Swiss Madison® makes no warranty that its products comply with any local building or plumbing codes. It is the consumer's responsibility and obligation to determine local code compliance prior to and during installation.

Swiss Madison® is not responsible for any special, incidental or consequential damages associated with the installation, replacement, return or use of the original purchaser's product. This includes, but is not limited to: freight costs, labor, travel time, lost profit, home damages and other contingent liabilities and costs (including, without limitation, costs associated with 'professionals' or 'experts', investigations, audits, analyses, attorneys and any other professional/hired services). Some states do not allow the exclusion or limitation of incidental or consequential damages, so the above limitation or exclusion may not apply to you.

The Swiss Madison® warranty is a comprehensive and explicit limit of liability. All other warranties are hereby disclaimed and waived.

**QUESTIONS OR CONCERNS?** Please contact us directly at: 1-434-MADISON (623-4766)



### **WARNING:**

Contents of your order may contain sharp and possibly other harmful pieces and may cause hazard to children and adults. Swiss Madison® is not responsible in any way for personal injuries or damages.