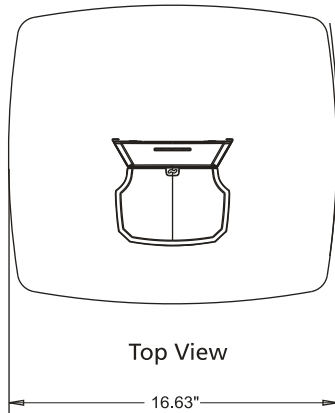
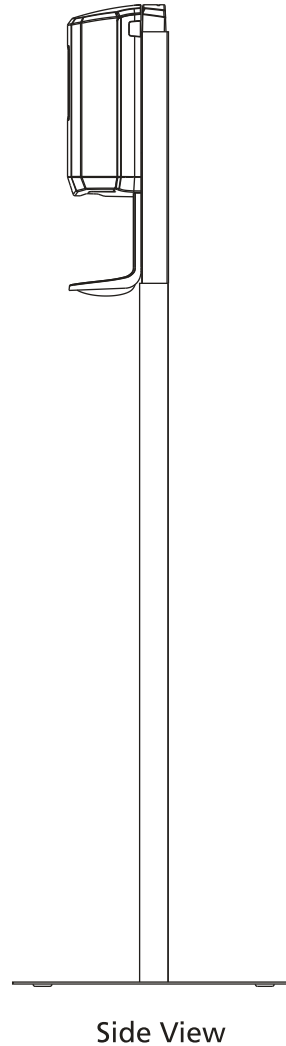
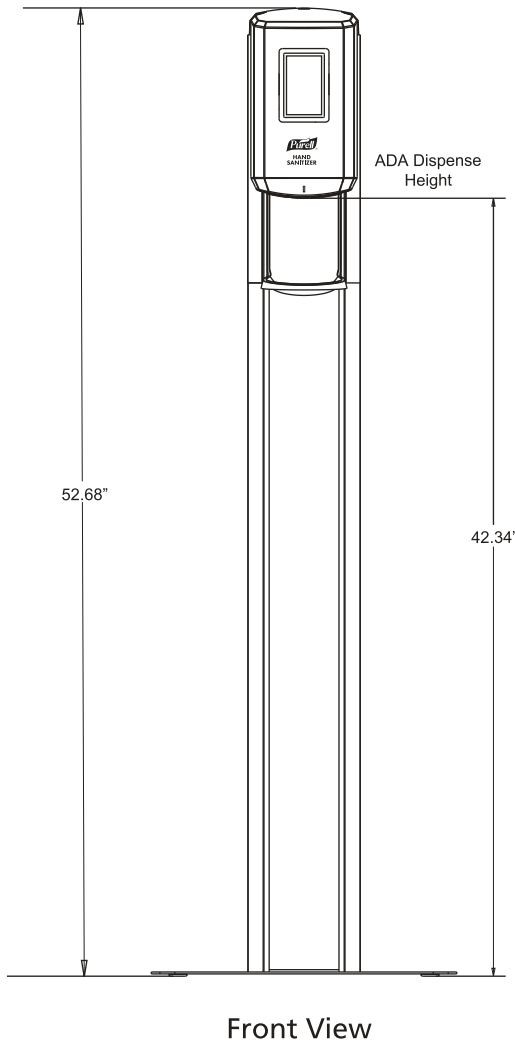


PURELL CS MESSENGER™ STAND DIMENSIONS



Use the dimensions provided to ensure adequate floor spacing and clearance for the unit.
Refill sold separately.



GOJO Industries, Inc.
One GOJO Plaza, Suite 500
P.O. Box 991 • Akron, OH 44309-0991
Tel: 1-330-255-6000 • Toll-free: 800-321-9647
Fax: 1-800-FAX-GOJO

©2021 GOJO Industries, Inc. All rights reserved.

#31857