




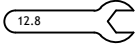
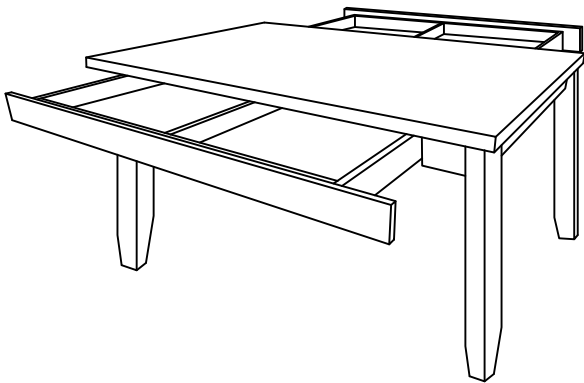


ASSEMBLY INSTRUCTION

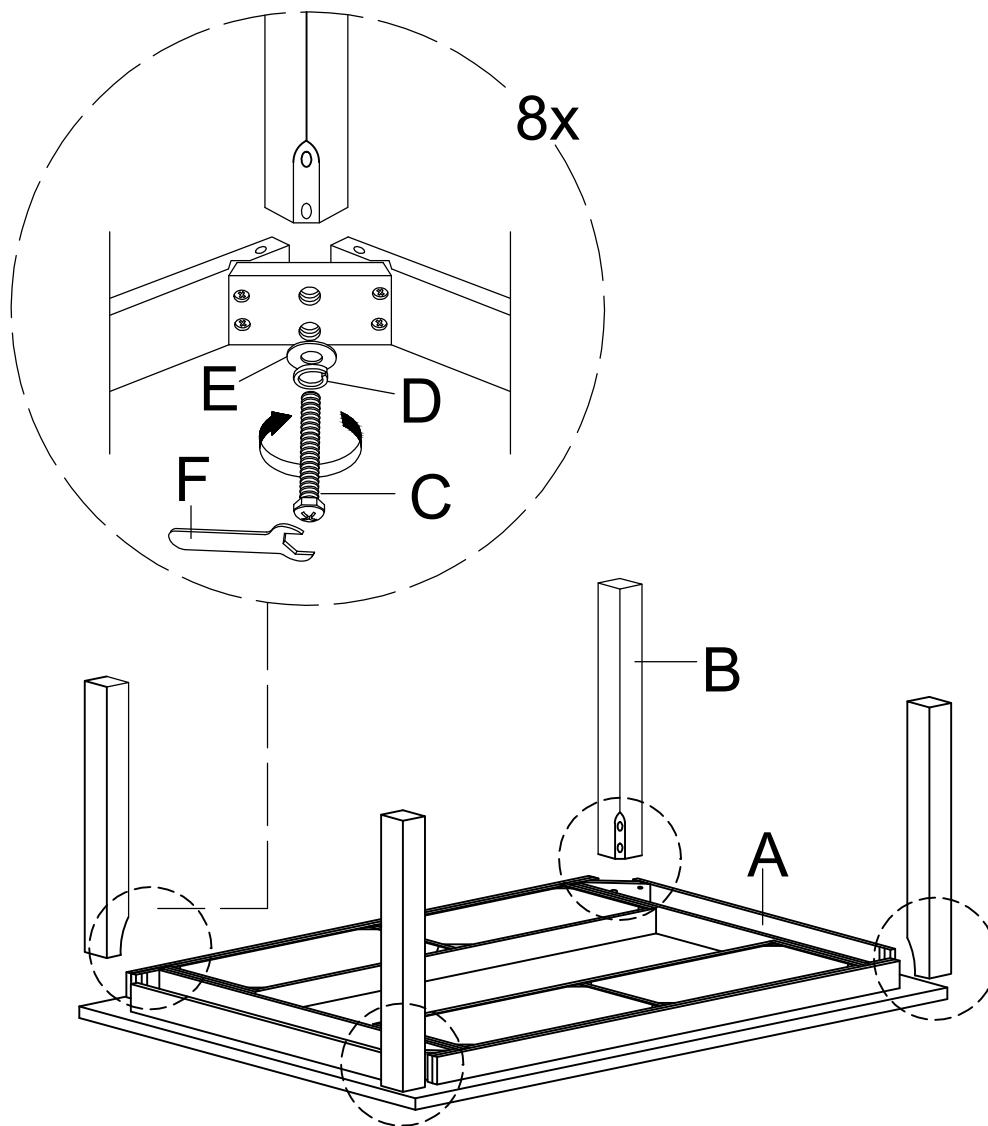
DINING TABLE WITH 2 STORAGE DRAWERS

| | | | |
|---|---|--|---|
| A Table Top | B Table Leg | C Hex Comb 5/16" x 2-1/2" | D Lock Washer 5/16" |
|  |  |  |  |
| 1 pc | 4 pcs | 8 pcs | 8 pcs |
| E Flat Washer 5/16" | F Spanner 12.8mm | | |
|  |  | | |
| 8 pcs | 1 pc | | |



This page lists all the contents included in the box. Please take the time to identify the hardware as well as the individual components to this product. As you unpack and prepare for assembly, place the contents on a carpeted or padded area to protect them from damage.

-
- 1** Place the Table Top (A) upside down on smooth carpet surface. Tighten the Table Top (A) and Table Leg (B) by Hex Comb (C), Lock Washer (D) and Flat Washer (E) with Spanner (F).



Cleaning & Care

Treat surface with care. Surface is resistant to scratches but is not scratch resistant. Clean surface with a dry or damp soft cloth. Do not use abrasive cleaners. Hardware may loosen over time. Periodically check that all connections are tight.