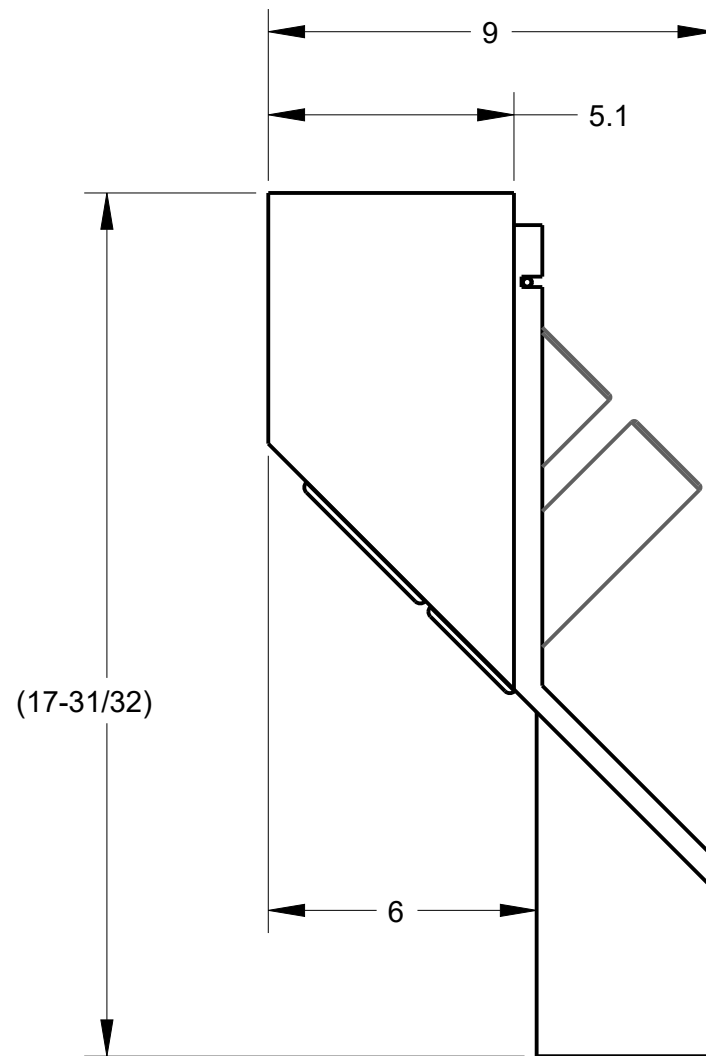
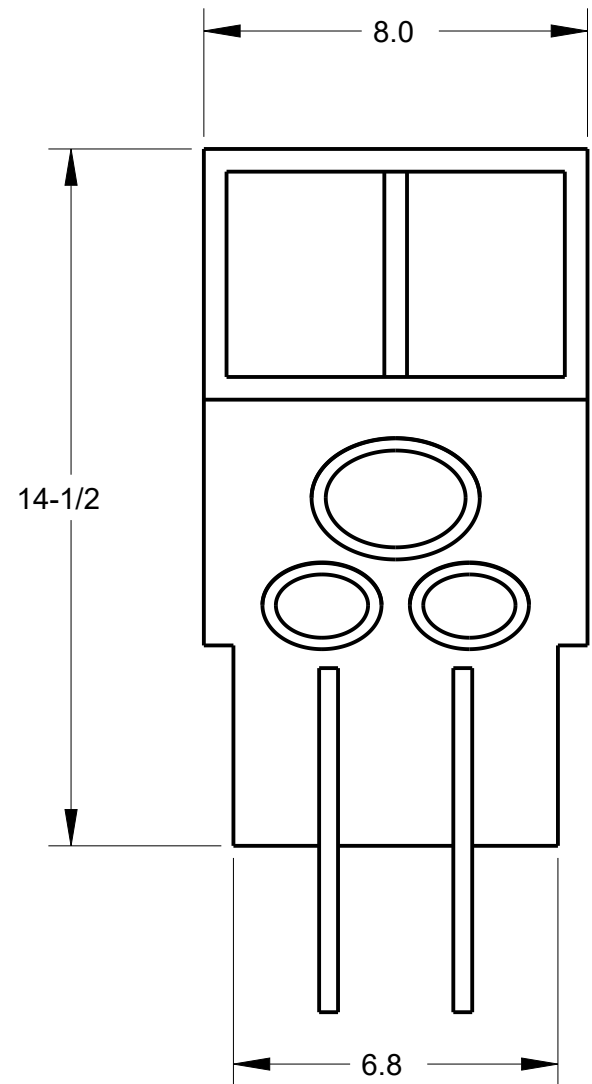


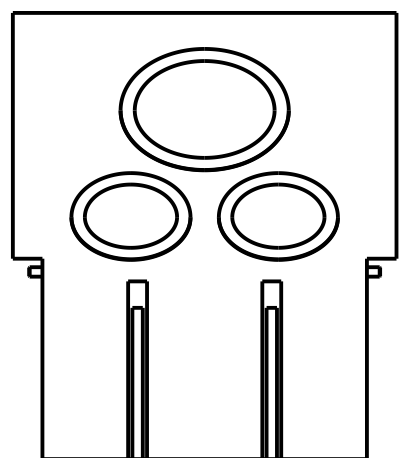
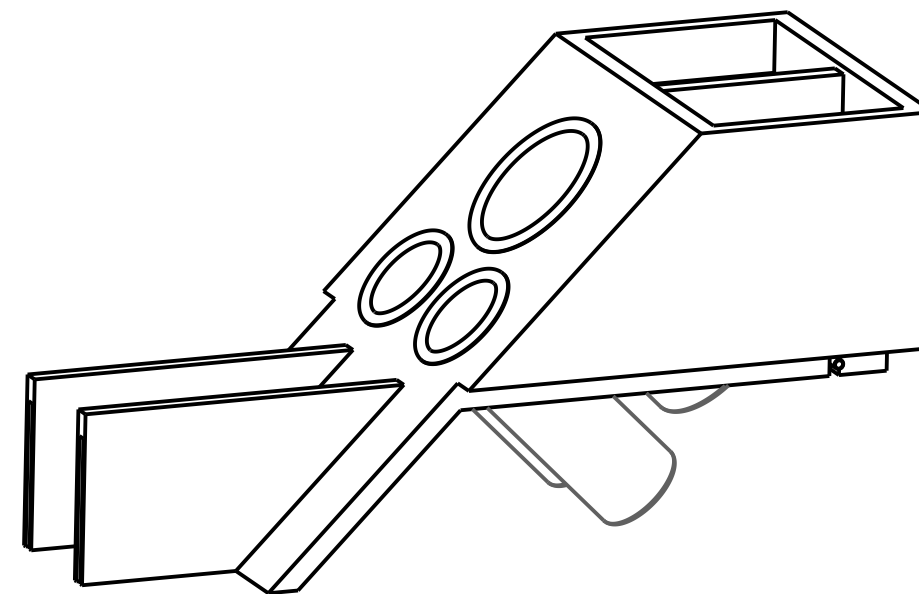
8 7 6 5 4 3 2 1

F  
E  
D  
C  
B  
A

F  
E  
D  
C  
B  
A



# GROOMING MODULE SHOWN



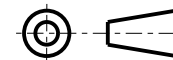
HARDWARE RESOURCES RESERVES THE RIGHT TO CHANGE SPECIFICATIONS WITHOUT NOTICE. IN CASE OF A DISCREPANCY, ACTUAL PART GEOMETRY SUPERSEDES THIS DOCUMENT.

THE INFORMATION CONTAINED WITHIN THIS DRAWING IS THE SOLE PROPERTY OF HARDWARE RESOURCES INC. ANY REPRODUCTION IN PART OR WHOLE WITHOUT WRITTEN PERMISSION OF HARDWARE RESOURCES INC. IS PROHIBITED.

DOCUMENT STATUS **Released**  
UNLESS OTHERWISE SPECIFIED DIMENSIONS ARE IN INCHES (IN)

MATERIAL: WHITE BIRCH      FINISH: UV COATED

THIRD ANGLE PROJECTION      DATE: 15MAR17



DESCRIPTION  
VANITY ORGANIZER SYSTEM, GROOMING MODULE

DRAWING NUMBER: VBPO-G01      REV: **B**

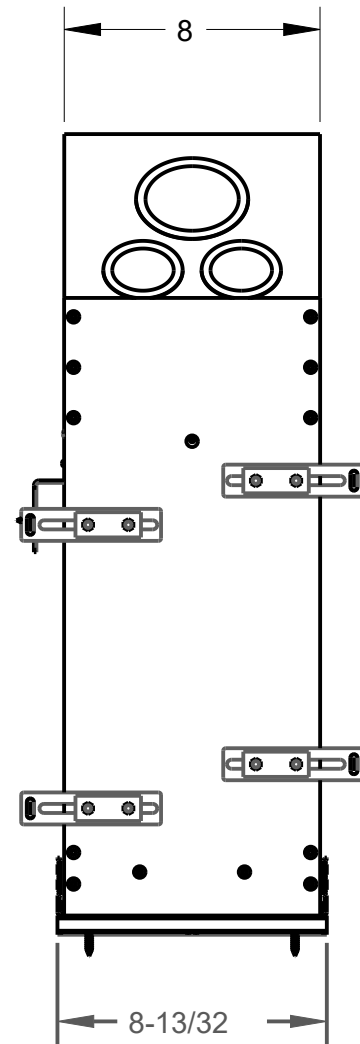
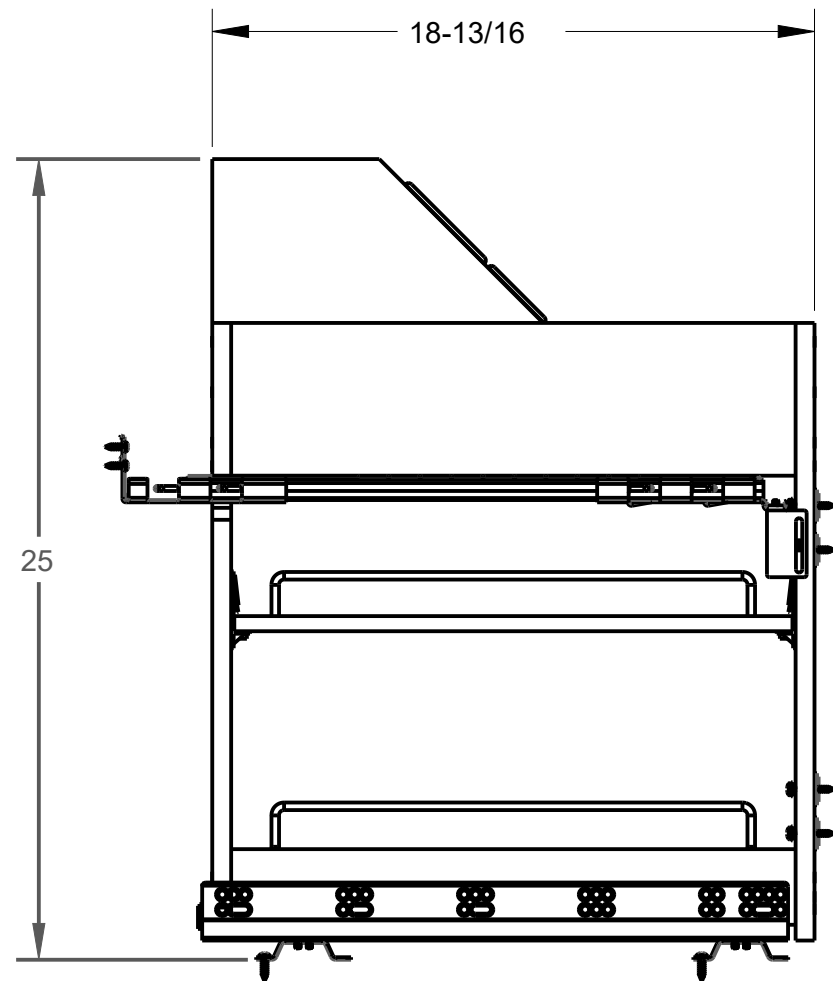
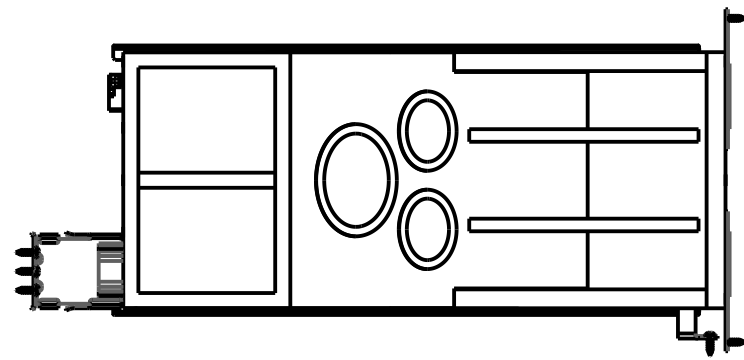
SIZE: A3      SCALE: 1:4      SHEET: 1 / 2

8 7 6 5 4 3 2 1

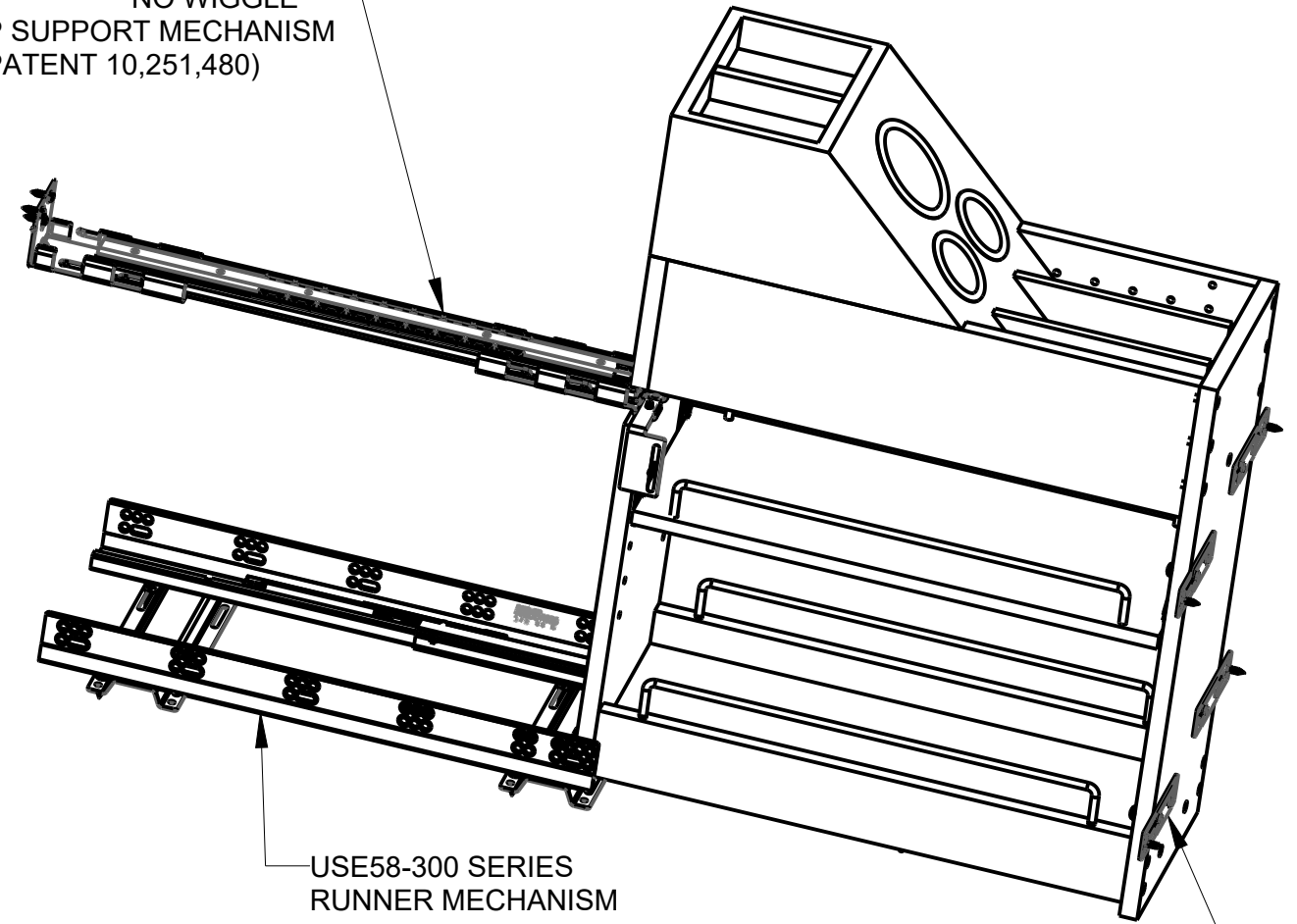
A

A

# GROOMING MODULE (VBPO-G01) INSTALLED ON TOP OF VANITY BASE PULLOUT MODULE (VBPO8-SC, SOLD SEPARATELY)



"NO WIGGLE"  
 TOP SUPPORT MECHANISM  
 (US PATENT 10,251,480)



USE58-300 SERIES  
 RUNNER MECHANISM

6 WAY DOOR MOUNTING  
 ADJUSTABLE SYSTEM  
 (US PATENT 10,028,581)

DRAWING NUMBER VBPO-G01		REV <b>B</b>
SIZE A3	SCALE 1:12	SHEET 2 / 2
DOCUMENT STATUS		Released