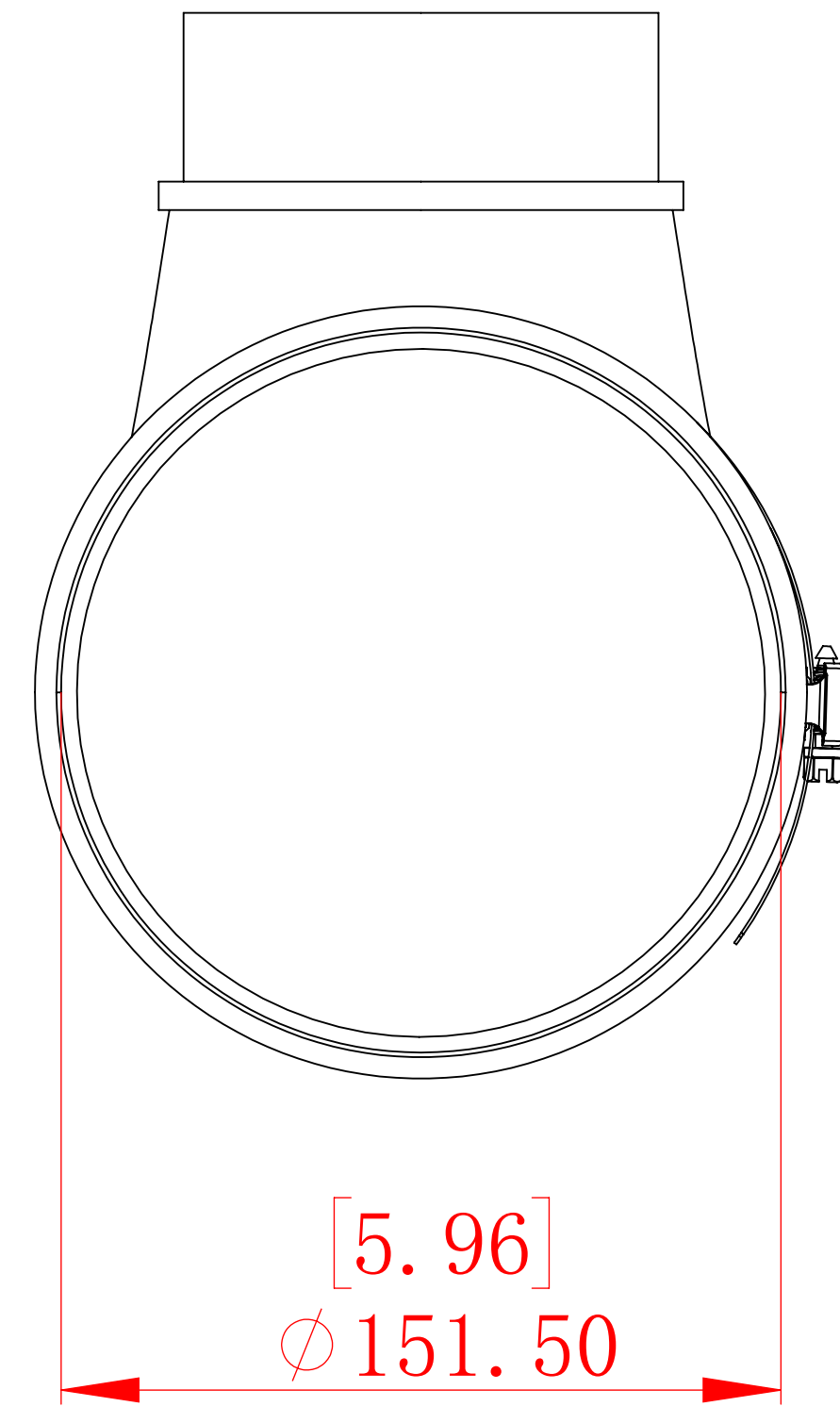
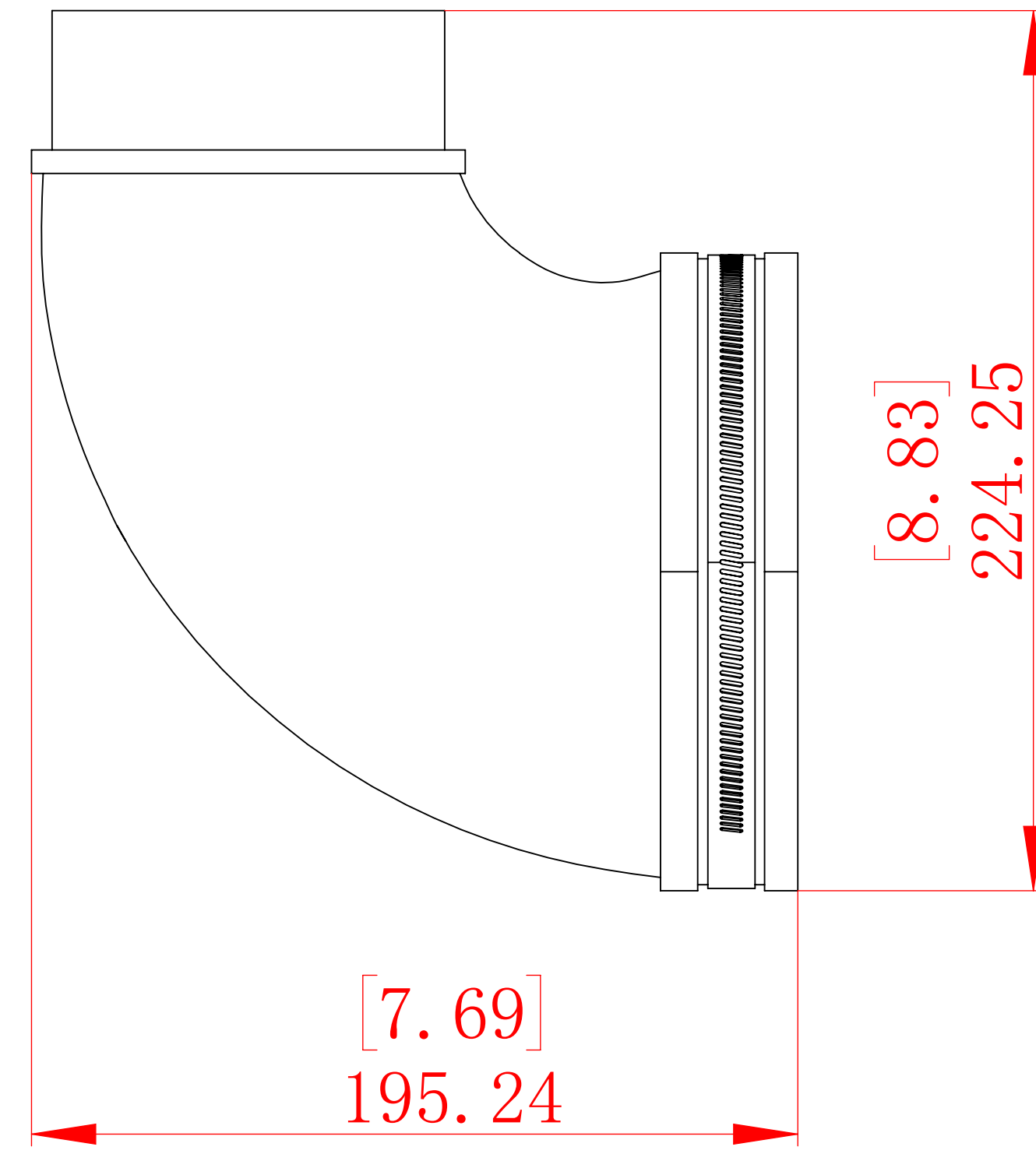


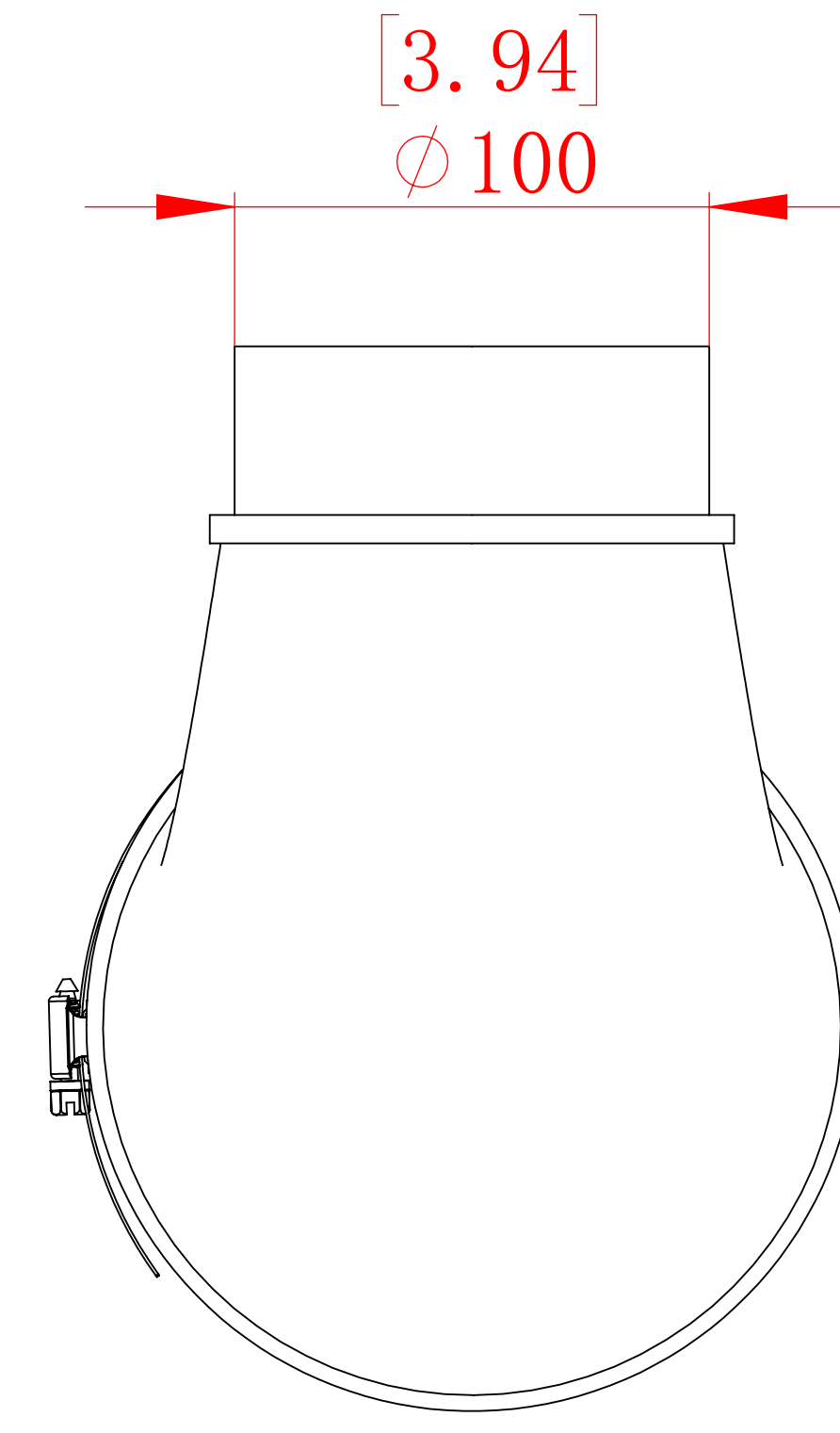
FRONT



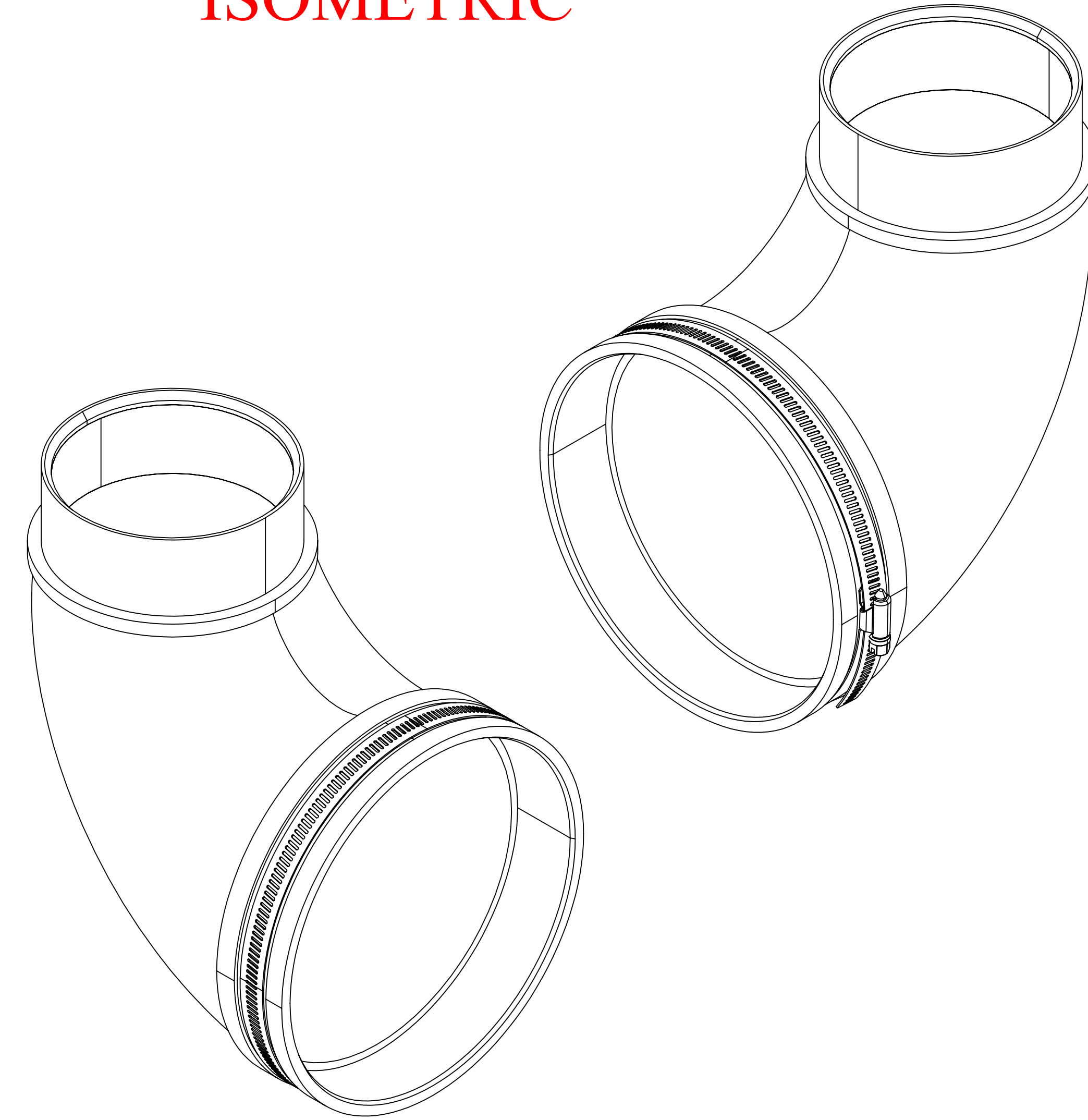
SIDE



BACK



ISOMETRIC



SONANCE

991 Calle Amanecer, San Clemente, CA.
92673
58800 2-7777 949 492-7777
FAX 949 361-5579
www.sonance.com

PPX-6to4-90-ADAPTOR

SCALE: 2 : 3

DRAWN BY:

DRWN - PART NUMBER

REV.

SHEET: 01

RELEASED ON: