

PRODUCT MAX WEIGHT RATING
BHMA STANDARD

MIN CABINET OPENING	
WIDTH	6.5
DEPTH	10.88
HEIGHT	28.00

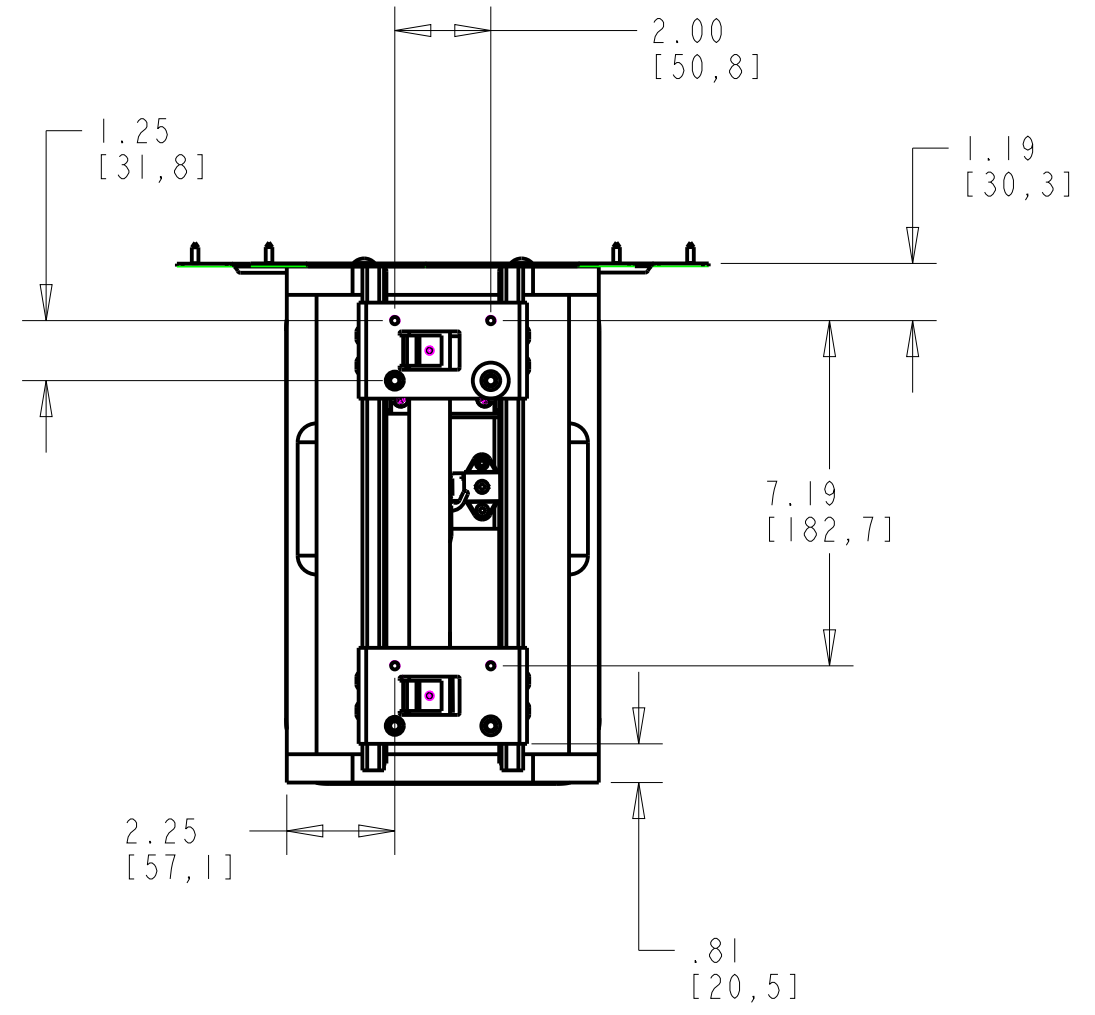
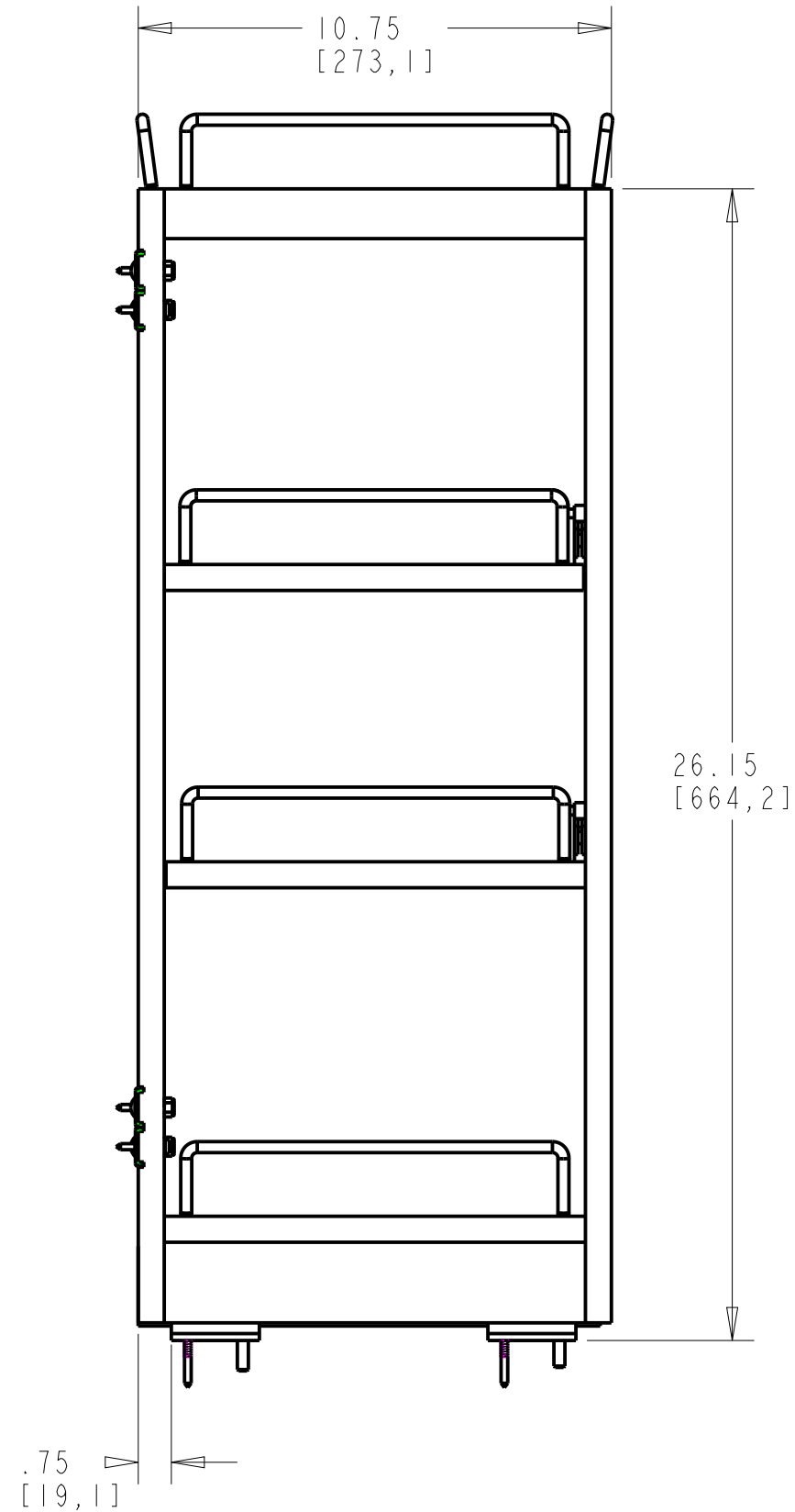
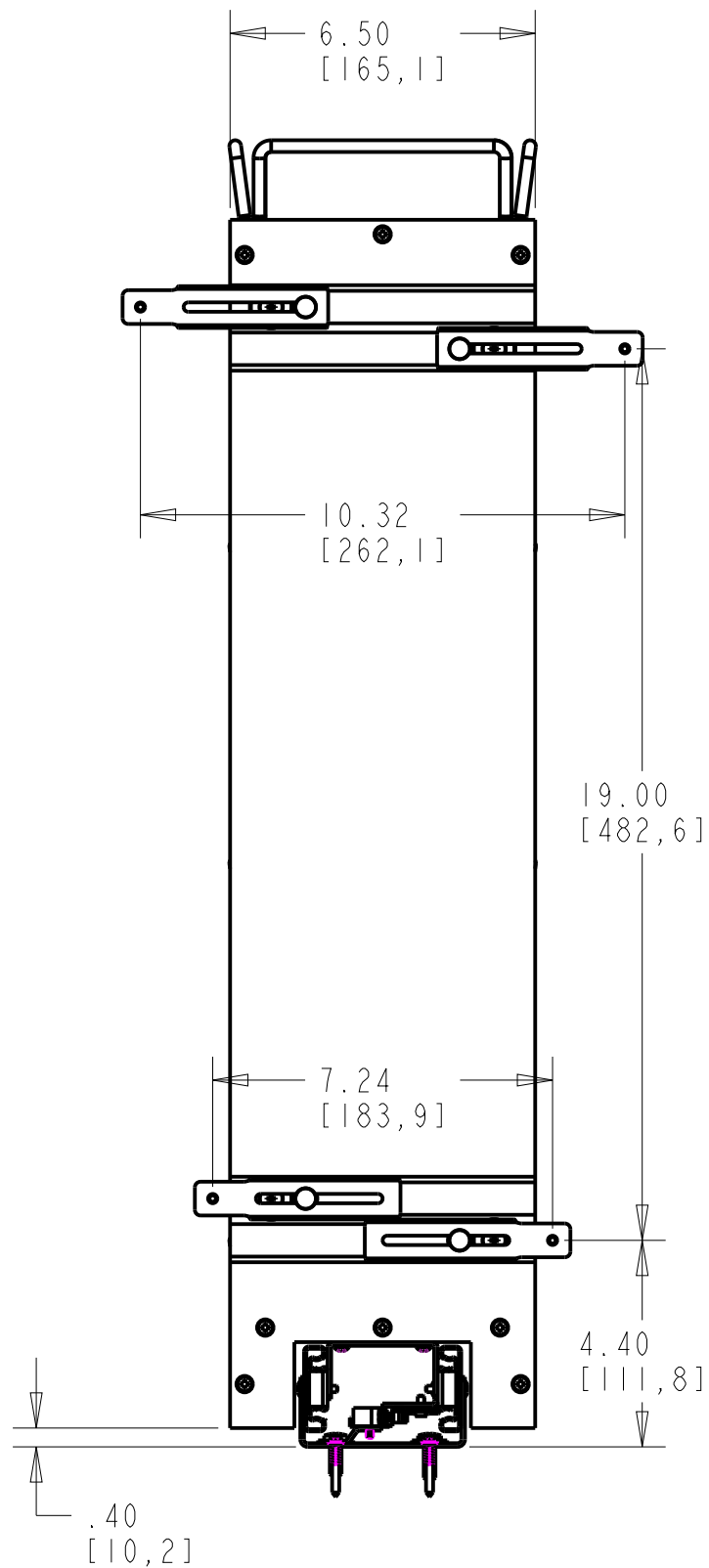
PART DIMENSIONS		
	MIN	MAX
WIDTH	6.5	6.5
DEPTH	10.75	10.75
HEIGHT	26.15	27.85
WEIGHT		
DIAMETER		
RADIUS		
CONTAINER CAPACITY		
CONTAINER UOM		

SLIDE SPECIFICATION				
SLIDE TYPE	BALL BEARING	SLIDE EXTENSION	FULL	MAX WEIGHT RATING
SLIDE CLOSING	SOFT	SLIDE LENGTH	267.7 MM	
SLIDE MOUNTING	N/A	SLIDE FINISH	ZINC	100 LBS

This drawing is the property of Rev-A-Shelf (RAS) and is disclosed in confidence to the extent its subject matter is original to RAS. Any vendor receiving this drawing from RAS shall hold and use this drawing for the sole benefit of RAS and shall not disclose it to, or use or reproduce it for any third party, or perform any act adverse to the interest of RAS with respect to this drawing without the express written permission of RAS. Vendors shall not revise any physical, dimensional or performance characteristic unless authorized by Rev-A-Shelf Engineering.

REV.	DATE	BY	DESCRIPTION OF CHANGE

INCH [MM]	AMERICAN PROJECTION	DRAWN	BY	DATE	
			LKW	8-23-18	
					SIZE B 6.5" FRAMELESS WALL CABINET CUSTOMER DRAWING
TOLERANCES MAT. DEC. (WOOD) .XX ±.03 [.8mm] (OTHER) .XX ±.02 [.5mm] (ALL) .XXX ±.005 [.13 mm] FRACTIONS ±1/32 [.8 mm]			MATERIAL	DRAWING NO.	SCALE
			FINISH	448-BBSCWC-6C	0.275
				PART NO.	SHEET OF
				448-BBSCWC-6C	1 2



This drawing is the property of Rev-A-Shelf (RAS) and is disclosed in confidence to the extent its subject matter is original to RAS. Any vendor receiving this drawing from RAS shall hold and use this drawing for the sole benefit of RAS and shall not disclose it to, or use or reproduce it for any third party, or perform any act adverse to the interest of RAS with respect to this drawing without the express written permission of RAS. Vendors shall not revise any physical, dimensional or performance characteristic unless authorized by Rev-A-Shelf Engineering.

REV.	DATE	BY	DESCRIPTION OF CHANGE

INCH [MM]	AMERICAN PROJECTION 	BY	DATE	REV-A-SHELF, INC.	
		LKW	8-23-18		
TOLERANCES		MATERIAL	DRAWING NO.	SCALE	
MAT. DEC. (WOOD) .XX ±.03 [8mm] (OTHER) .XX ±.02 [5mm] (ALL) .XXX ±.005 [13 mm] FRACTIONS ±1/32 [8 mm]		FINISH	448-BBSCWC-6C	0.250	
ANGLES ±1/2°			PART NO.	SHEET OF	
			448WC65SC	2 2	