

# DGC4

## 4" LED Recessed Gimbal

### Product Description

The DGC LED Downlight Gimbal Series offers an Airtight, IC rated gimbal that simplifies challenging lighting installations into easily tailored masterpieces. With five CCT Selections from 2700-5000K, the high performing light engine with off-board driver allows for more flexible installations and increased lifetime with improved thermal management. The DGC fixture uses a plenum-rated cable connector to link the downlight module to the remote driver box and then pops into place with its adjustable, spring-loaded retention tabs for a secure fit, eliminating the need for a J-box or recessed housing. Directional lighting is now easier than ever with 25° tilt and 360° rotation making the DGC perfect for architectural accents such as living rooms, hallways, stairways and corridors.

#### Construction

- Fully enclosed aluminum housing
- Adjustable, spring loaded retention tabs ensure secure fixture retention
- Certified for direct contact with insulation

#### Optical System

- Dual emitter COB enables CCT selection of 2700K, 3000K, 3500K, 4000K, or 5000K
- COB maintains 4-step MacAdams with  $\text{duv} < \pm 0.003$
- 90+ CRI and an  $R9 > 50$
- TIR optic provides smooth, uniform light with a 33° beam angle
- 25° Tilt with 360° rotation of the housing

#### Electrical

- 120VAC 50/60Hz input to driver
- Off-board driver/junction box includes three 1/2" KOs and three-port poke-in connectors
- Dimmable to less than 5% with compatible TRIAC dimmers
- Operating temperature rating of 0°F to 120°F (-18°C to 49°C)
- L70 Lifetime rated for greater than 54,000 hours
- LM-79, LM-80 testing performed in accordance with IESNA standards

#### Finish

- White or Oil-Rubbed Bronze powder coat finish

#### Mounting and Installation

- Spring loaded retention arms allow for easy installation into ceilings up to 1" thick with no need for a recessed housing
- CCT adjusted via switch on fixture power whip
- Extension power cables (10', 20') available

#### Listings

- LM-79, LM-80 testing performed in accordance with IESNA standards
- UL/cUL1598 Listed for damp locations
- Certified Type IC for direct contact with insulation
- Airtight per ASTM E283
- RoHS Compliant
- Meets FCC Part 15, Subpart B, Class B standards for conducted and radiated emissions
- LED lumen maintenance: L70(9k)>54,000 hrs

#### Warranty

- 5-year limited system warranty standard
- Warranty does not cover product failure due to an overvoltage event (power surge)
- For installations where power surge may be possible, NICOR recommends installing additional surge protection at the electrical distribution panel

Project

Catalog

Type

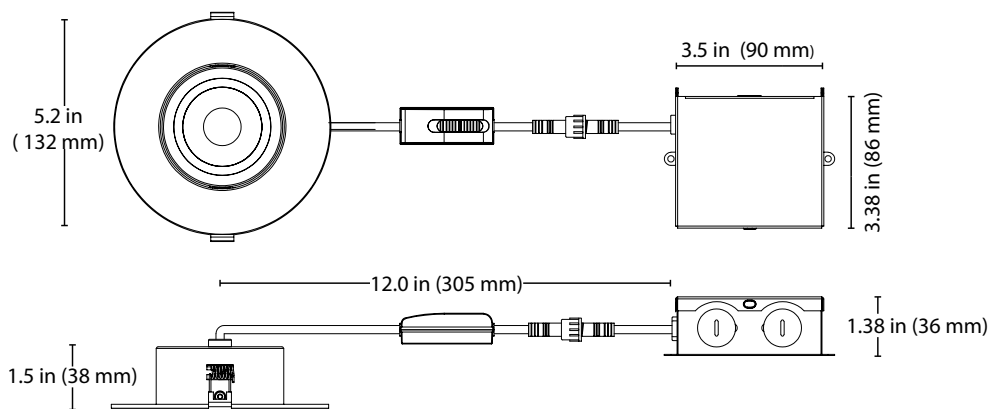
Date



**DGC4**  
**9W**  
LED Recessed Gimbal



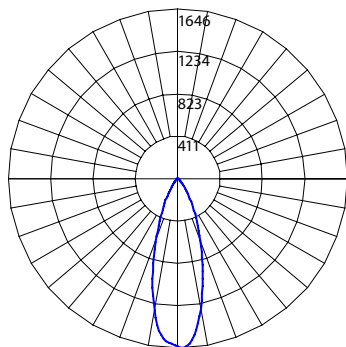
## Dimensions



## Photometric Data

### DGC4 2700K

Input Voltage (VAC)	120V
System Level Power (W)	8.9
Delivered Lumens (Lm)	726
System Efficacy (Lm/W)	81.2
Correlated Color Temp (K)	2757
Color Rendering Index (CRI)	95
Beam Angle	33°
Spacing Criteria	0.57



#### Intensity Summary (Candle Power)

Angle	Mean CP
0	1633
5	1573
15	934
25	419
35	144
45	33
55	18
65	9
75	4
85	0
90	0

#### CCT Data Multiplier

3000K	1.062
3500K	1.127
4000K	1.161
5000K	1.155

#### Cone of Light Tabulation

Mounted height (Feet)	Footcandles Beam Center	Diameter (Feet)
4	102.6	2.4
6	45.6	3.6
8	25.5	4.8
10	16.1	6.0
12	10.9	7.2
14	7.8	8.4
16	5.8	9.6

#### Zonal Lumen Summary

Zone	Lumens	% of Luminaire
0-30	580	79.9%
0-40	667	91.8%
0-60	710	97.9%
0-90	726	100%
90-180	0	0%
0-180	726	100%

#### Performance Data - Round

CCT Setting	Lumens	Watts	Lumens/Watt
2700K	726	8.9	81.7
3000K	771	8.9	86.8
3500K	818	8.9	92.1
4000K	843	8.9	94.8
5000K	839	8.9	94.4

#### Recommended Dimmers\*

Legrand Adorne softap DTP703TU  
 Lutron Caseta PD-6WCL  
 Lutron Caseta PD-10XN  
 Lutron Skylark SELV 300P  
 Leviton Decora 6672

\*Not a complete list.  
 Check compatibility before installation.

## Ordering Information

Example: DGC4120SRDWH

Series	Version	Input Voltage	CCT's	Shape	Trim Color
DGC4	1 (Version 1)	120 (V)	S (Selectable: 27, 30, 35, 40, 50K)	RD (Round)	WH (White)
					OB (Oil-Rubbed Bronze)

Specifications and dimensions subject to change without notice.

## Accessories

4" Rough In Template	ROUGHIN-TEMPLATE-4
10' Extension Cable	DRIVER-EXTCABLE-10
20' Extension Cable	DRIVER-EXTCABLE-20