

Kräus®

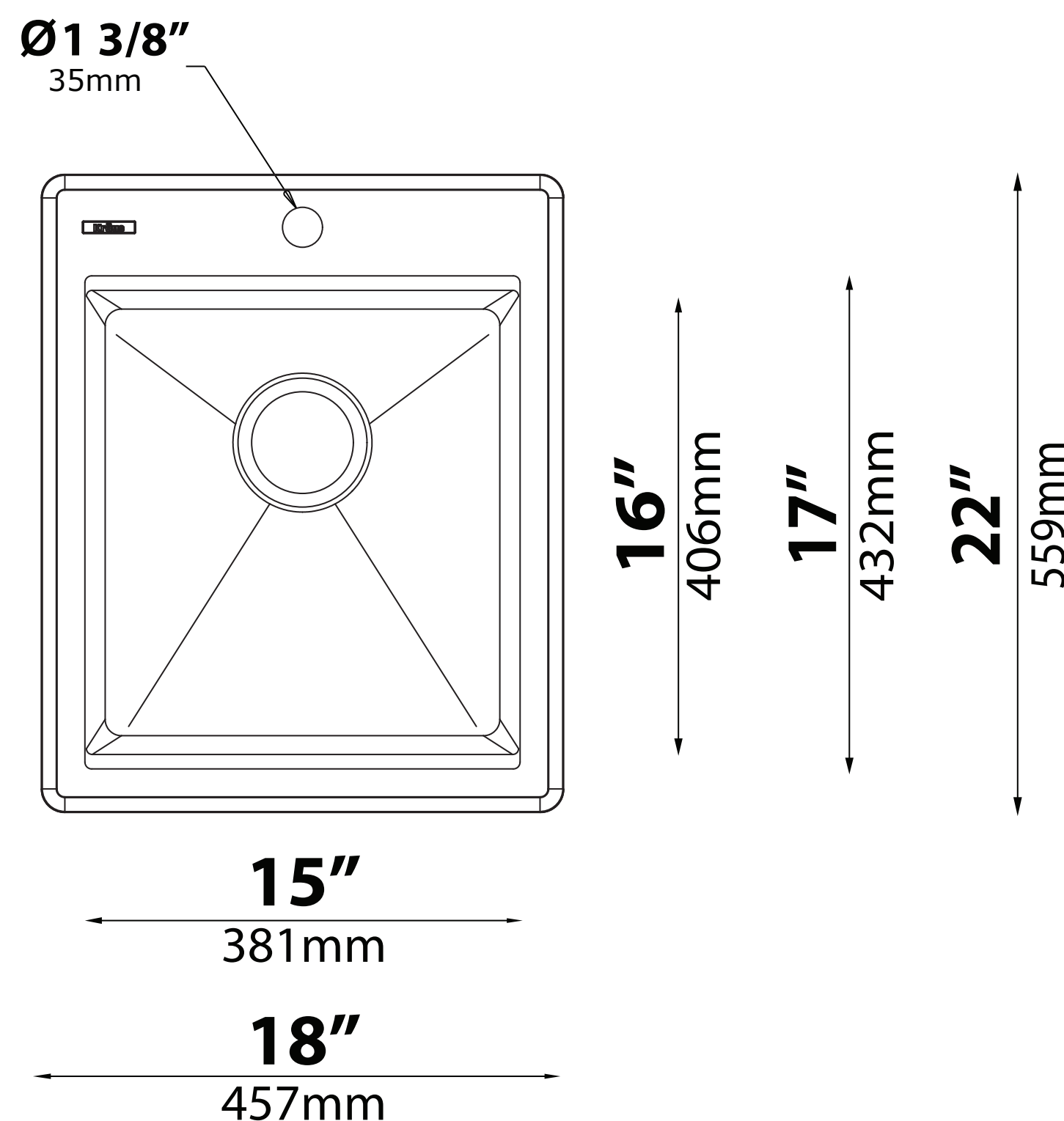
www.kraususa.com

**Model No.
KGTW12-18**

Top Mount Cut-out

Pro Hotline: 516.801.8955

Customer Service: 800.775.0703



NOTE: Cutout template is provided as a guide **ONLY** and must be checked against actual sink to verify correct fit.

RP:KP31056



8 40239 61338 7