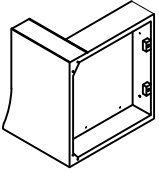
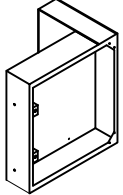
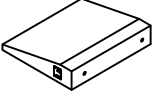
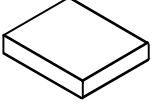
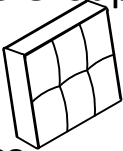
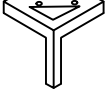







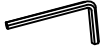

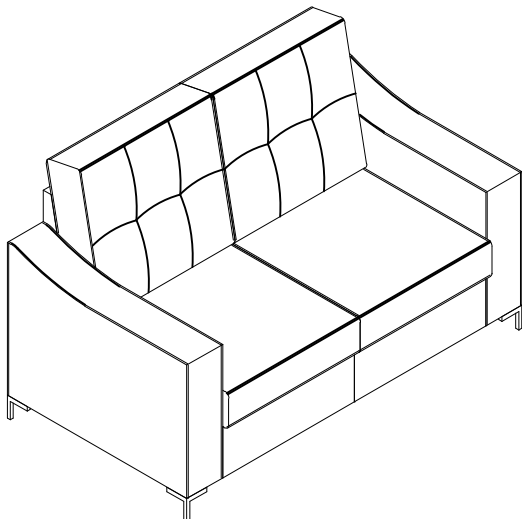


# ASSEMBLY INSTRUCTION

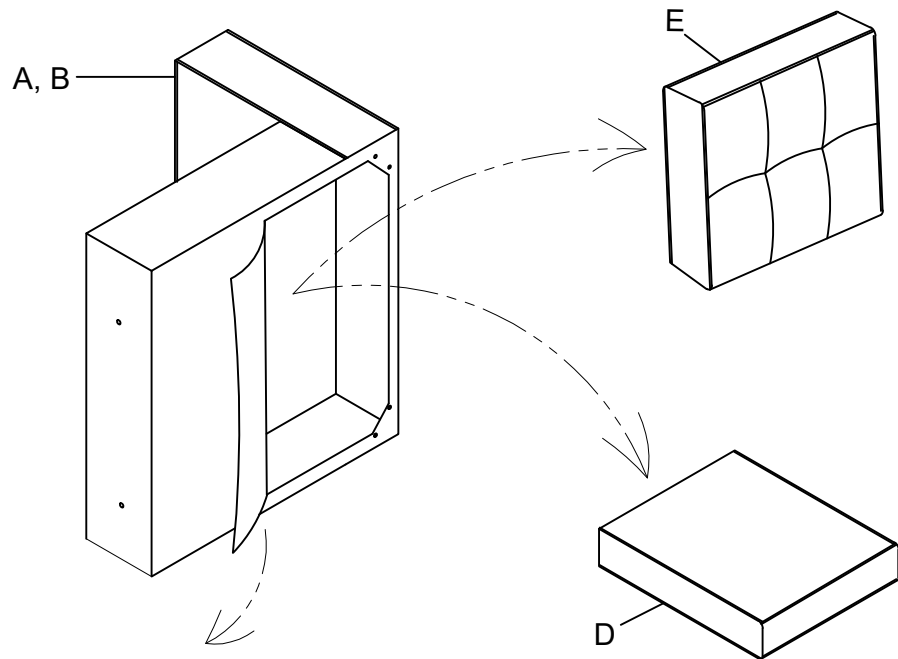
## E914-2/3 LOVESEAT / SOFA

<b>A</b> Left Group  1set	<b>B</b> Right Group  1set	<b>C</b> Seat Back  2pcs	<b>D</b> Seat Cushion (Underneath The Group)  2pcs
<b>E</b> Back Cushion (Underneath The Group)  2pcs	<b>F</b> Legs  4pcs	<b>G</b> Center Legs  2pcs	<b>H</b> Bolts $\text{Ø}5/16\text{''} \times 3\text{''}$  2pcs
<b>I</b> Bolts $\text{Ø}5/16\text{''} \times 1-5/8\text{''}$  12pcs	<b>J</b> Bolts $\text{Ø}5/16\text{''} \times 4\text{''}$  4pcs	<b>K</b> Lock Washer $\text{Ø}5/16\text{''} \times 13\text{mm}$  4pcs	<b>L</b> Flat Washer $\text{Ø}5/16\text{''} \times 19\text{mm}$  18pcs
<b>M</b> Hex Nut $\text{Ø}5/16\text{''} \times 12\text{mm}$  4pcs	<b>N</b> Allen Key $\text{Ø}5/16\text{''}$  1pc	<b>O</b> Wrench $\text{Ø}5/16\text{''}$  1pc	

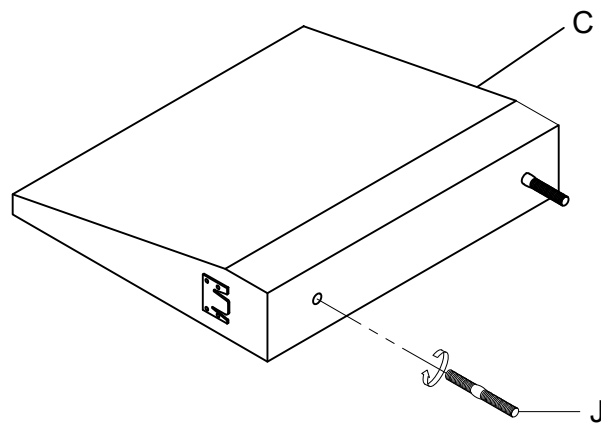


This page lists all the contents included in the box. Please take the time to identify the hardware as well as the individual components to this product. As you unpack and prepare for assembly, place the contents on a carpeted or padded area to protect them from damage.

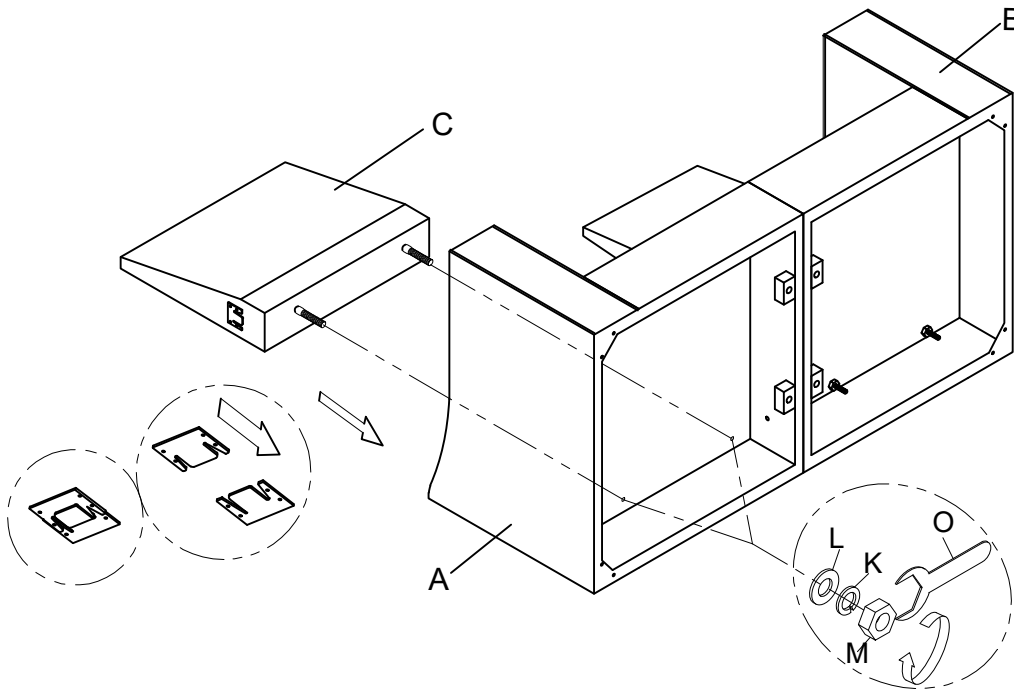
**1** Turn Left Group (A) and Right Group (B) over on a clean flat surface. Remove Seat Cushion (D) & Back Cushion (E) from the box underneath Left Group (A) and Right Group (B).



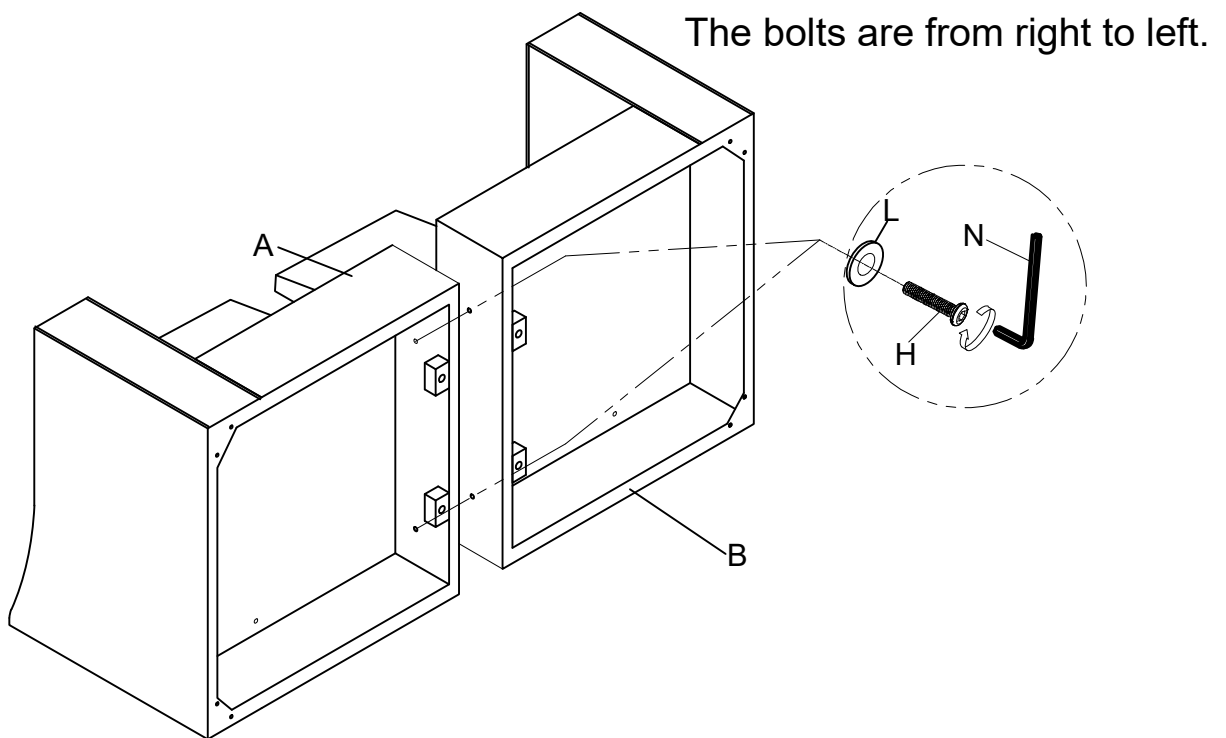
**2** Attach the Bolts (J) to the Seat Back (C).



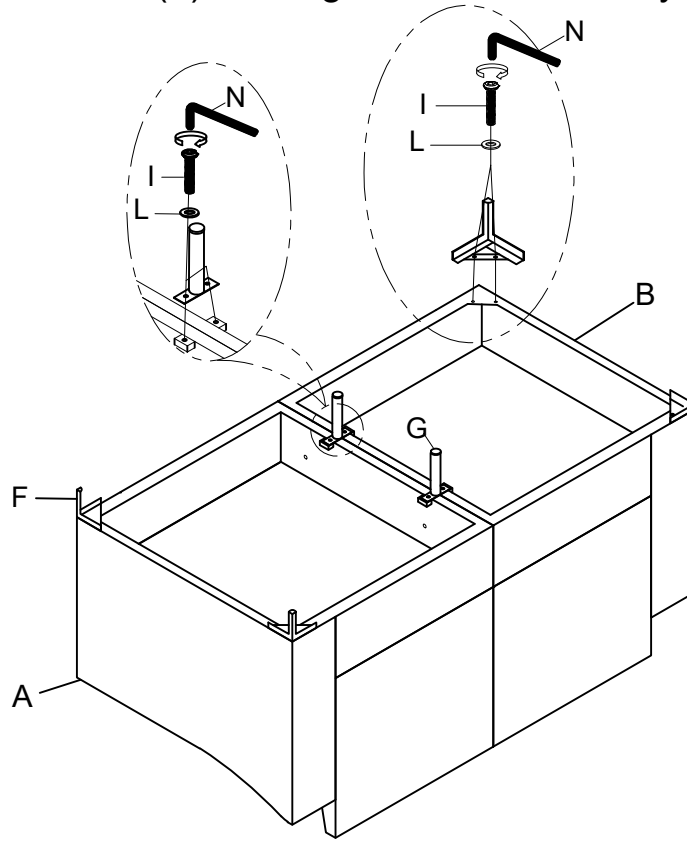
**3** Attach the Seat Back (C) to Left Group (A) and Right Group (B) by using Hex Nut (M), Lock Washer (K), Flat Washer (L), and tighten with Wrench (O).



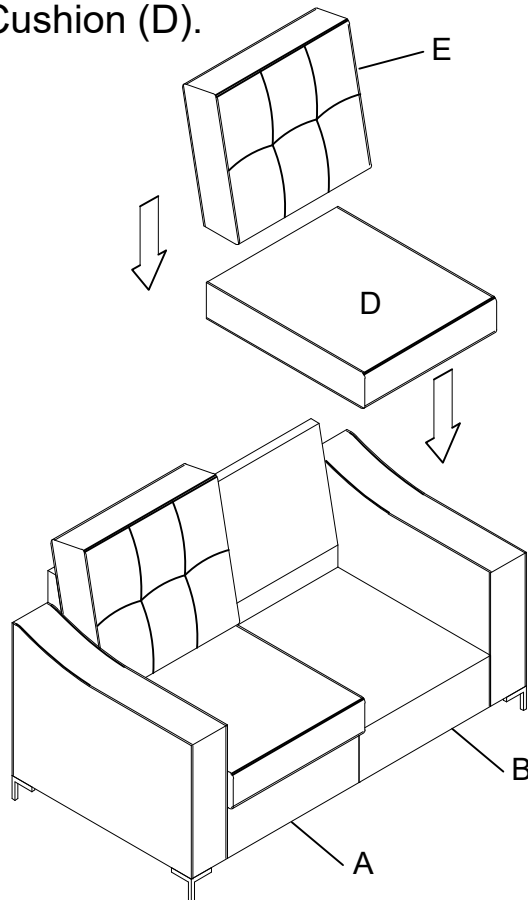
**4** Attach the Left Group (A) to Right Group (B) by using Bolts (H), Flat Washer (L), and Allen Key (N).



**5** Attach the Legs (F) and Center Legs (G) to Left Group (A) & Right Group (B) by using Bolts (I), Flat Washer (L), and tighten with Allen Key (N).



**6** Attach the Seat Cushion (D) on Left Group (A), Right Group (B) and then put Back Cushion (E) on Seat Cushion (D).



### Cleaning & Care

Treat surface with care. Surface is resistant to scratches but is not scratch resistant. Clean surfaces with a dry or damp soft cloth. Do not use abrasive cleaners. Hardware may loosen over time. Periodically check that all connections are tight.