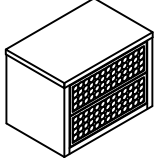
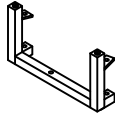
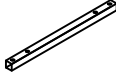








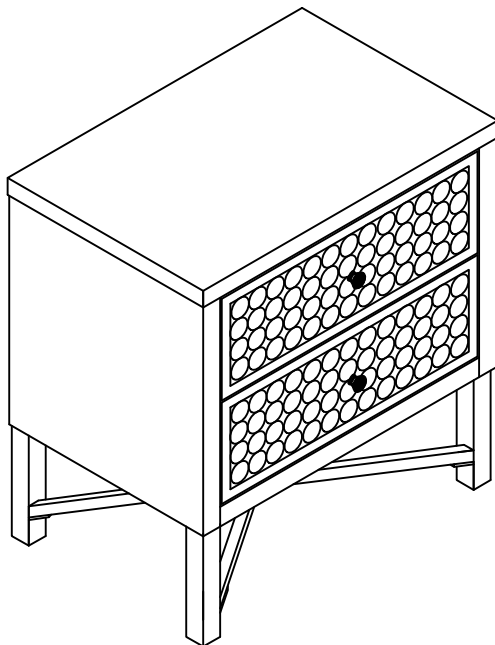


# ASSEMBLY INSTRUCTION

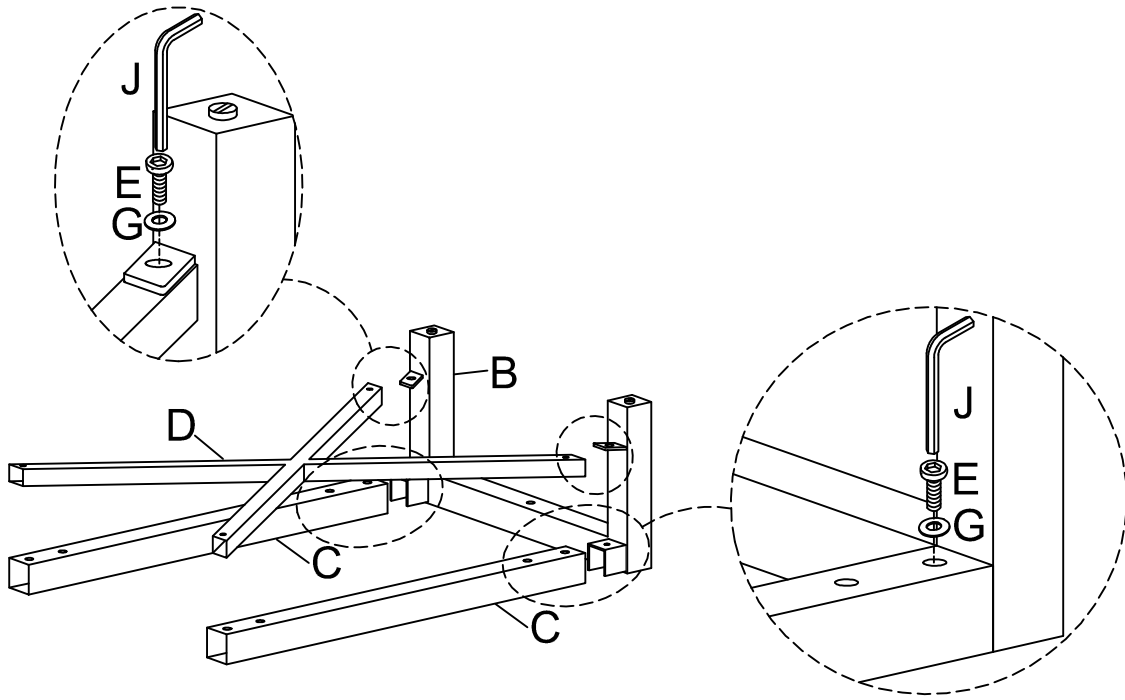
## ACCENT END TABLE

<b>A</b> End Table  1PC	<b>B</b> Leg Frame  2PCS	<b>C</b> Top Stretcher  2PCS	<b>D</b> Bottom Stretcher  1PC	<b>E</b> Small Bolt 1/4" x 5/8"  8PCS
<b>F</b> Large Bolt 5/16" x 1-7/8"  6PCS	<b>G</b> Flat Washer 3/4"  14PCS	<b>H</b> Handle  2PCS	<b>I</b> Screw 5/32" x 1-3/8"  2PCS	<b>J</b> Allen Key M4  1PC
<b>K</b> Allen Key M5  1PC				

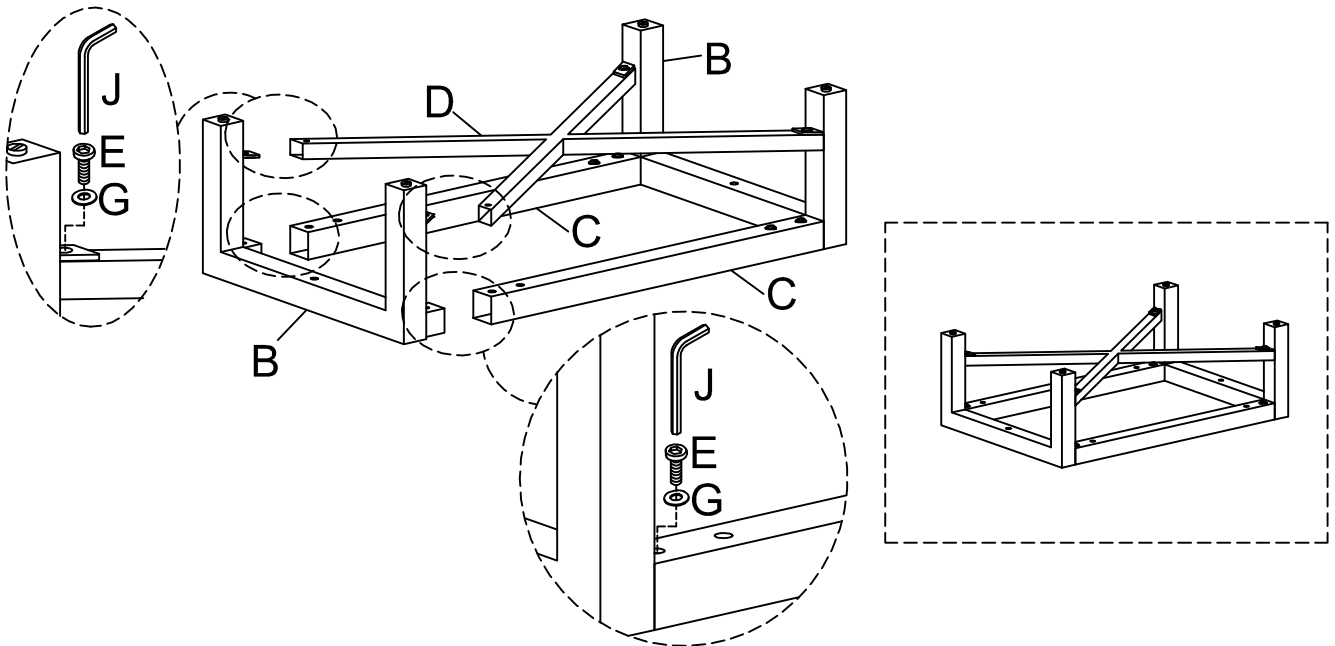


This page lists all the contents included in the box. Please take the time to identify the hardware as well as the individual components to this product. As you unpack and prepare for assembly, place the contents on a carpeted or padded area to protect them from damage.

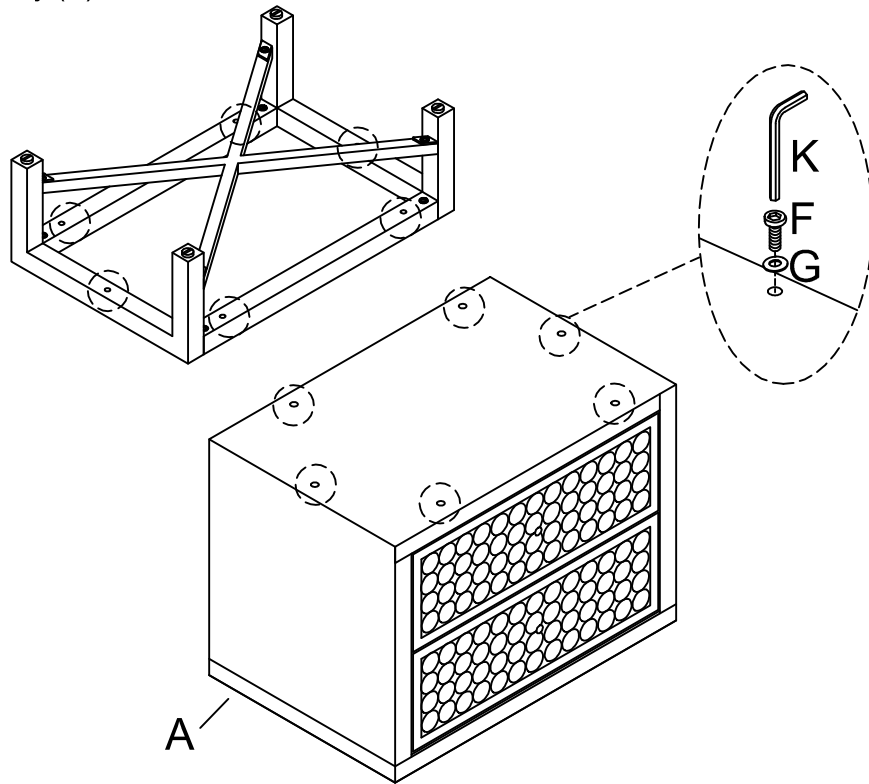
- 1** Insert Leg Frame (B) into Top Stretcher (C) and attach Bottom Stretcher (D) under Leg Frame (B) by using Flat Washer (G) and Small Bolt (E) with Allen Key (J).



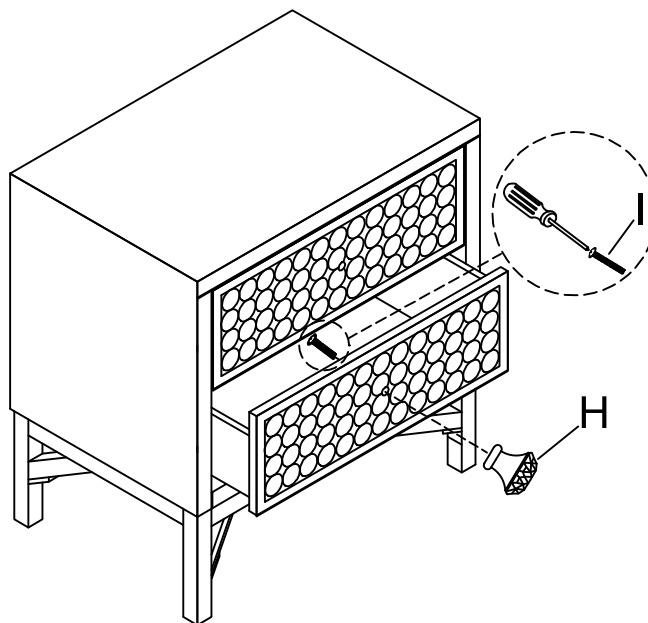
- 2** Insert Leg Frame (B) into Top Stretcher (C) and attach Bottom Stretcher (D) under Leg Frame (B) by using Flat Washer (G) and Small Bolt (E) with Allen Key (J).



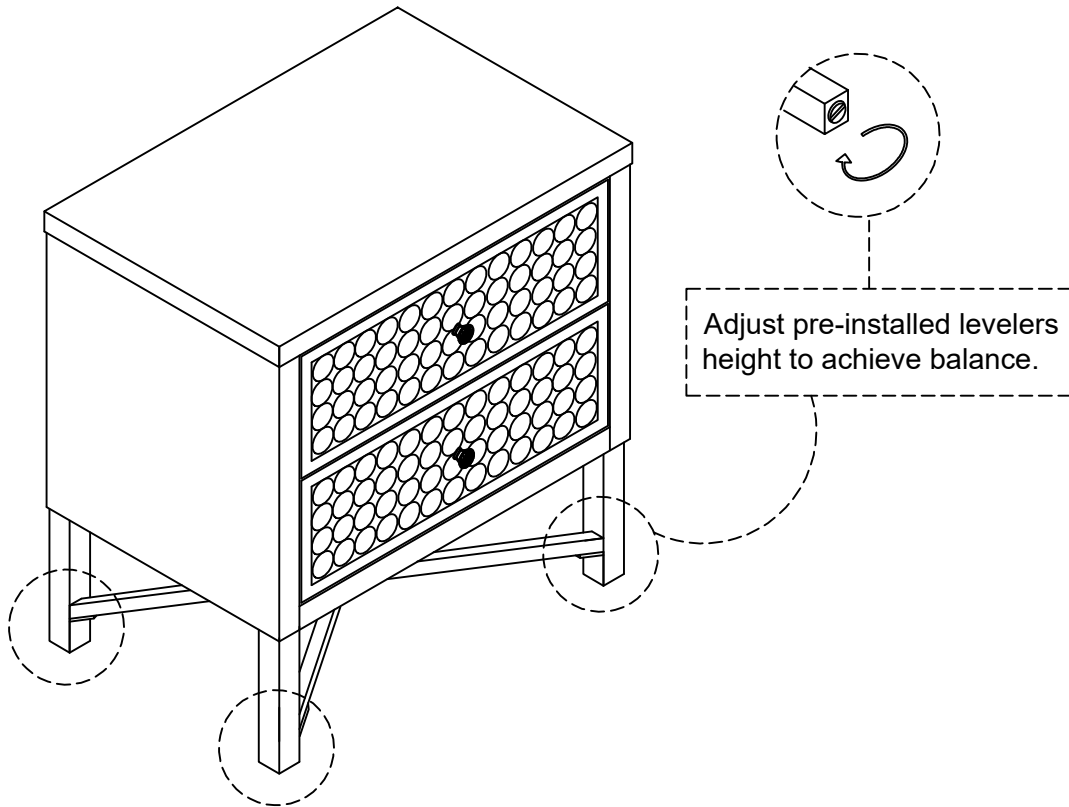
- 3** Attach the assembled frame to the bottom of End Table (A) by using Flat Washer (G) and Large Bolt (F) with Allen Key (K).



- 4** Remove the Handle (H) and Screw (I) from the inside of the drawers and attach on the fronts by using Screw (I) and screwdriver (not provided).



- 
- 5** With assistance of your adult partner, stand the End Table up. Adjust the pre-installed levelers on the bottom of Leg Frame (B) until the End Table is level with ground.



---

#### Cleaning & Care

Treat surfaces with care. Surfaces are resistant to scratches but are not scratch resistant. Clean surfaces with a dry or damp soft cloth. Do not use abrasive cleaners. Hardware may loosen over time. Periodically check that all connections are tight.