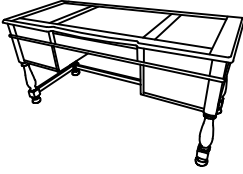


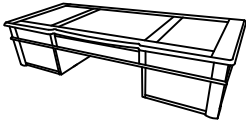
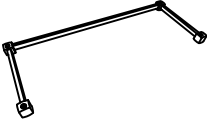




HEKMAN®

A HOWARD MILLER COMPANY

8-1245 WRITING DESK

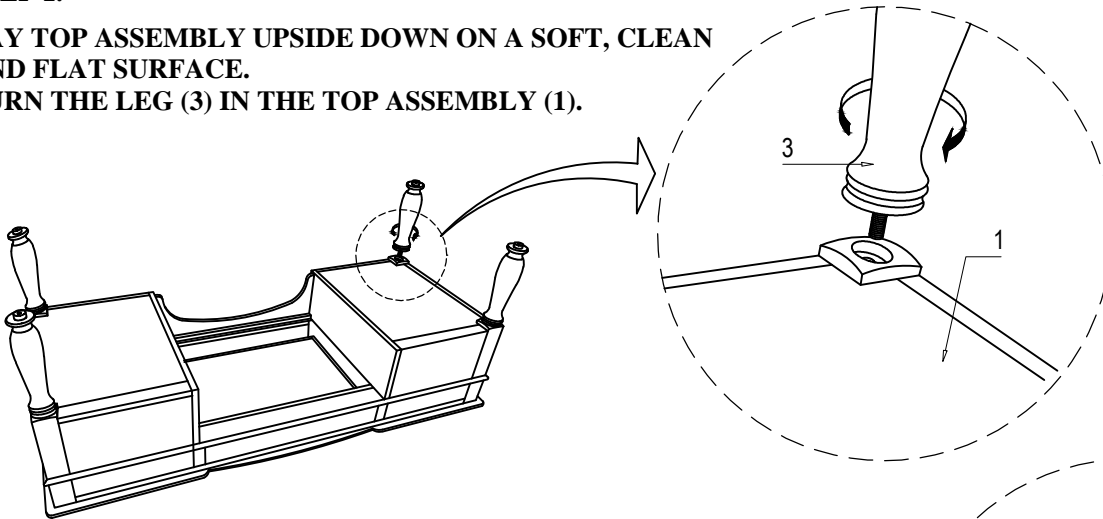
HARDWARE LIST		
A	B	
LION HANDLE (FOR LOWER DRAWER) (2 PCS.)	BOLT M4 X 30 mm (FOR LION HANDLE) (2 PCS.)	
		

PART INSIDE			
1	2	3	4
TOP ASSEMBLY (1 Pc)	STRETCHER ASSEMBLY (1 Pc)	LEG (4 Pcs)	BUN FEET (4 Pcs)
			

Assembly Instruction

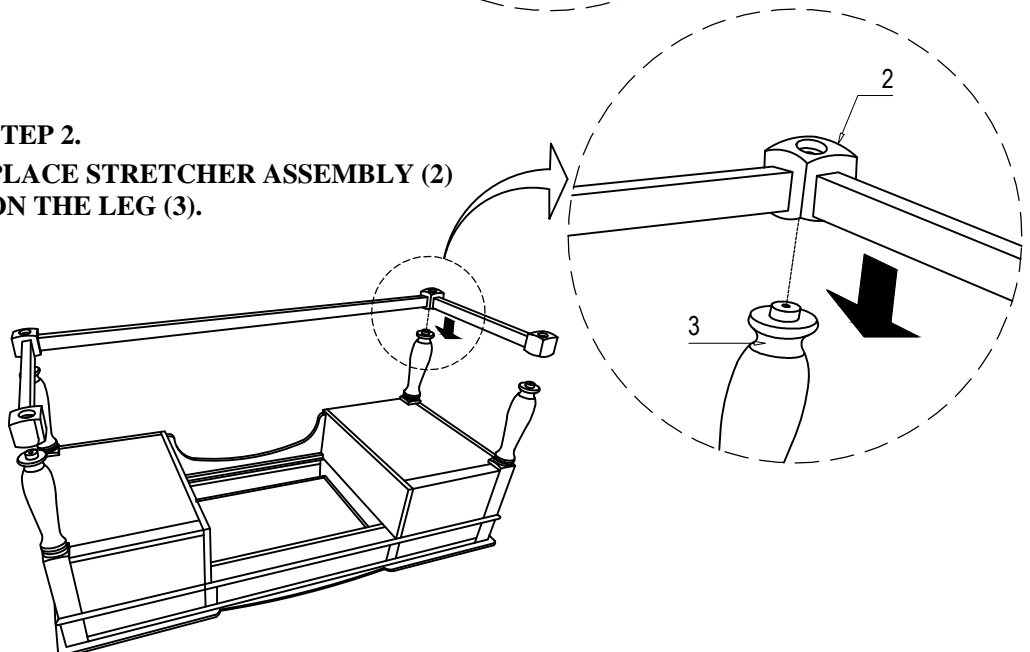
STEP 1.

LAY TOP ASSEMBLY UPSIDE DOWN ON A SOFT, CLEAN AND FLAT SURFACE.
TURN THE LEG (3) IN THE TOP ASSEMBLY (1).



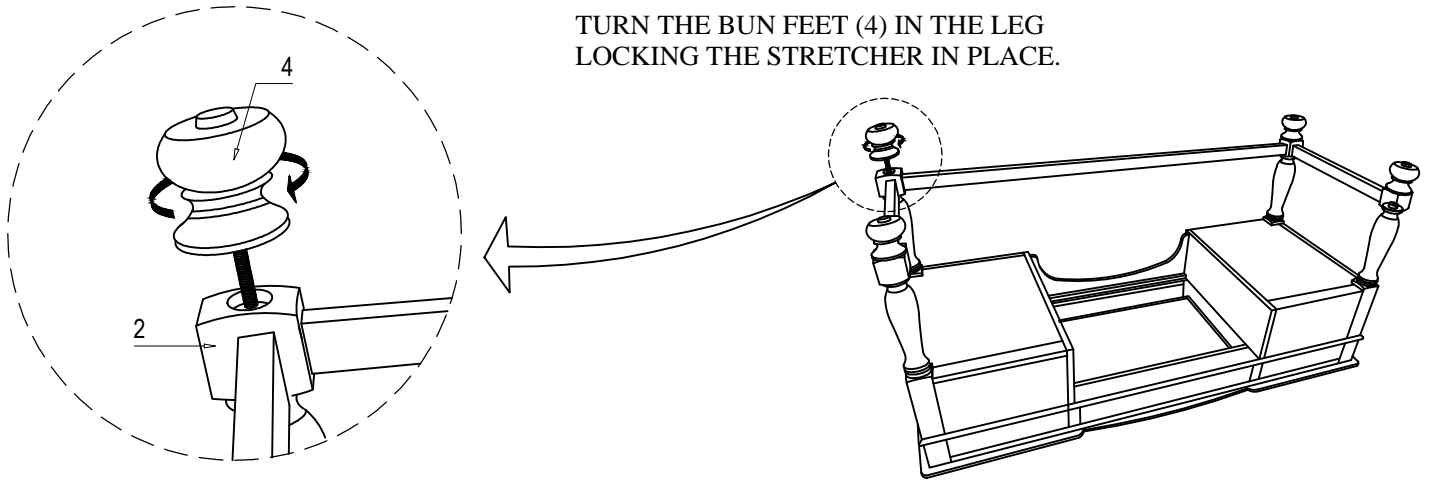
STEP 2.

PLACE STRETCHER ASSEMBLY (2)
ON THE LEG (3).



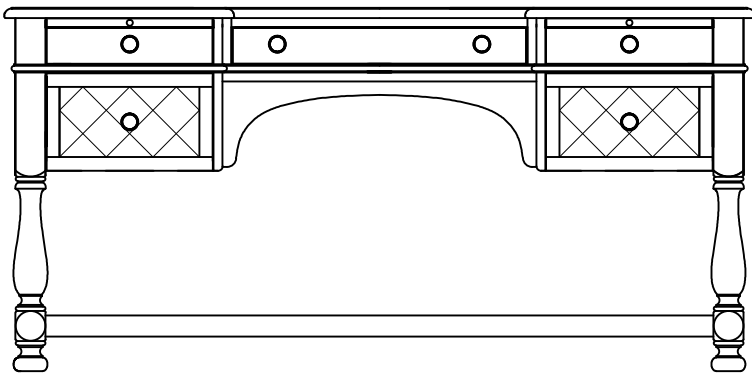
STEP 3.

TURN THE BUN FEET (4) IN THE LEG
LOCKING THE STRETCHER IN PLACE.



STEP 4.

THE HANDLE IS ATTACHED WHEN THE ITEM IS DELIVERED.



STEP 5.

THE COSTUMER CAN CHANGE THE POSITION OF THE LOWER
DRAWER WITH THE LION HANDLE (1).

