

## Iron/Impressions® | K-3049-1

31" Enameled cast iron vanity top with integrated rectangular sink

### Features

- Single faucet hole
- Sloped-wall rectangular basin



### Sustainability



### Available Colors/Finishes

*Color tiles intended for reference only.*

0	White
FF	Sea Salt
96	Biscuit
NY	Dune
95	Ice Grey
FT	Basalt
R1	Roussillon Red
7	Black Black
GRL	Lavender Grey
DGB	Indigo Blue
PLM	Black Plum



## Codes/Standards

ASME A112.19.1/CSA B45.2

---

## Technical Information

Number of Deck Holes:	1
Faucet Hole(s) Size:	1-3/8" (35 mm)
Drain Hole Diameter:	1-3/4" (44 mm)
Basin Configuration:	Single Bowl
Basin Length:	20-7/8" (530 mm)
Basin Width:	14-1/2" (368 mm)
Basin Depth:	4-1/2" (114 mm)

---

## Material

- KOHLER® enameled cast iron
- 

## Recommended Products/Accessories

K-23726 Drain treatment

K-9018 Adjustable P-trap with long tubing outlet, 1-1/4" x 1-1/4"

K-23725 Cast iron cleaner

---

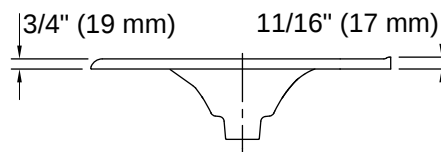
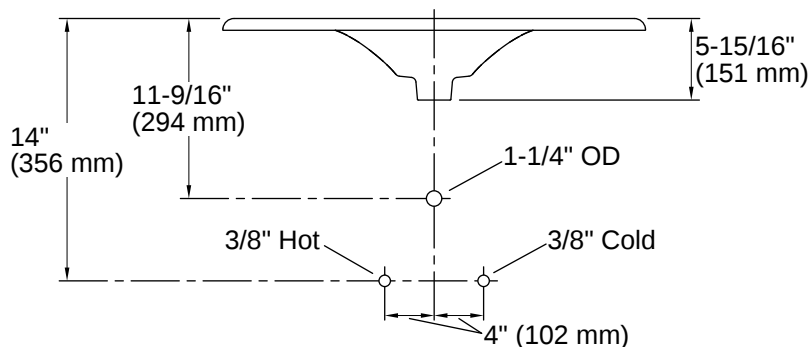
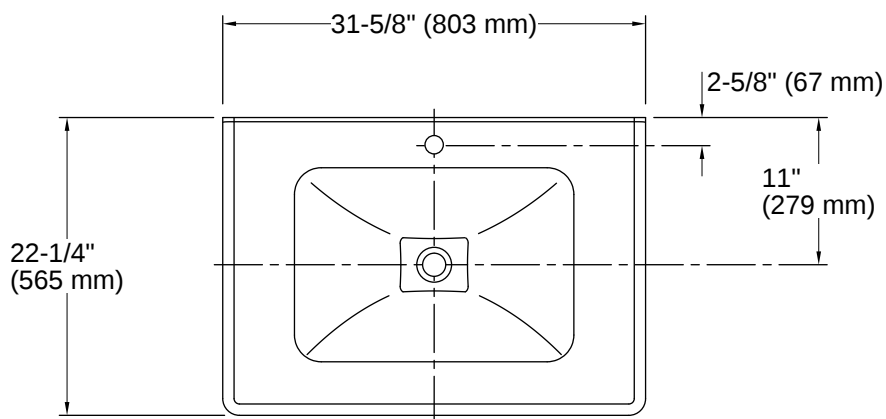
## Warranty

*See website for detailed warranty information.*

KOHLER® Enameled Cast Iron Kitchen and Bathroom Sink Lifetime Limited Warranty



1-800-4KOHLER (1-800-456-4537)  
Kohler Co. reserves the right to make revisions without notice to product specifications.  
For the most current specification sheet, go to [www.kohler.com](http://www.kohler.com) USA or [www.kohler.ca](http://www.kohler.ca) Canada.  
4-15-2026 1:5 - US-CA



## Installation

- Vanity top

## Installation Notes

*Install this product according to the installation instructions.*

NOTE: When selecting a faucet for this bathroom sink, ensure the faucet has a spout reach of 4-1/2" (114 mm) to 5" (127 mm) and has a spout height of 3" (76 mm) to 6" (152 mm).

Product does not have an overflow.

