

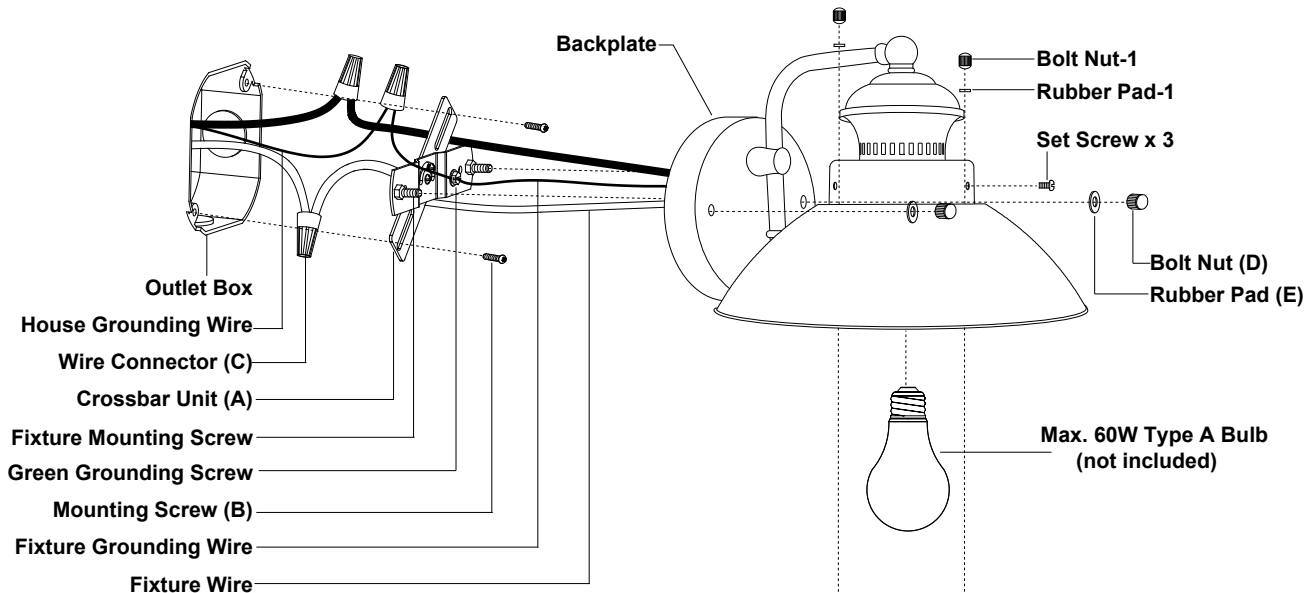
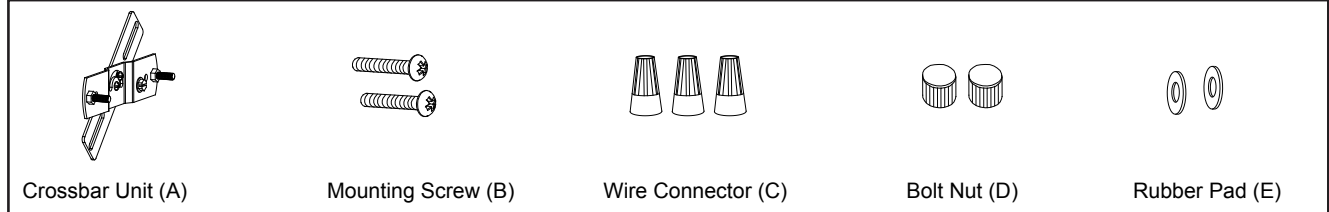
# ASSEMBLY AND INSTALLATION INSTRUCTIONS

T0268 / OW21581BBZ / OW21581TB / OW21593BN

**WARNING: Turn off the main power at circuit breaker before installing fixture.**  
**AVERTISSEMENT: Coupez la source d'alimentation principale au panneau central de disjoncteurs avant d'installer le luminaire.**

**NOTE: 1. Before installing, consult local electrical codes for wiring and grounding requirements.**  
**2. Read and save these instructions.**

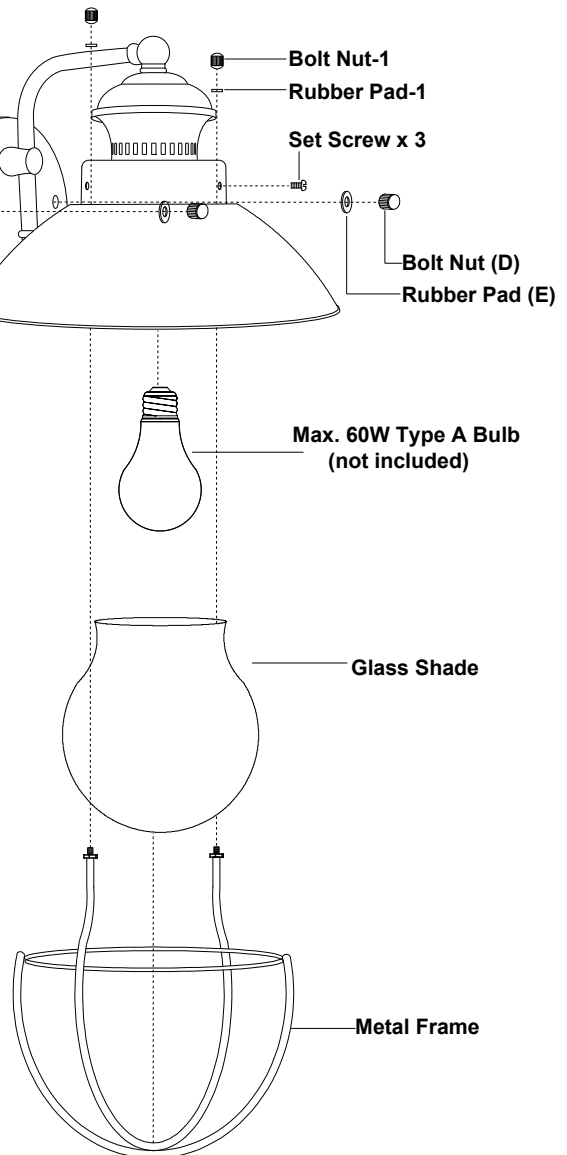
## Hardware Package (included):



## Installation Steps

Turn off the power at fuse or circuit box

1. Unscrew the two bolt nuts (D). Remove the two rubber pads (E) and the crossbar unit (A) from the backplate.
2. Attach the crossbar unit (A) to the outlet box using two mounting screws (B). Adjust the length of the preinstalled fixture mounting screws if necessary.  
**Note: Make sure that the fixture mounting screws are lined up horizontally to make the fixture level.**
3. Install a bulb (not included). Check relamping label at socket area or packaging for maximum wattage allowed.



- Pull out the source wires from the outlet box. Make wire connections using wire connectors (C) as follows:
  - Connect the hot wire (black insulation) from the fixture to the black wire from the power source.
  - Connect the neutral wire (white insulation) from the fixture to the white wire from the power source.
  - Attach the fixture ground wire (bare wire) to the crossbar unit (A) with the green ground screw, then depending on local code, connect it to the house ground wire with the wire connector (C).
 Carefully put all of the wires back into the outlet box.

- Fasten the glass shade with three set screws.

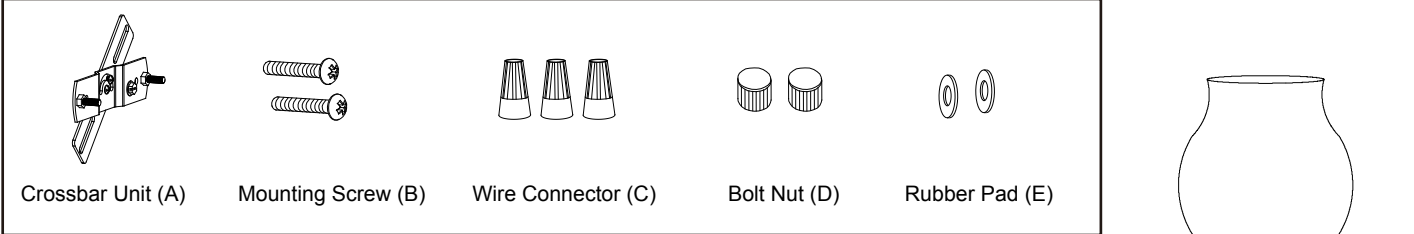
**Note: Please tighten the set screws appropriately to avoid damaging the glass shade.**

- Place the metal frame onto the glass shade carefully, then attach the metal frame to the fixture by using two bolt nuts-1 and rubber pads-1.

Turn on the power at fuse or circuit box

The following parts are available for reorder if damaged or missing.

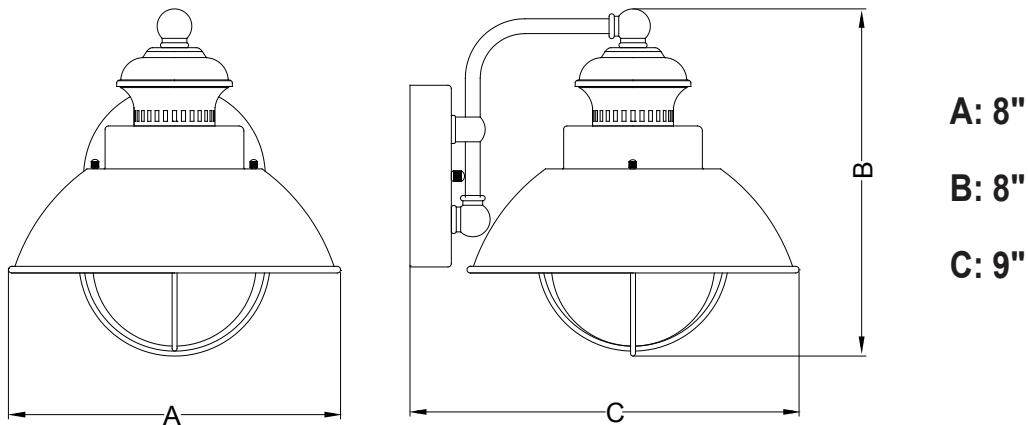
**Spare Parts List:**



Crossbar Unit (A)    Mounting Screw (B)    Wire Connector (C)    Bolt Nut (D)    Rubber Pad (E)

↑ Mounting Hardware  
 5144MM (1SET) for T0268  
 5419MM (1SET) for OW21581BBZ  
 5418MM (1SET) for OW21581TB  
 6270MM (1SET) for OW21593BN

Glass Shade 62480S



### 1 Year Warranty

Vaxcel warrants all of our products against defects in workmanship and finishes for one year following the date of shipment.

*Exclusions: This warranty does not include the failure of products from extreme acts of nature; environmental conditions not suited for the products intended use; operation in temperatures outside of the range specified in the instruction manual; usage with improper power supply, power surges or dips. For coastal locations, some corrosion is considered normal for the environment.*

*Vaxcel reserves the right to repair, replace or issue a credit for any properly installed product, provided it is returned per RMA instruction. This warranty is limited to the cost of the product only and does not extend to transportation, installation or replacement costs.*

How can warranty service be obtained?

info@vaxcel.com  
1-800-482-9235