

BRIZO®

BODY SPRAY

■ 1/2" Rough-In

FEATURES:

- Touch-Clean® Spray Holes

STANDARD SPECIFICATIONS

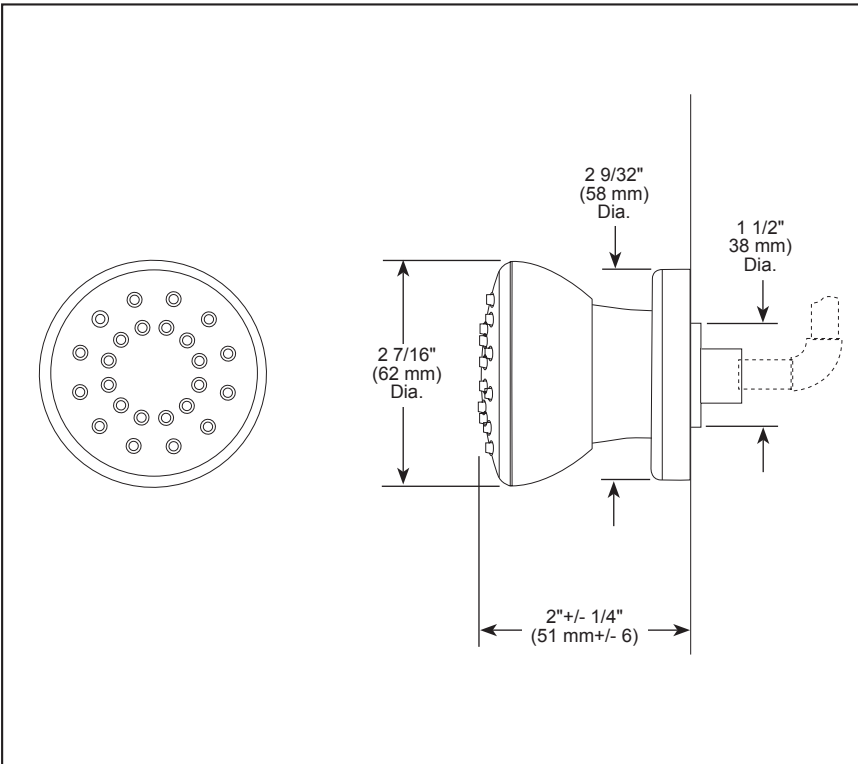
- Max. flow rate 1.75 gpm @ 80 psi, 6.6 L/min @ 550 kPa
- 1/2" rough-in*
- 30° up and down adjustment
- Solid brass construction
- Matching finish spray face
- *Note: This installation requires a 1/2" male threaded pipe fitting to extend 1/4" beyond the finished surface.

WARRANTY

- Parts and Finish - Lifetime limited warranty; or for commercial purchasers, 10 years for multi-family residential (apartments and condominiums) and 5 years for all other commercial uses, in each case from the date the product is received by the original purchaser or their authorize representative (installation contractor, etc.).
- Please go to www.brizo.com for the complete details of our limited warranty.

COMPLIES WITH:

- ASME A112.18.1 / CSA B125.1



▲ Designate proper finish suffix