

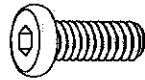
# ASSEMBLY INSTRUCTION

## TV STAND

**A** Allen Wrench    **B** Bolt    **C** Leg    **D** Top Panel



1PC



16PCS



4PCS



1PC

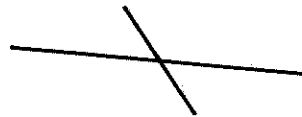
**E** Shelf Panel    **F** Shelf Panel    **G** Cross Bar



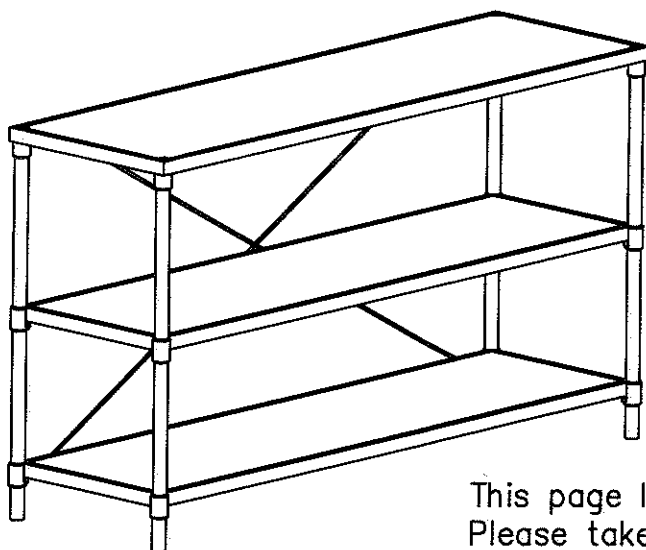
1PC



1PC

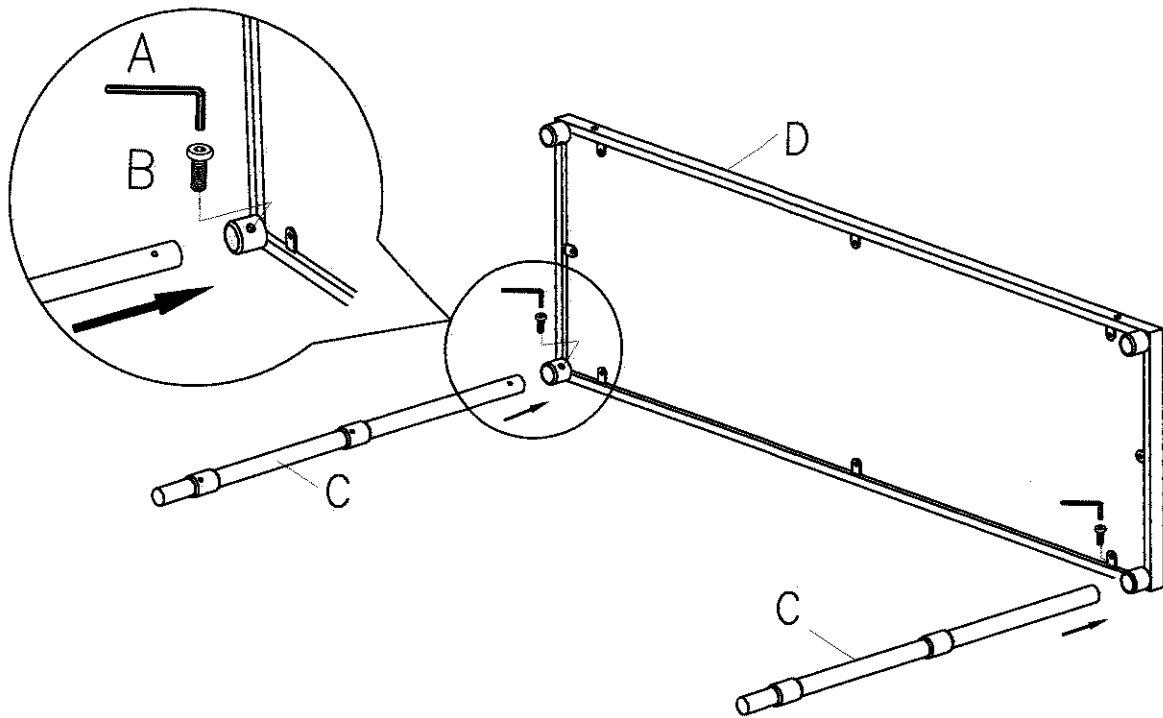


1PC

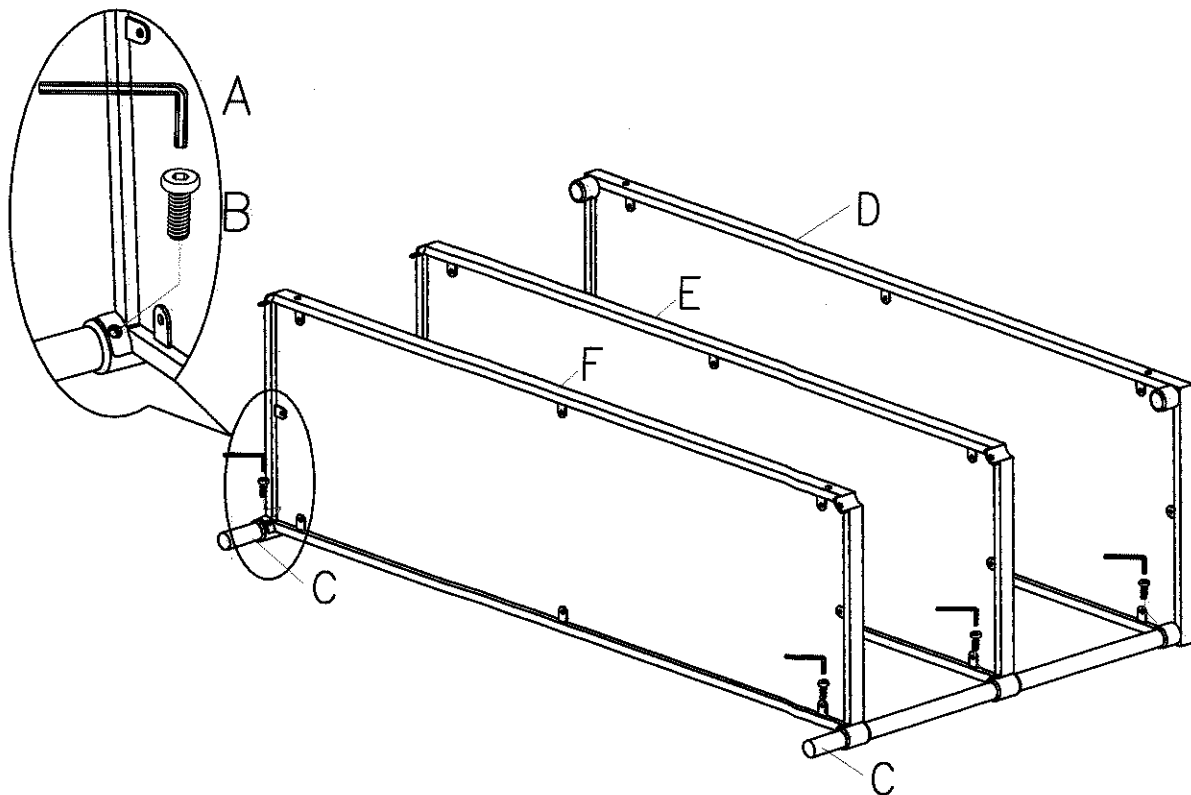


This page lists all the contents included in the box. Please take the time to identify the hardware as well as the individual components to this product. As you unpack and prepare for assembly, place the contents on a carpeted or padded area to protect them from damage.

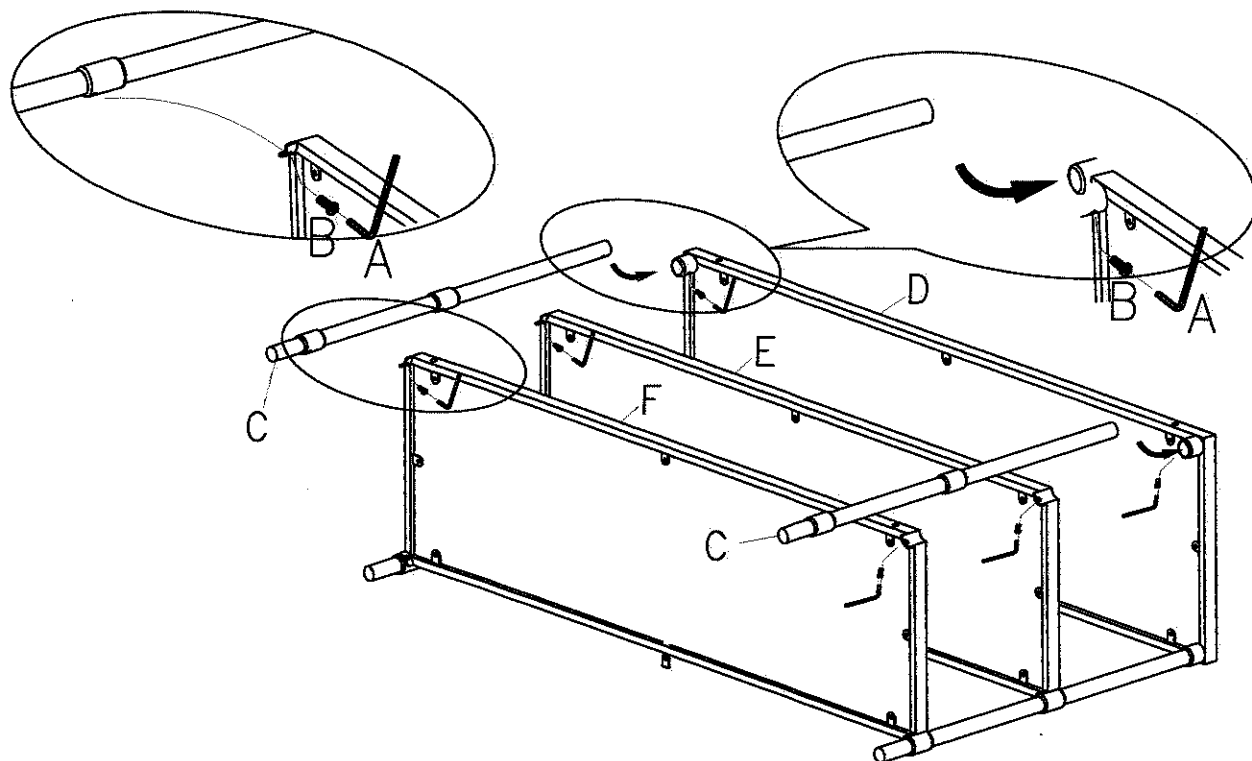
**1** Assembly the Leg(C) onto the Top Panel(D), then using the Bolt(B) by Allen Wrench(A).



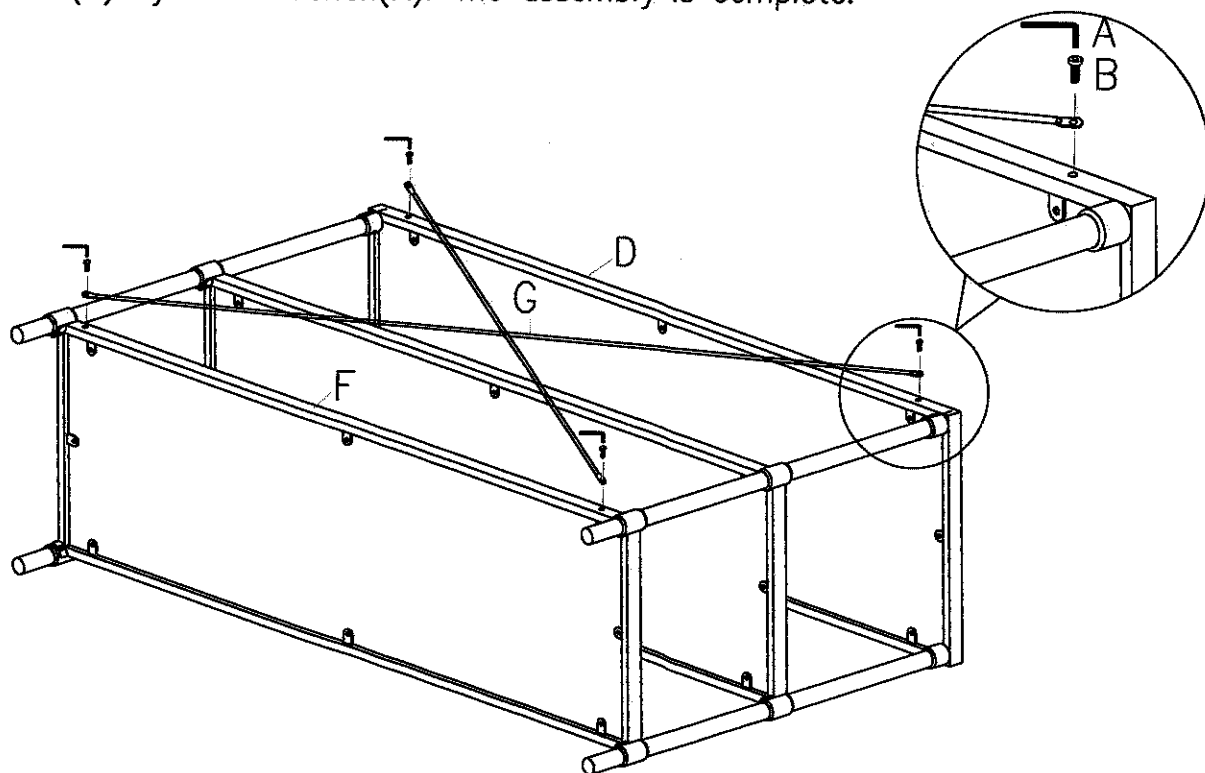
**2** Assembly the Shelf Panel(E) & Shelf Panel(F) onto the Leg(C), then using the Bolt(B) by Allen Wrench(A).



- 3** Assembly the Leg(C) onto the Top Panel(D) and Shelf Panel(E) & Shelf Panel(F), then using the Bolt(B) by Allen Wrench(A).



- 4** Assembly the Cross Bar(G) onto the Top Panel(D) and Shelf Panel(F), then using the Bolt(B) by Allen Wrench(A). The assembly is complete.



### Cleaning & Care

Treat surface with care. Surface is resistant to scratches but is not scratch resistant. Clean surfaces with a dry or damp soft cloth. Do not use abrasive cleaners. Hardware may loosen over time. Periodically check that all connections are tight.