

ASSEMBLY INSTRUCTION

EIFFEL BASE DINING TABLE

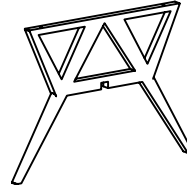
A Top



(Wood Top) OR (Glass Top)
(not include in this carton)

1 PC

B Upper Base



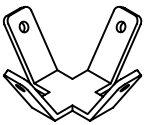
1 PC

C Lower Base



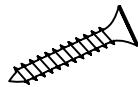
1 PC

D Crossed Metal



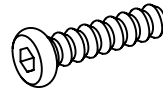
1 PC

E Screw
5/32", 16mm



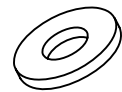
4 PCS

F Bolt
Ø1/4" * 1-5/8"



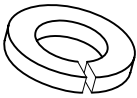
4 PCS

G Flat Washer
Ø1/4" * 16mm



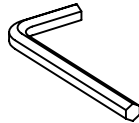
4 PCS

H Lock Washer
Ø1/14" * 11mm

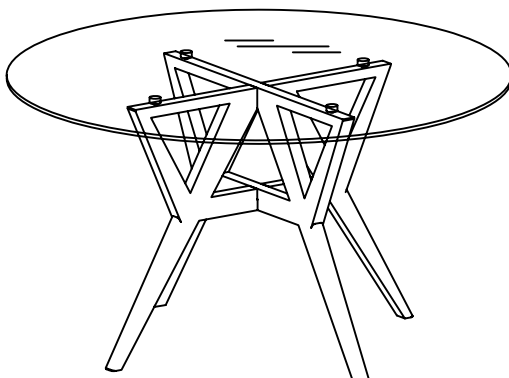
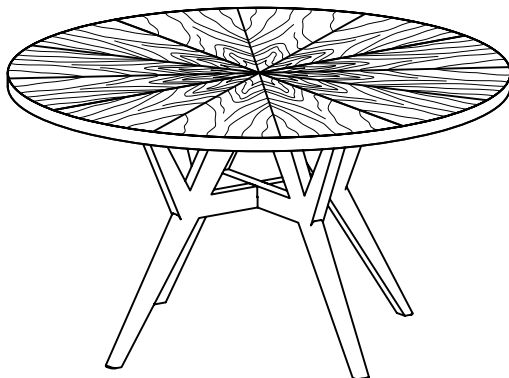


4 PCS

I Allen Wrench
4mm

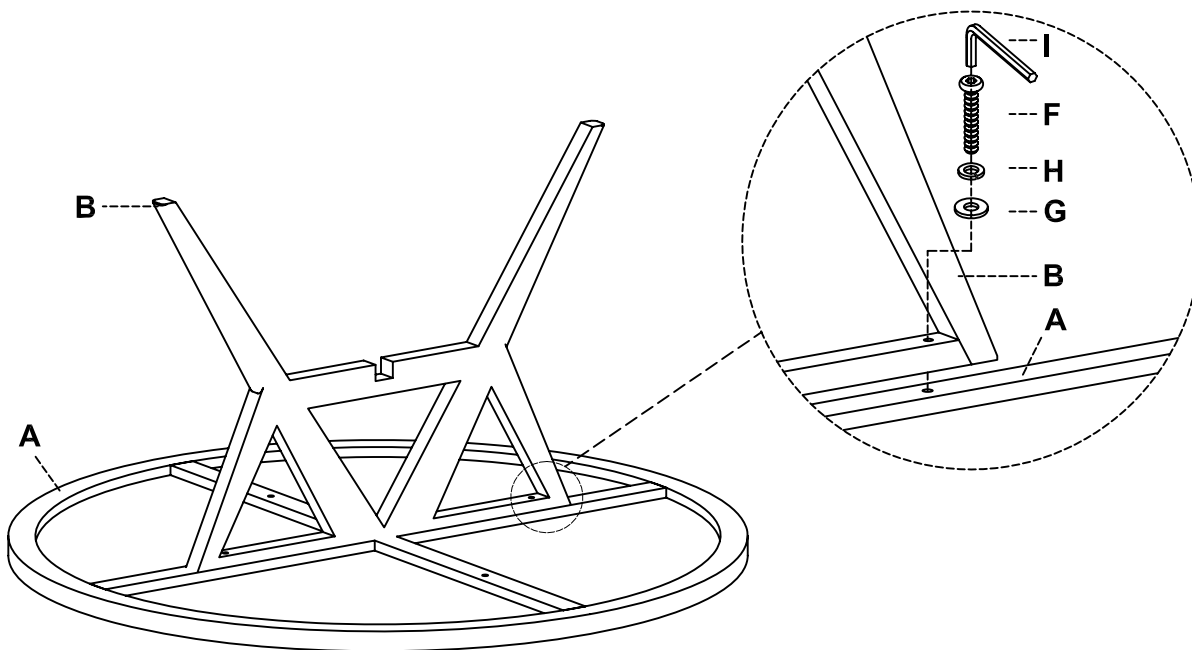


1 PC

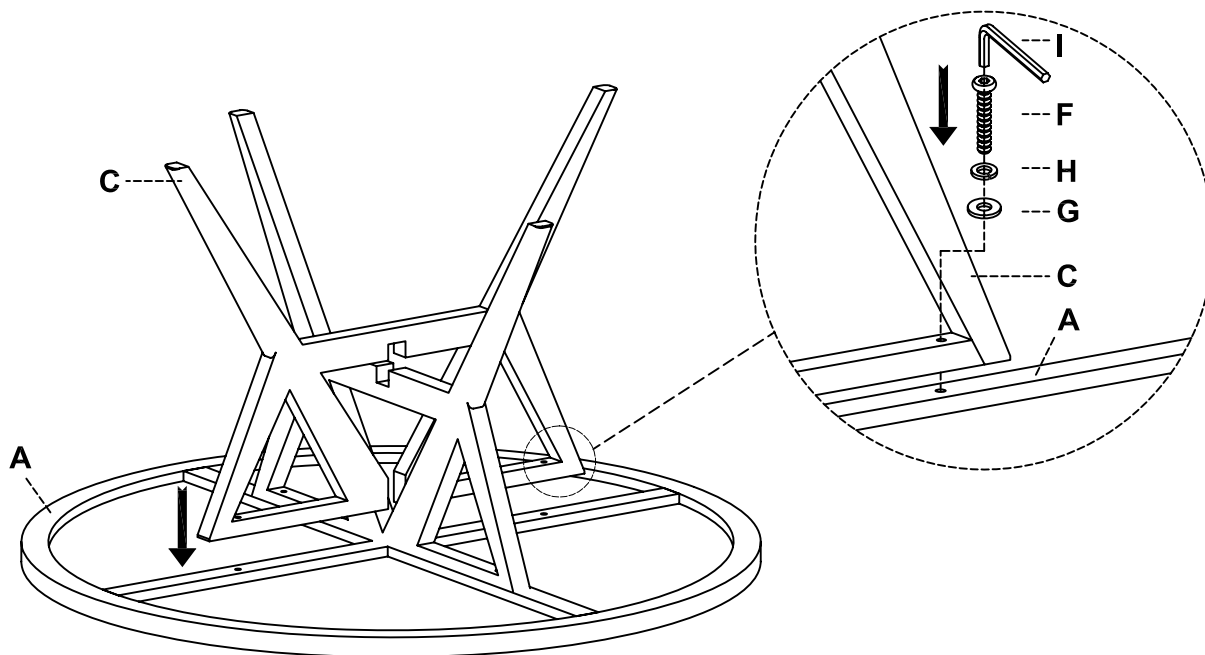


This page lists all the contents included in the box. Please take the time to identify the hardware as well as the individual components to this product. As you unpack and prepare for assembly, place the contents on a carpeted or padded area to protect them from damage.

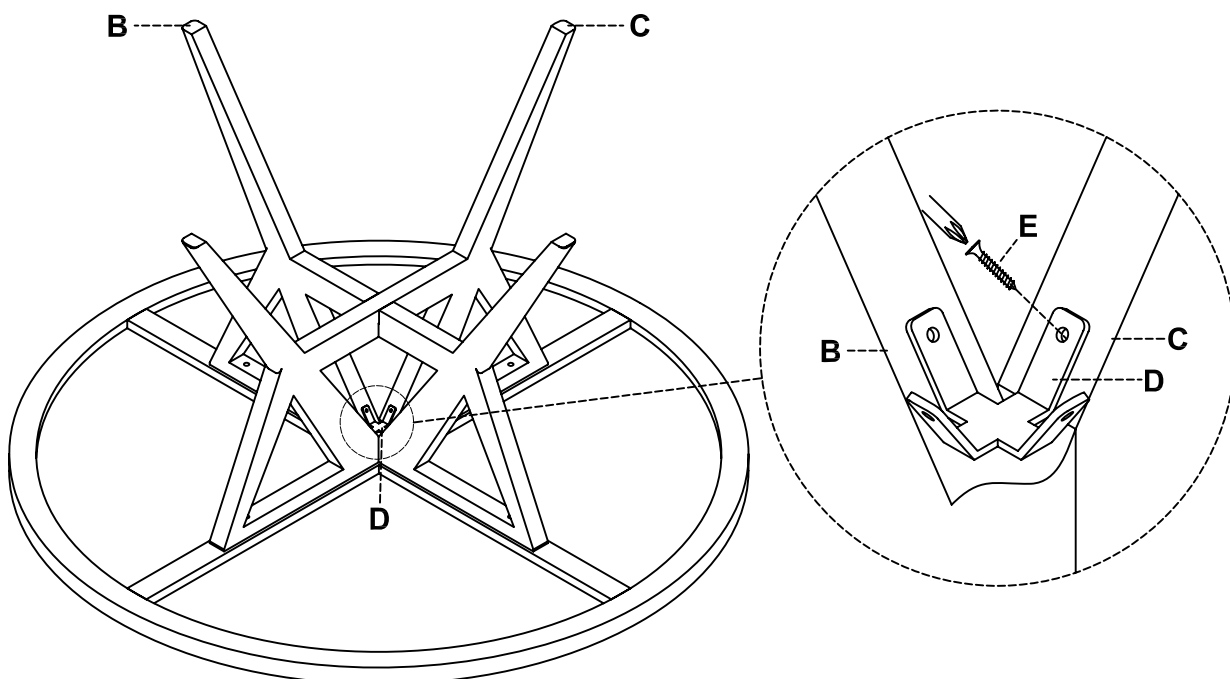
1 Assemble Upper Base (B) to the Top (A) and using the Bolt (F), Lock Washer (H) and Flat Washer (G) by Allen Wrench (I).



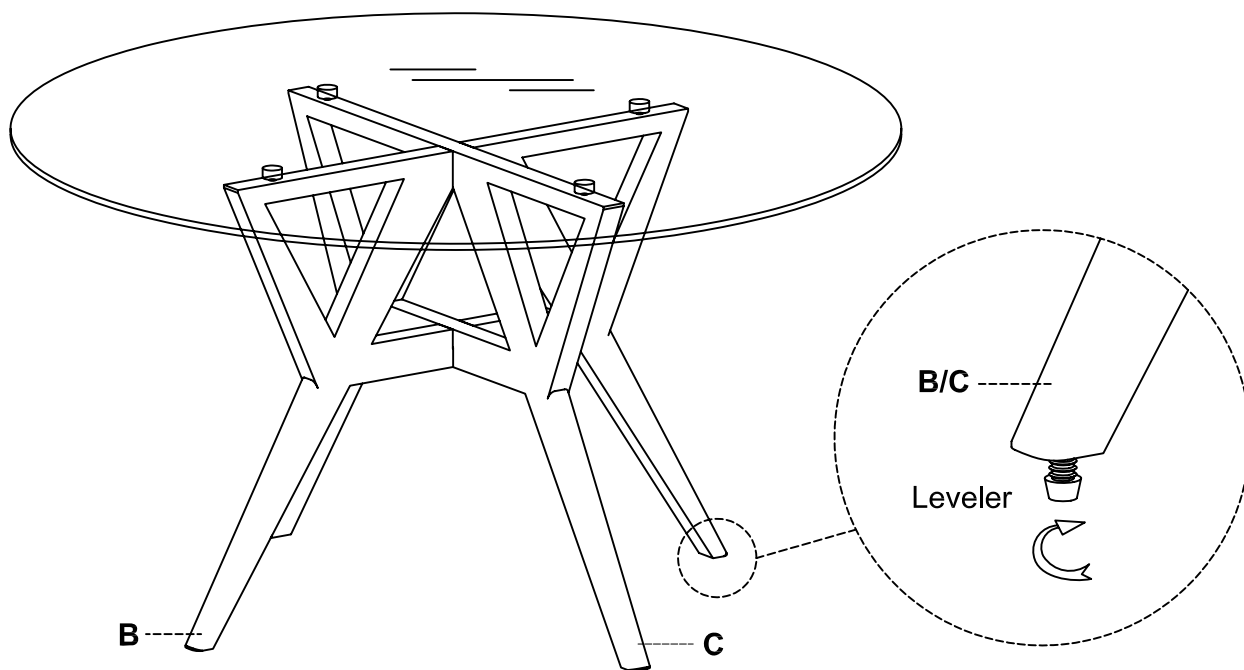
2 Assemble Lower Base (C) to the Top (A) and using the Bolt (F), Lock Washer (H) and Flat Washer (G) by Allen Wrench (I).



3 Assemble Crossed Metal (D) to the Base (B/C) and using the Screw (E).



4 Through the leveler on the bottom of Base (B/C) to reach the aim of keeping balance of the product.



Cleaning & Care

Treat surface with care. Surface is resistant to scratches but is not scratch resistant. Clean surface with a dry or damp soft cloth. Do not use abrasive cleaners. Hardware may loosen over time. Periodically check that all connections are tight.