
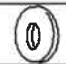
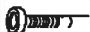



# HEKMAN

## ASSEMBLY INSTRUCTIONS

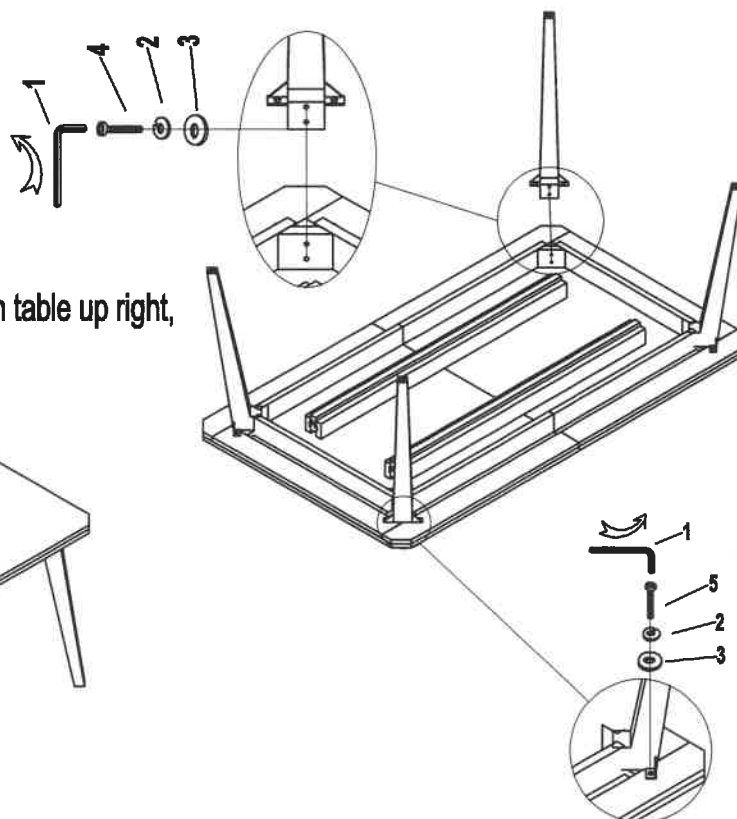
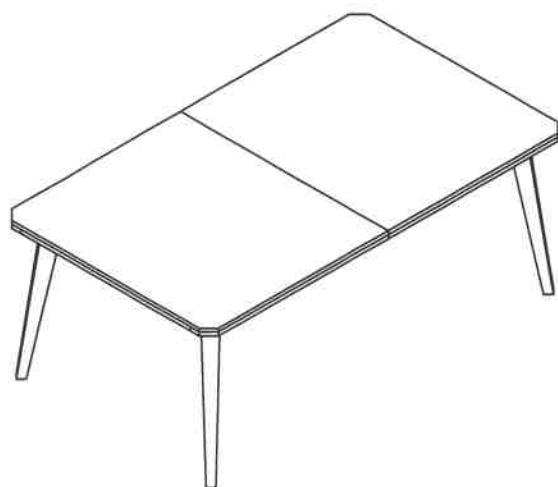
24320-Rec Dining Table Splayed leg

A HOWARD MILLER COMPANY

HARDWARE LIST				
NO.	DESCRIPTION	SKETCH	DIMENSION	QTY
1		ALLEN WRENCH	5MMxL75mm	1pc
2		SPRING WASHER	Ø5/16"	16pcs
3		FLAT WASHER	Ø5/16"(19mm)	16pcs
4		BOLT	Ø5/16"x 51mm	8pcs
5		BOLT	Ø5/16"x 19mm	8pcs

- STEP 1:**
- Lay table top face down on a soft clean surface.
  - Attach metal legs to the table top with bolt #4, lock washer #2, and flat washer #3, do not tighten these bolt at this time
  - Using bolt #5, lock washer #2, and flat washer #3 to attach legs to the top

**STEP 2** Tighten all the Bolts and turn table up right,



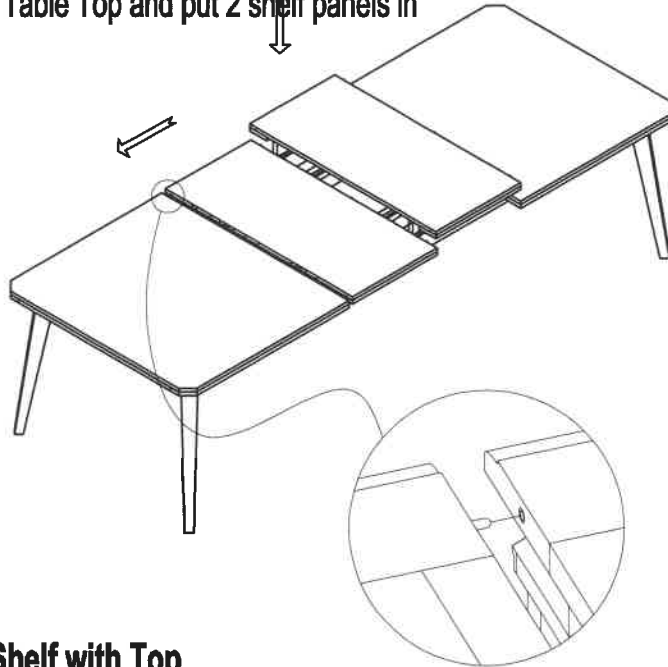
MADE IN VIETNAM

# HEKMAN

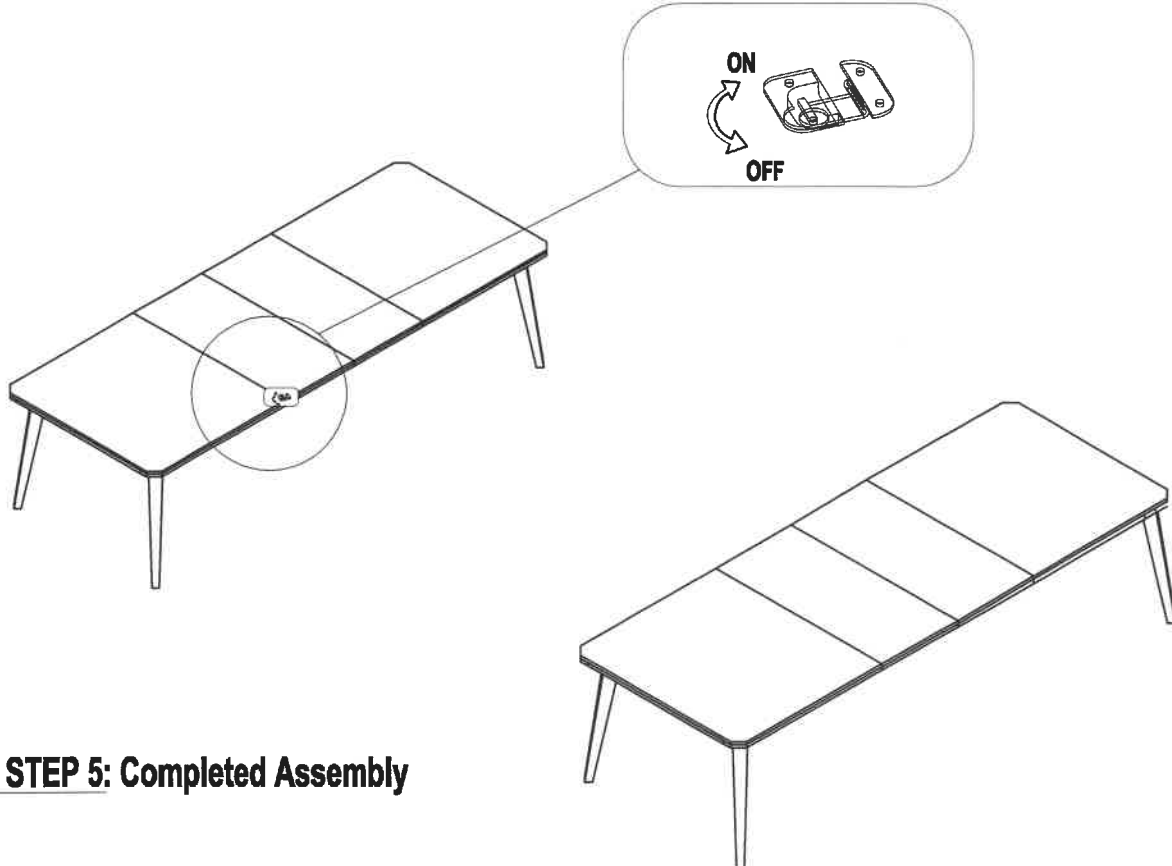
## ASSEMBLY INSTRUCTIONS

24320-Rec Dining Table Splayed leg

**STEP 3** Pull out Table Top and put 2 shelf panels in



**STEP 4: Lock the Shelf with Top**



**STEP 5: Completed Assembly**

MADE IN VIETNAM