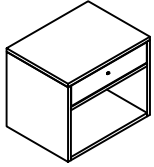


# ASSEMBLY INSTRUCTIONS

## 1-DRAWER SIDE TABLE

**A** Side Table



1PC

**B** Leg



4PCS

**C** Drawer Pull

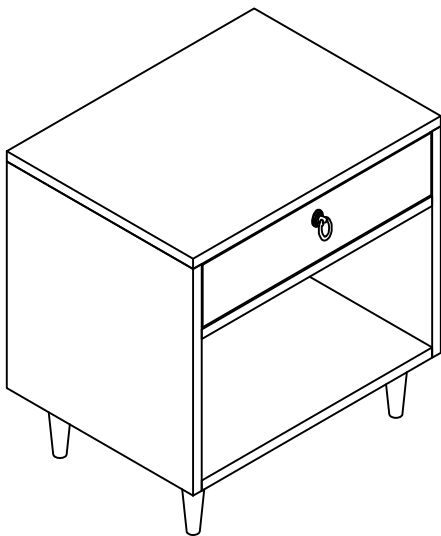


1PC

**D** Screw  
5/32" x 1-1/4"

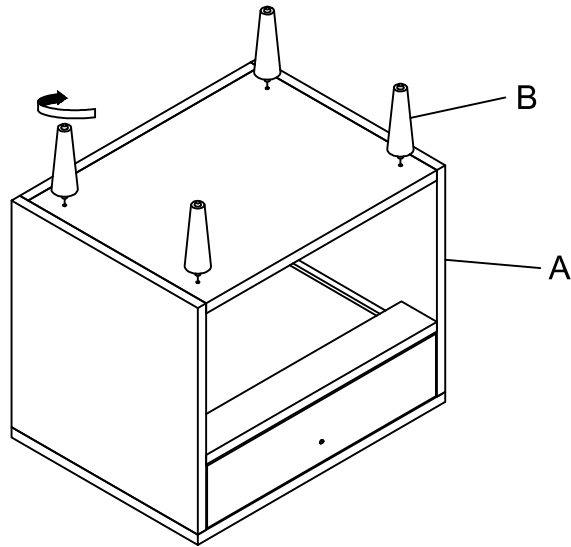


1PC

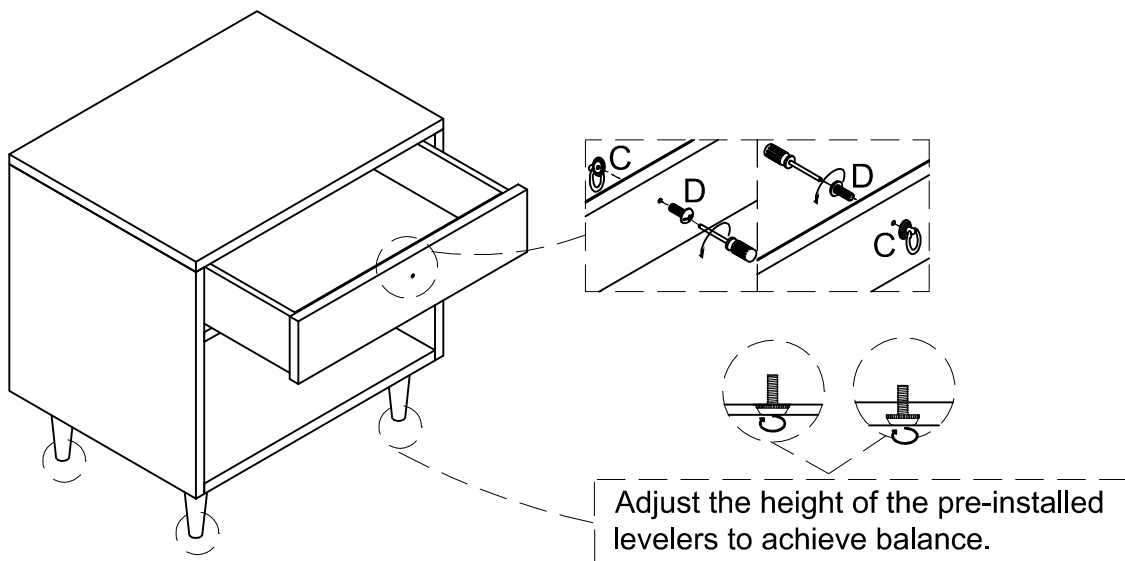


This page lists all the contents included in the box. Please take the time to identify the hardware as well as the individual components to this product. As you unpack and prepare for assembly, place the contents on a carpeted or padded area to protect them from damage.

- 
- 1** Attach the Leg (B) to the Side Table (A).



- 
- 2** With the assistance of your adult partners, carefully stand the table upright. Remove the Drawer Pull (C) and Screw (D) from inside the drawer, then attach the Drawer Pull (C) to the drawer front using the Screw (D) with a screwdriver (not provided).



---

### Cleaning & Care

Treat surfaces with care. Surfaces are resistant to scratches but are not scratch resistant. Clean surfaces with a dry or damp soft cloth. Do not use abrasive cleaners. Hardware may loosen over time. Periodically check that all connections are tight.