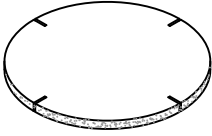
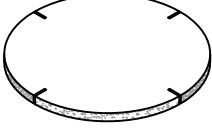






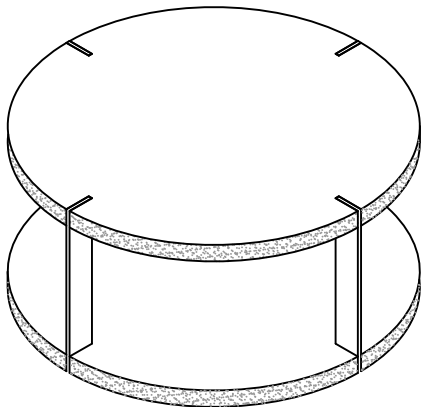


ASSEMBLY INSTRUCTIONS

COFFEE TABLE

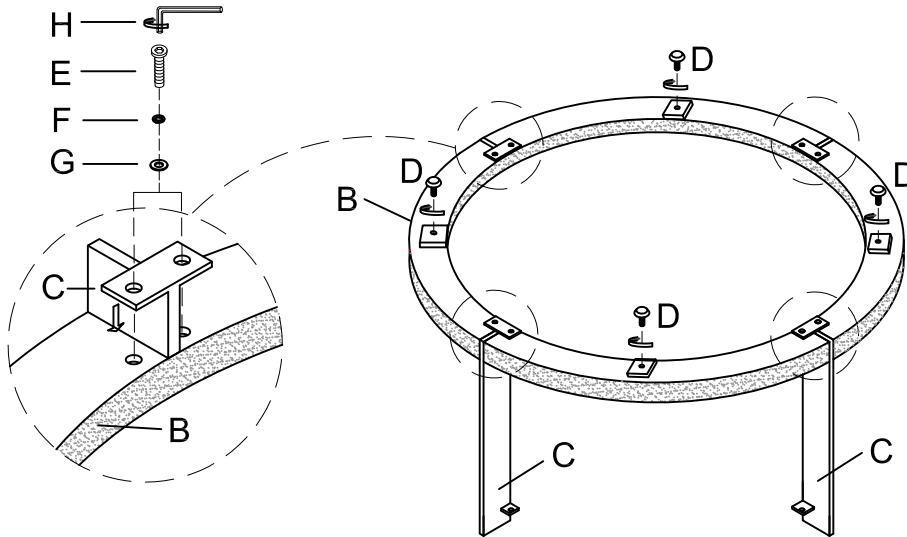
A Top Panel  1 PC	B Bottom Panel  1 PC	C Leg  4 PCS	D Adjustable Leveler  4 PCS
E Bolt 1/4" x 1"  16 PCS	F Lock Washer 5/16"  16 PCS	G Flat Washer 5/16" x 3/4"  16 PCS	H Allen Key 4mm  1 PC



This page lists all the contents included in the box. Please take the time to identify the hardware as well as the individual components to this product. As you unpack and prepare for assembly, place the contents on a carpeted or padded area to protect them from damage.

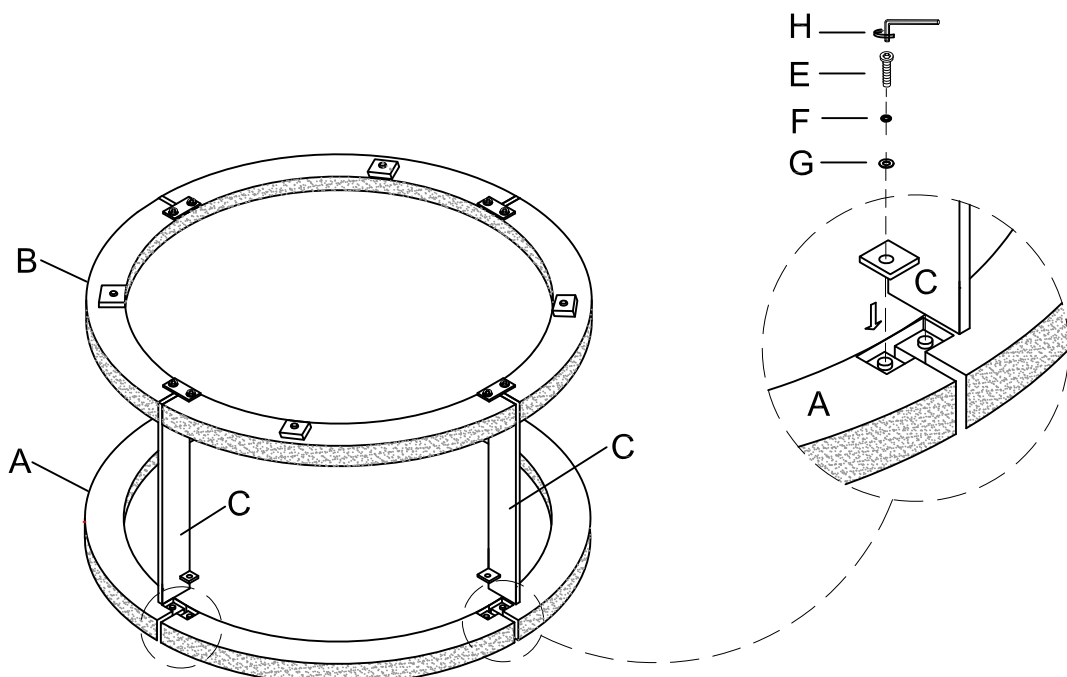
- 1 Attach 4pcs Leg (C) to the Bottom Panel (B) using Bolt (E), Lock Washer (F) and Flat Washer (G) with the Allen Key (H). Then, attach the Adjustable Leveler (D) to the bottom of the Bottom Panel (B).

Note: Do not fully tighten the bolts at this step.

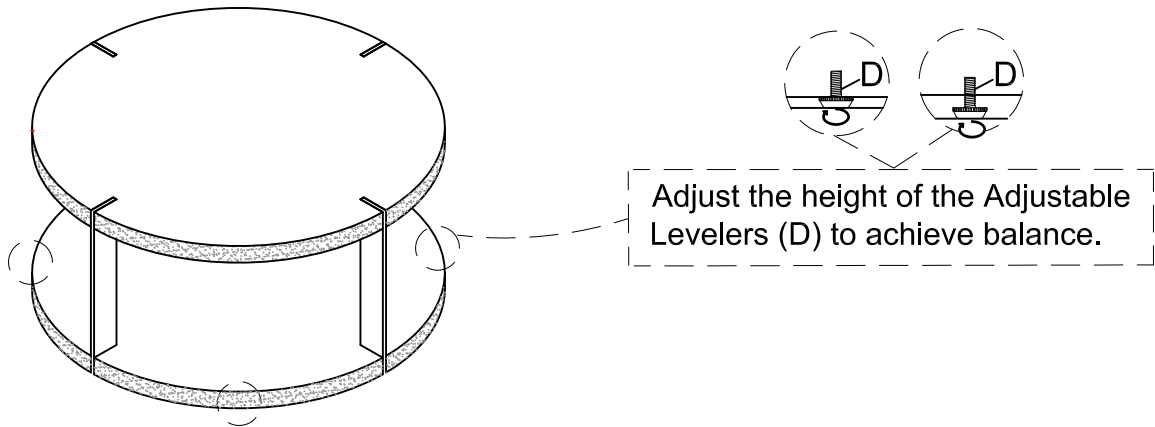


- 2 Attach 4pcs Leg (C) to the Top Panel (A) using Bolt (E), Lock Washer (F) and Flat Washer (G) with the Allen Key (H).

Note: Fully tighten all the bolts at this step.



-
- 3** With the assistance of your adult partners, carefully stand the table upright. Adjust the Adjustable Leveler (D) on the bottom of the Bottom Panel (B) until the table is stabilized.



Cleaning & Care

Treat surfaces with care. Surfaces are resistant to scratches but are not scratch resistant. Clean surfaces with a dry or damp soft cloth. Do not use abrasive cleaners. Hardware may loosen over time. Periodically check that all connections are tight.