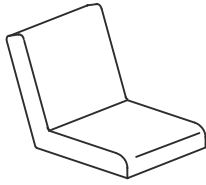


ASSEMBLY INSTRUCTIONS

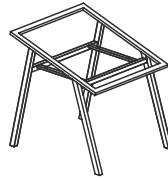
DINING CHAIR

A Seat Cushion



1 pc

B Leg Frame



1 pc

C Bolt
1/4" x 30mm



4 pcs

D Spring Washer
5/16" x 12mm x 2mm



4 pcs

E Flat Washer
5/16" x 19mm x 2mm

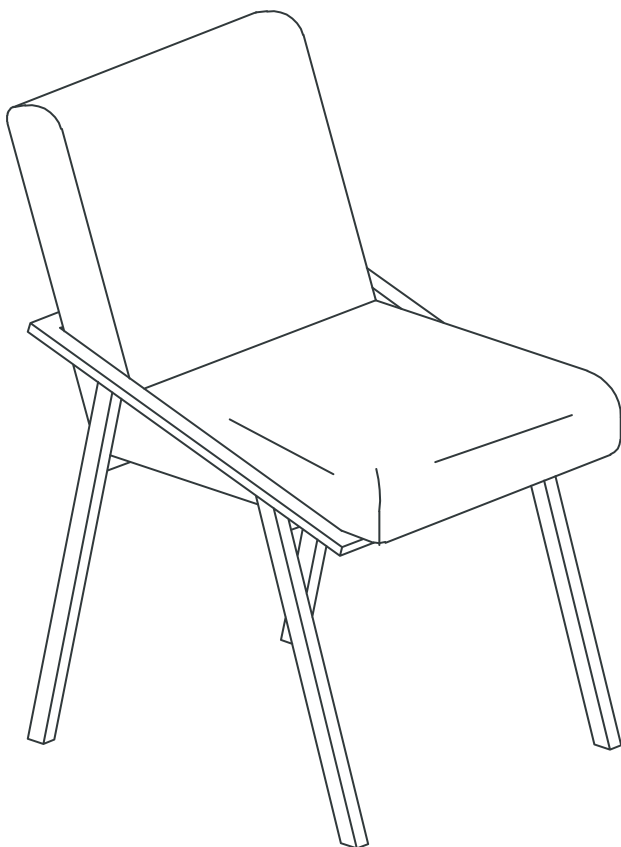


4 pcs

F Allen Wrench
4mm

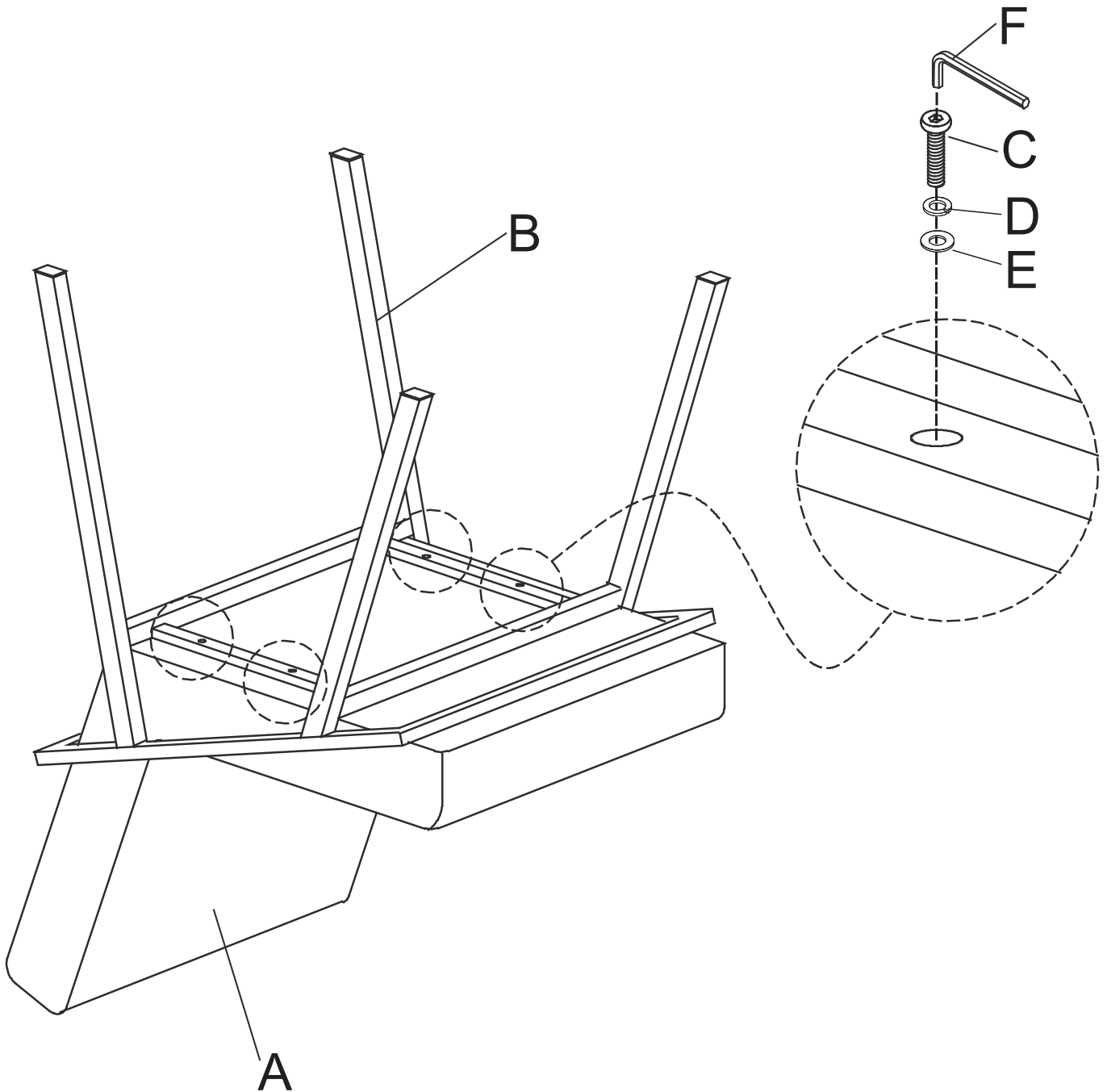


1 pc



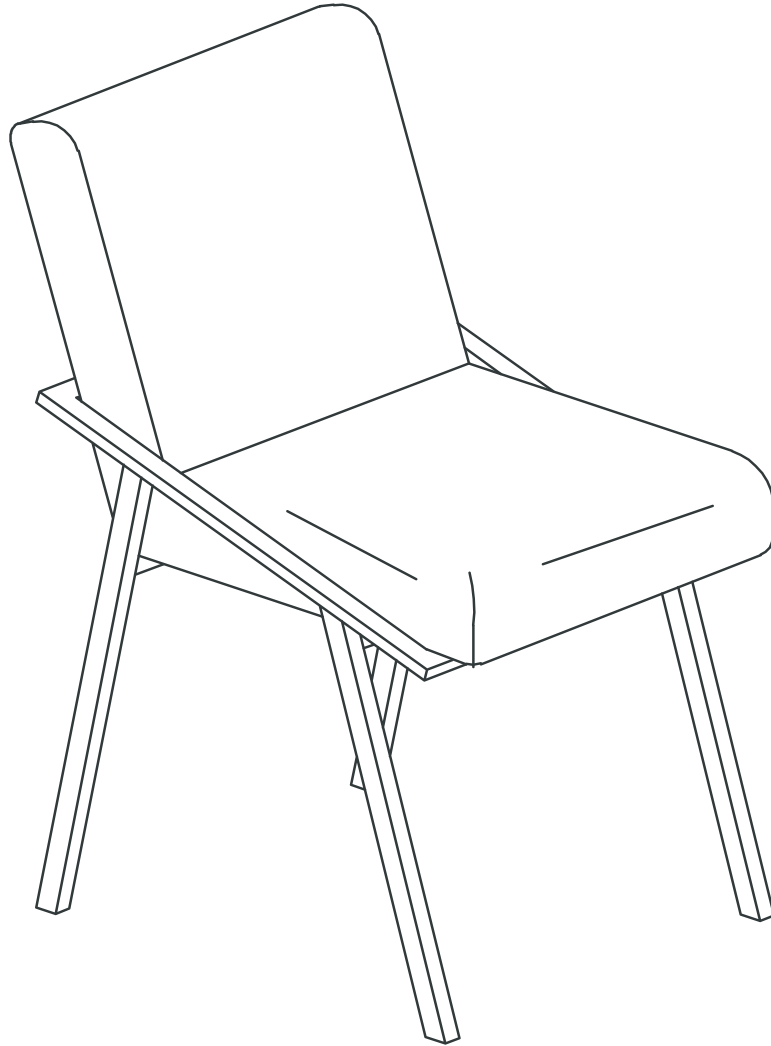
This page lists all the contents included in the box. Please take time to identify the hardware as well as the individual components to this product. As you unpack and prepare for assembly, place the contents on a carpeted or padded area to protect them from damage.

- 1** Attach the Seat Cushion (A) to the Leg Frame (B) using Bolt (C), Spring Washer (D) and Flat Washer (E) with the Allen Wrench (F).



Take the Allen Wrench and turn the bolts until the legs are secured. **DO NOT TIGHTEN THE BOLTS COMPLETELY.** Stop when you feel you are adding force to tighten the bolt.

-
- 2** Stand the chair on an even surface and check for balance. If the chair wobbles slightly, apply downward pressure on the uneven leg and tighten the bolts to correct the imbalance. Once the chair is balanced, apply downward pressure evenly in the center of the chair and tighten all bolts, being careful not to over-tighten beyond the hole depth.



Helpful Tip: While tightening the bolts from underneath, have someone sit in the chair.

Cleaning & Care

Treat surfaces with care. Surfaces are resistant to scratches but are not scratch resistant. Clean surfaces with a dry or damp soft cloth. Do not use abrasive cleaners. Hardware may loosen over time. Periodically check that all connections are tight.