

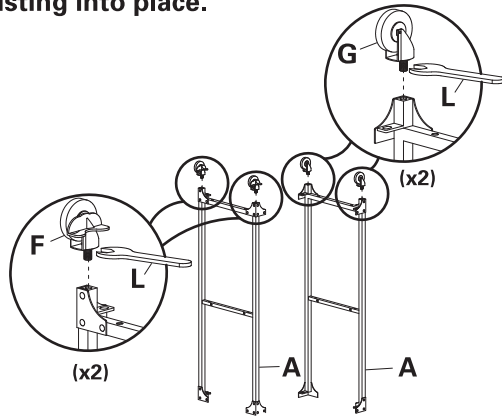
# BRACKENHILL INDUSTRIAL BAR CART

## ASSEMBLY INSTRUCTIONS

**FIRSTIME & CO.**  
— AMERICAN DESIGNED —

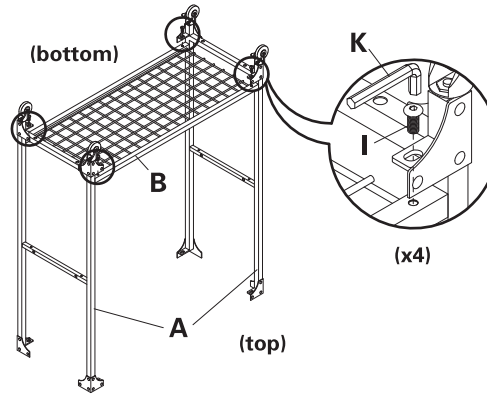
### STEP 1

Attach wheels (F + G) to the side frames (A) by twisting into place.



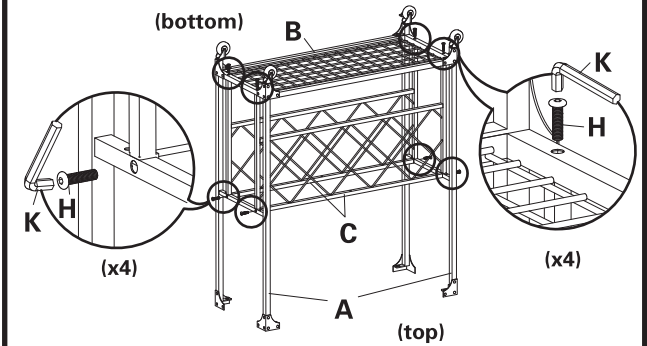
### STEP 2

Attach bottom shelf (B) to the legs (A). Tighten screws 75%.



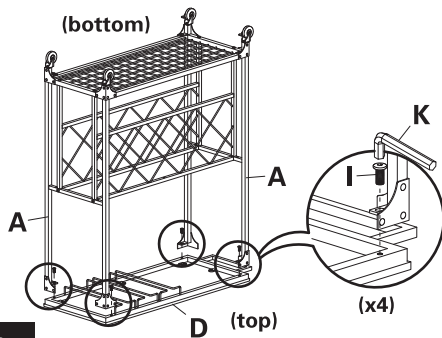
### STEP 3

Attach wine bottle rack (C) to the legs (A) and bottom shelf (B). Tighten screws 75%.



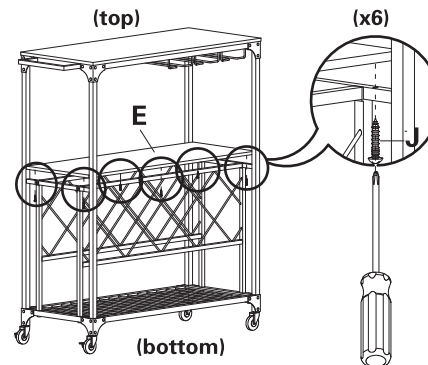
### STEP 4

Attach legs (A) to the bottom of the top shelf (D). Tighten all screws 100%.

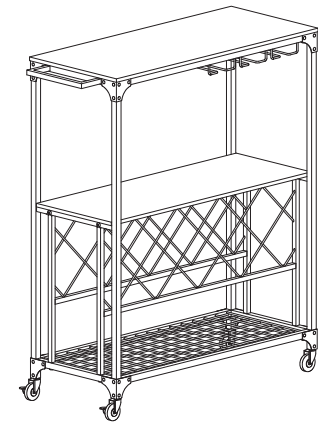


### STEP 5

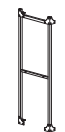



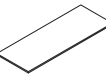





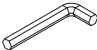

Rotate cart upright. Place wood shelf (E) on top of wine rack (C) and attach.



### FULLY ASSEMBLED



### PARTS

<b>A</b>  2 PC	<b>B</b>  1 PC	<b>C</b>  2 PC	<b>D</b>  1 PC	<b>E</b>  1 PC	<b>F</b>  2 PC	<b>G</b>  2 PC	<b>H</b>  8 PC	<b>I</b>  8 PC	<b>J</b>  6 PC	<b>K</b>  1 PC	<b>L</b>  1 PC
---------------------------------------------------------------------------------------------------------	---------------------------------------------------------------------------------------------------------	---------------------------------------------------------------------------------------------------------	---------------------------------------------------------------------------------------------------------	---------------------------------------------------------------------------------------------------------	---------------------------------------------------------------------------------------------------------	-----------------------------------------------------------------------------------------------------------	-----------------------------------------------------------------------------------------------------------	-----------------------------------------------------------------------------------------------------------	-----------------------------------------------------------------------------------------------------------	-----------------------------------------------------------------------------------------------------------	-----------------------------------------------------------------------------------------------------------

**NOTE: PHILIPS HEAD SCREW DRIVER REQUIRED FOR ASSEMBLY (NOT INCLUDED)  
DO NOT TIGHTEN SCREWS 100% UNTIL FULLY ASSEMBLED.**