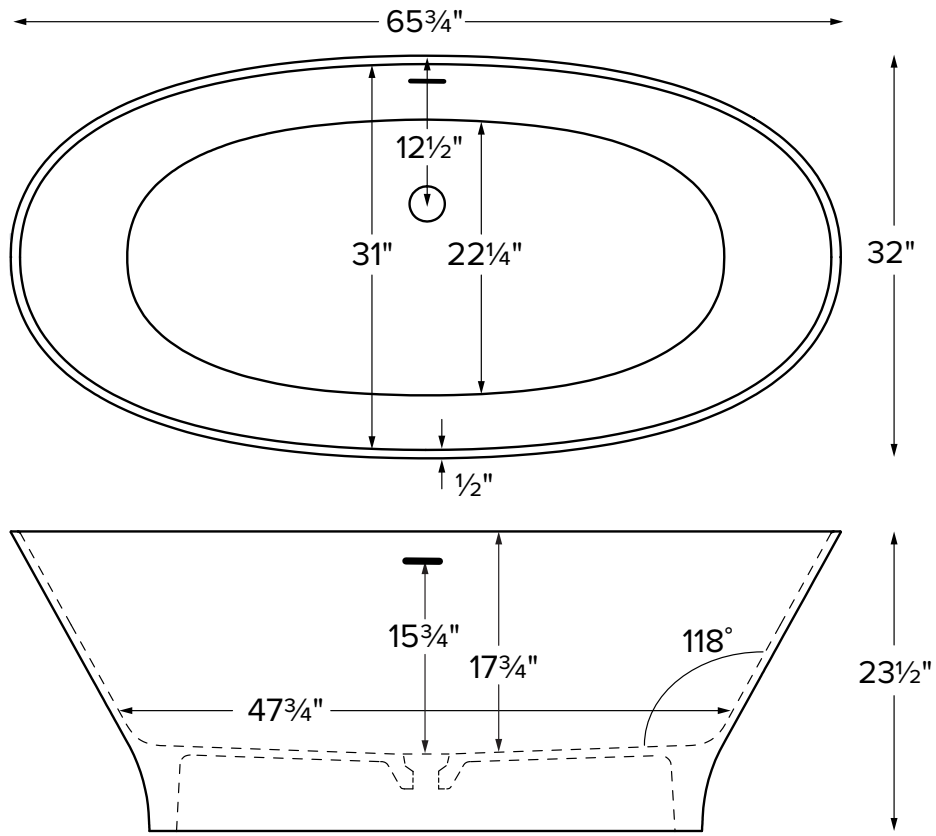


Adjure

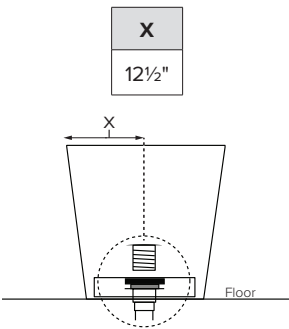


Features an integrated overflow

MODEL 553
65.75" x 32" x 23.5"
FREESTANDING 69 gal to overflow
Mineral Composite
267 lbs / 121 kg soaker
Filling this tub to the maximum may require an above average size or dedicated water heater.



Drain Rough-In Measurement



ELECTRICAL COMPONENTS & SPECIFICATIONS		
Required Electrical Service - 110 Volt		
Hydrotherapy Package	Components Included	GFCI
Air Massage	heated blower	1-15 amp
Electrical requirements may change with the addition of optional therapy components. See specific option details or installation information. CSA Certified C/US; B45.5/IAPMO ANSI Z124.1 and ANSI 112.19.7		

ORDERING AND INSTALLATION

- Before ordering or installing, please consider future access to equipment.
- Integrated overflow with toe tap drain included.
- Air baths require job site preparations for remote mounting the blower and required check valve. Check valve must be installed higher than the rim of the tub.
- Waterproof remote control included. Keypad is shipped loose and may be mounted nearby.
- Faucet valves cannot be installed on this tub model.

See the Installation & Operation Manual for more details.
 MTI's Customer Service: Monday-Friday 8am-6pm EST
 800-783-8827 or service@mtibaths.com

• Before discarding tub packaging, check for accessories that may be packaged inside.
 • All product measurements are ±1/2".
 • Specifications and configurations are subject to change without notice.
 • Measurements herein supersede all others published prior to publication date below.

For more information on options and accessories go to Mineral Composite Tubs Options on acquabellabaths.com

- Blower, control box and required check valve for airbath must be remote mounted.
- Check valve must be installed higher than the rim of the tub.
- See Installation and Operation Manual for more details.

Adjure
 MODEL # 553
 65.75" x 32" x 23.5"

Full Freight Allowed

Hydrotherapy	Package Contents	Finish/Color	Part #	MSRP
Soaker	Soaking bath - no jets. Includes an integrated slotted overflow with white toe-tap drain kit.	Gloss White	ADS553	\$6,530
		Exterior Matte White	ADS553M	\$7,145
		Exterior Matte Color	ADS553V	\$7,610
Air Bath	20 air jets, heated air blower, keypad, waterproof remote control, integrated slotted overflow with white toe-tap drain kit.	Gloss White	ADAST553	\$10,860
		Exterior Matte White	ADAST553M	\$11,480
		Exterior Matte Color	ADAST553V	\$11,920

Color and Finish Options
Standard Colors: White, gloss finish only.
Recommended Drain Kits
Westbrass D98LTBAA-XX (included with tub) OS&B 500 Series Mountain Plumbing BDWOF-ST
Drain Kit Accessories
Quick Drain Kit - (WOQ) \$485
Brass Tailpiece (WIOBS) \$90 (not compatible with OS&B 500Q)

Accessories <i>Sold separately</i>
Pillows from \$190
Teak Bath Mat - Measures 30" x 17.5" x 1" (TKMAT3018) \$840 Custom sizes also available, contact MTI for details.

Pricing is MSRP. Part codes listed in parentheses.



Inside view of tub