



# Mariposa® | K-1224-CB

66" x 35-7/8" drop-in whirlpool bath

## Features

- Single-speed whirlpool offers performance and value, with 5 fully adjustable jets
- Hydromassage flow and direction can be controlled at each jet
- Hourglass shape adds style and elegance to your bathroom
- Textured bottom surface
- Multiple pump location options give you more choices for installation and access



## Available Colors/Finishes

*Color tiles intended for reference only.*

- 0 White



1-800-4KOHLER (1-800-456-4537)  
Kohler Co. reserves the right to make revisions without notice to product specifications.  
For the most current specification sheet, go to [www.kohler.com](http://www.kohler.com) USA or [www.kohler.ca](http://www.kohler.ca) Canada.  
5-12-2026 18:13 - US-CA

THE BOLD LOOK  
OF **KOHLER**®

## Codes/Standards

ASME A112.19.7/CSA B45.10  
 CSA B45.5/IAPMO Z124  
 ASTM E162  
 ASTM E662  
 UL 1795  
 UL Listed

## Technical Information

*All product dimensions are nominal.*

Drain Location:	Reversible
Drain Hole Diameter:	2-1/4" (57 mm)
Minimum Flat for Door:	1-3/4" (45 mm)
Basin Area, Bottom:	48" x 24" (1219 mm x 610 mm)
Basin Area, Top:	59" x 30" (1499 mm x 762 mm)
Water Depth:	14" (356 mm)
Water Capacity:	67 gal (253.6 L)
Minimum Floor Load:	42 lbs/ft <sup>2</sup>
Weight:	110 lbs (49.9 kg)
Cutout:	Drop-in, 64" x 34" (1626 mm x 864 mm)

## Material

- Acrylic

## Recommended Products/Accessories

- K-9695 Whirlpool trim kit with five jets
- K-1601 Bath/whirlpool footstep, removable
- K-23726 Drain treatment
- K-23732 Tub & shower cleaner
- K-7213 Cable bath drain with PVC tubing
- K-7214 Cable bath drain, less PVC tubing

## Required Products/Accessories

- K-T37392 Rotary-turn bath drain trim
  - K-T37391 Rotary-turn bath drain trim
- or
- K-78438 30" cable bath drain
  - K-37383 Rough-in cable bath drain, PVC, 30" cable with tubing
- or
- K-78439 45" cable bath drain
  - K-37385 Rough-in cable drain, PVC, 45" cable, less horizontal tube

## Required Electrical Service

One dedicated circuit required, protected with Class A Ground-Fault Circuit-Interrupter (GFCI). Outside North America, this device may be known as a Residual Current Device (RCD).

Pump: 120 V, 15 A, 60 Hz

## Electrical Component Ratings

Pump: 120 V, 7.5 A, 60 Hz

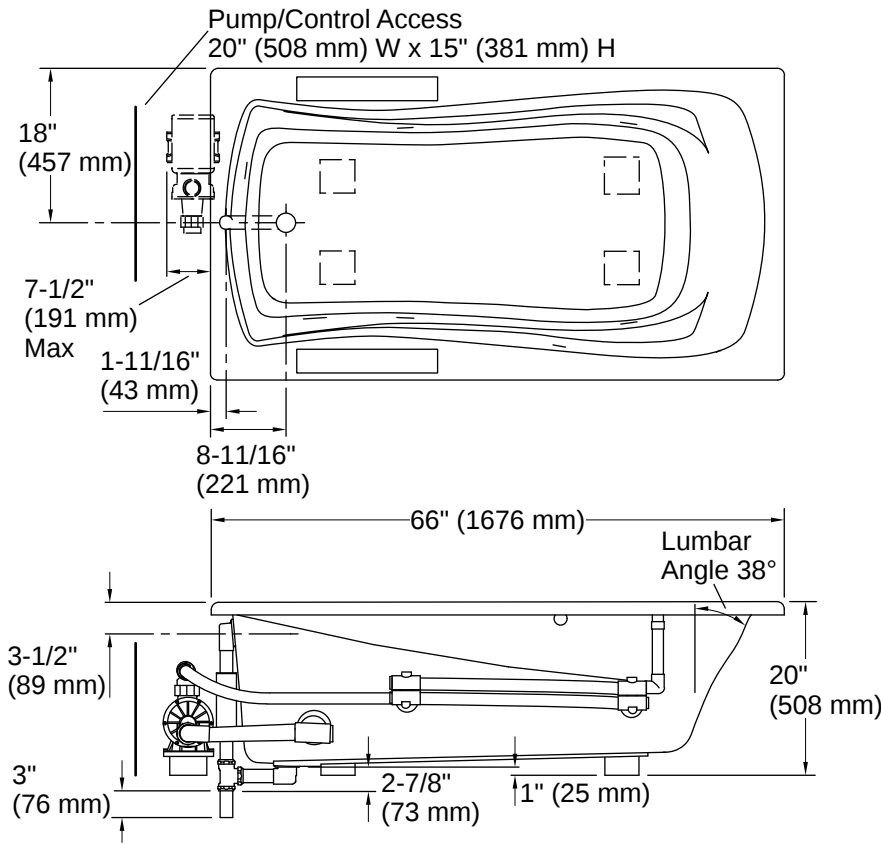
Number of Speeds: Single

## Warranty

*See website for detailed warranty information.*

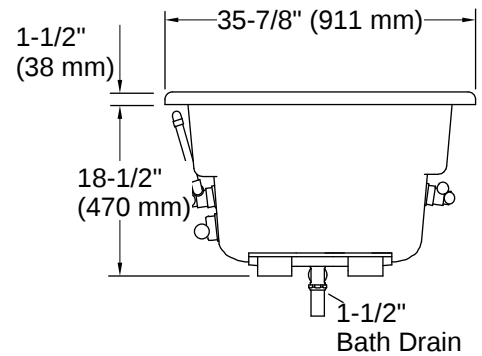
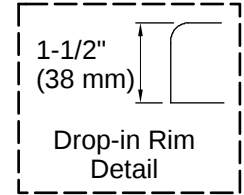
KOHLER® Plastic Baths and Shower Bases Lifetime Limited Warranty|KOHLER® Hydrotherapy Components Five-Year Limited Warranty





No change in measurements if connected with drain illustrated. (K-7161-AF)

□ Recommended Faucet Location



Installation

- Reversible drain
- Drop-in

Installation Notes

*Install this product according to the installation instructions.*

Measure your actual product for rough-in details.  
 The hot water supply should be 70% of the capacity of the bath or greater. Installations will vary.  
 Pump must be relocated to custom position at the time of installation.  
 Provide adequate clearance.  
 If installing a rim-mount faucet, make sure there is no interference above or below the deck before drilling any holes.

