

600 A 35 kV class insulated protective cap



Description

Eaton meets the full requirements of IEEE Std 386™-2006 standard - Separable Insulated Connector Systems, with its Cooper Power™ series 600 A, 35 kV Class insulated protective cap, providing an insulated, fully shielded submersible protection for energized 35 kV Class deadbreak interfaces. The cap is required for temporary or permanent installation on 35 kV deadbreak bushings, junctions and other accessories having interfaces that conform to IEEE Std 386™-2006 standard.

The cap design includes a semiconducting EPDM insert for stress relief and high quality peroxide cured EPDM insulation. The molded EPDM semiconducting shield maintains ground potential on the cap's surface when the drain wire is connected to a common ground.

(Top image on left shows standard insulated protective cap and bottom image shows U-OP™/T-OP™ II connector insulated protective cap.)

Installation

No special tools are required. A hotstick tool is used to place the protective cap on a de-energized bushing. Refer to *Service Information S600-63-1 600 A 15/25 and 35 kV Class Deadbreak Protective Cap Installation Instructions* for details.

Production tests

Tests are conducted in accordance with IEEE Std 386™-2006 standard.

- ac 60 Hz 1 Minute Withstand
 - 50 kV
- Minimum Corona Voltage Level
 - 26 kV

Tests conducted in accordance with Eaton requirements:

- Physical Inspection
- Periodic Dissection
- Periodic Fluoroscopic Analysis

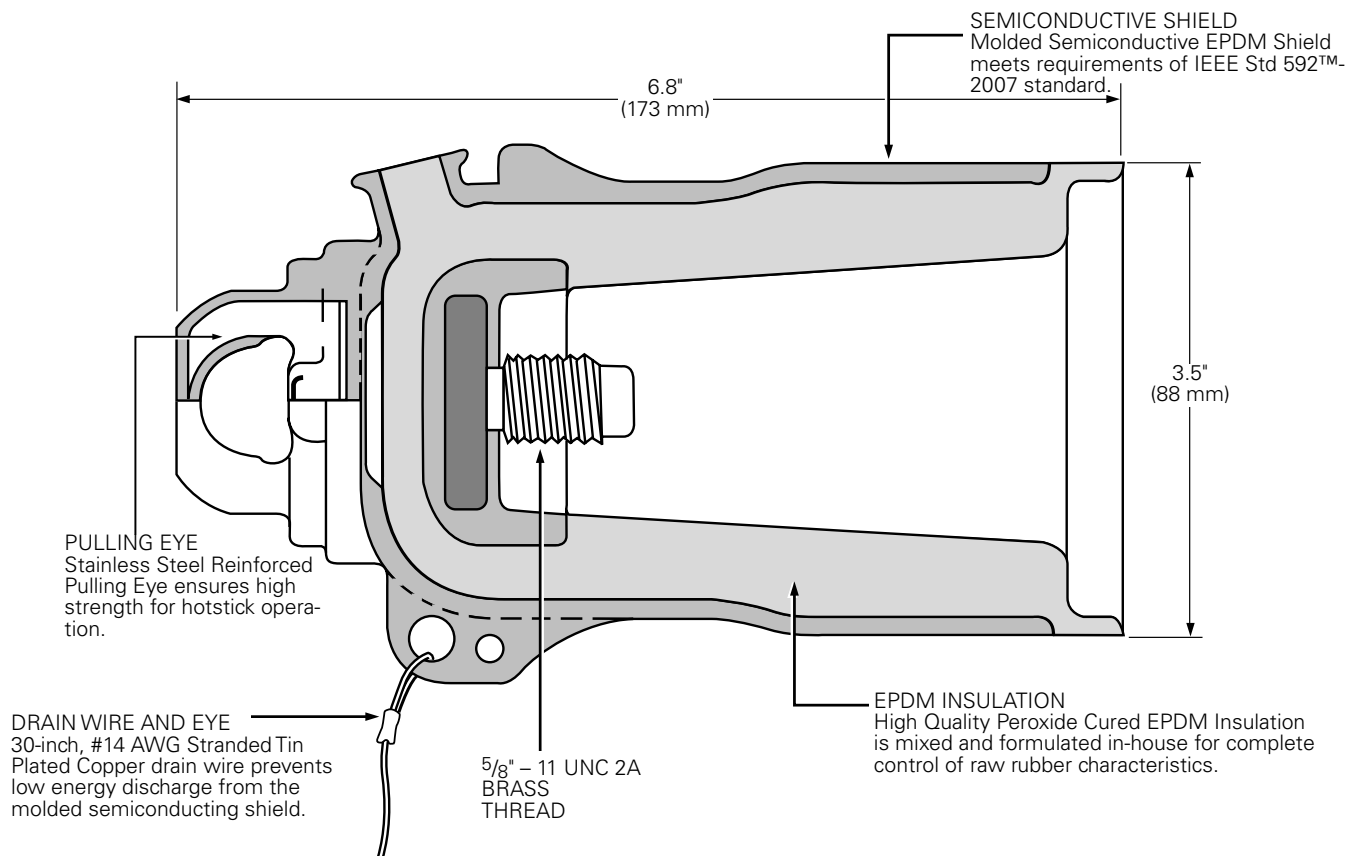


Figure 1. Insulated protective cap cutaway shows design characteristics and dimensions.

Note: Dimensions given are for reference only.

Table 1. Voltage Ratings and Characteristics

Description	kV
Standard Voltage Class	35
Maximum Rating Phase-to-Ground	21.1
ac 60 Hz 1 Minute Withstand	50
dc 15 Minute Withstand	103
BIL and Full Wave Crest	150
Minimum Corona Voltage Level	26

Voltage ratings and characteristics are in accordance with IEEE Std 386™-2006 standard.

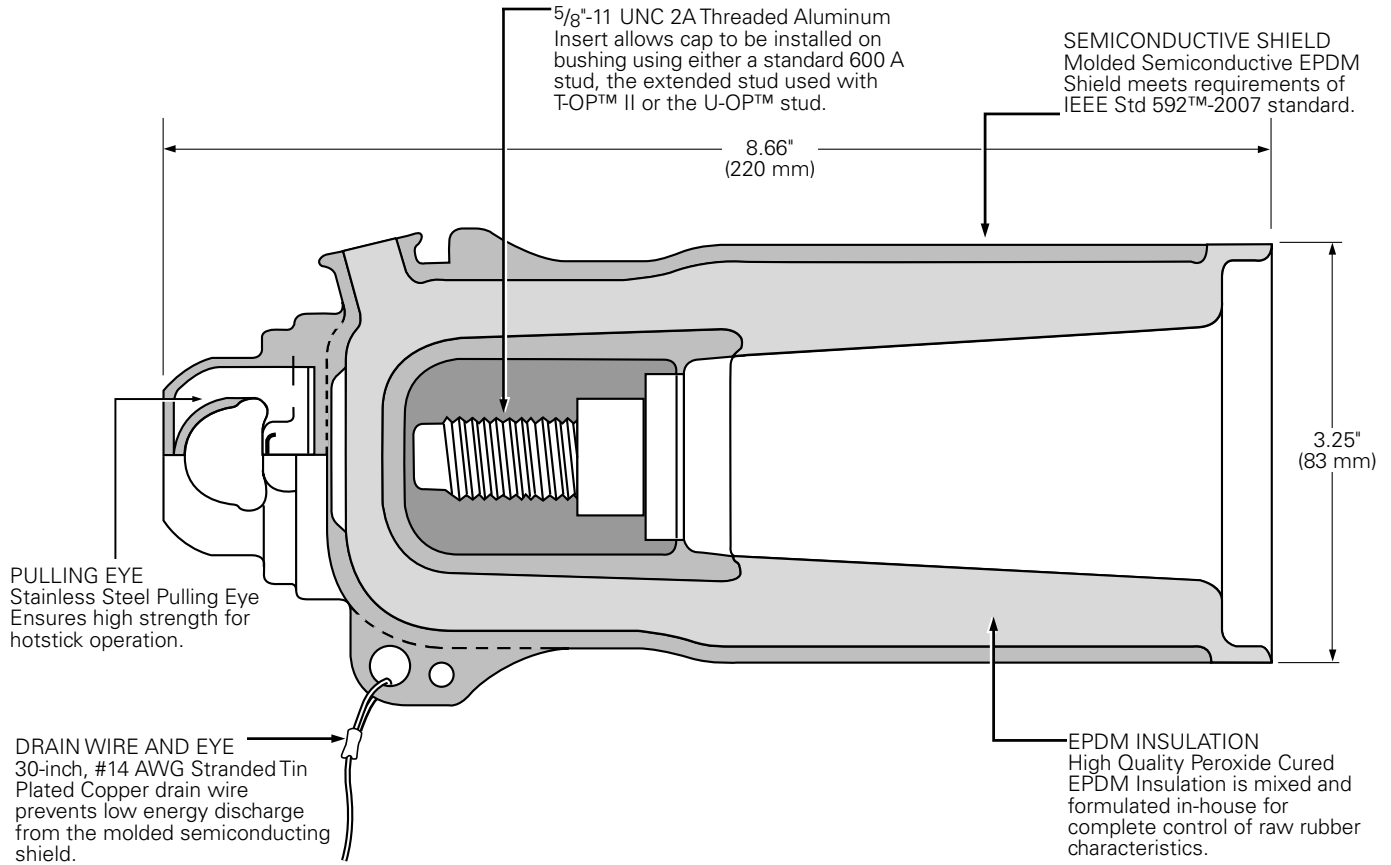


Figure 2. U-OP™/T-OP™ II connector cap cutaway shows design characteristics and dimensions.

Note: Dimensions given are for reference only.

Ordering information

To order a 35 kV Class Protective Cap Kit, refer to Table 2.

Table 2. Protective Cap Kits

Description	Catalog Number
600 A 35 kV Protective Caps	
Standard Protective Cap with Drain Wire w/Permanent Stud (See Figure 1) (Individually Bagged)	DPC635
Standard Protective Cap with Drain Wire w/Permanent Stud (Individually Boxed)	DPC635X
Protective Cap for T-OP II and U-OP Connector Applications w/out Stud (See Figure 2) (Individually Bagged)	DPC635UT
Protective Cap for T-OP II and U-OP Connector Applications w/out Stud (Individually Boxed)	DPC635UTX

Each kit contains

- Protective Cap
- Silicone Lubricant
- Installation Instruction Sheet

Eaton
1000 Eaton Boulevard
Cleveland, OH 44122
United States
Eaton.com

Eaton's Cooper Power Systems Division
2300 Badger Drive
Waukesha, WI 53188
United States
Eaton.com/cooperpowerseries

© 2015 Eaton
All Rights Reserved
Printed in USA
Publication No. CA650058EN

Eaton, Cooper Power, U-OP, and T-OP are valuable trademarks of Eaton in the U.S. and other countries. You are not permitted to use these trademarks without the prior written consent of Eaton.
IEEE Std 386™-2006 and IEEE Std 592™-2007 standards are trademarks of the Institute of Electrical and Electronics Engineers, Inc., (IEEE). This publication is not endorsed or approved by the IEEE.

For Eaton's Cooper Power series insulated protective cap product information call 1-877-277-4636 or visit:
www.eaton.com/cooperpowerseries.