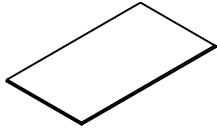
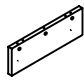

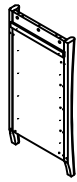
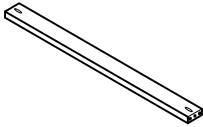
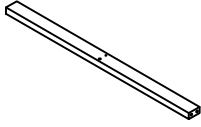
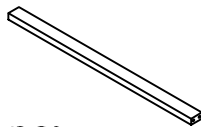
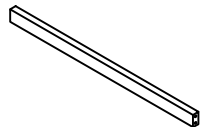
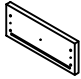

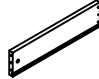

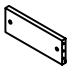
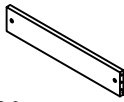
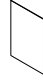
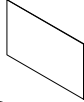
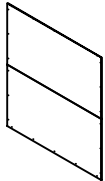
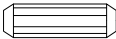
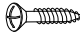
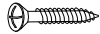
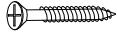
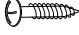





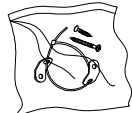
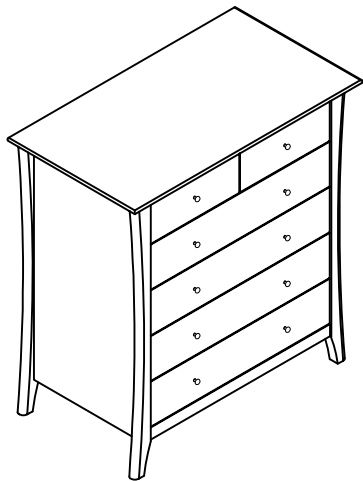


ASSEMBLY INSTRUCTION

6-DRAWER CHEST

A Top Panel  1 pc	B Division  1 pc	C Side Panel - L  1 pc	D Side Panel - R  1 pc
E Bottom Rail  2 pcs	F Support Rail  2 pcs	G Drawer Rail  3 pcs	H Front Rail  1 pc
I Drawer Front - S  2 pcs	J Drawer Front - L  4 pcs	K Drawer Side - L  6 pcs	L Drawer Side - R  6 pcs
M Drawer Back - S  2 pcs	N Drawer Back - L  4 pcs	O Drawer Bottom - S  2 pcs	P Drawer Bottom - L  4 pcs
Q Back Panel  1 pc	R Wooden Dowel Ø8 x 30mm  88 pcs	S CSK Screw M3.5 x 12mm  4 pcs	T CSK Screw M3.5 x 16mm  44 pcs
U CSK Screw M4 x 30mm  10 pcs	V Pan Head Screw M3.5 x 12mm  22 pcs	W Camlock Screw 24mm  33 pcs	X Camlock & Cap 15/12"  33 pcs
Y Trust Head Screw M4 x 25mm  10 pcs	Z Handle  10 pcs	AA Extension Slide 10"  6 sets	AB Anti-Tipping Kit  1 set

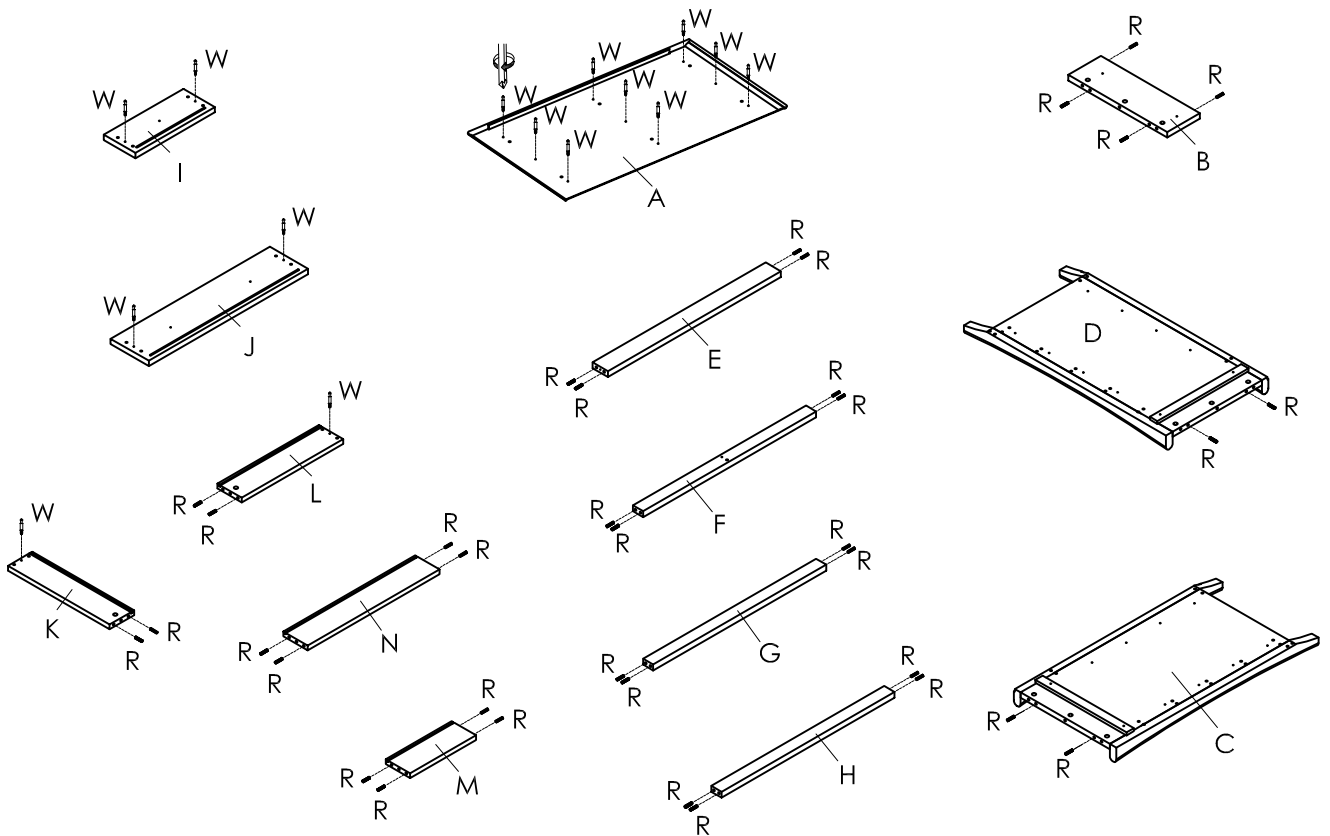


The above page lists all the contents included in the box. Please take the time to identify the hardware as well as the individual components to this product. As you unpack and prepare for assembly, place the contents on a carpeted or padded area to protect them from damage.

IMPORTANT NOTE :

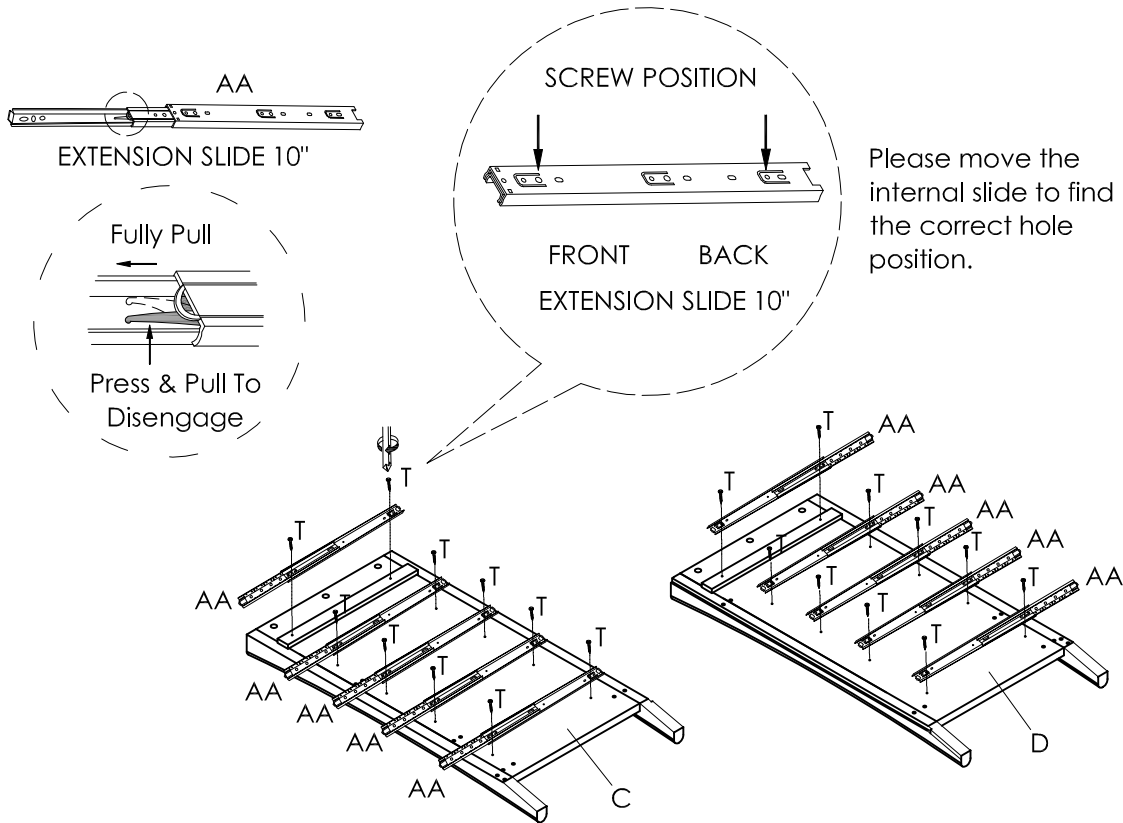
1. Do not tighten all screws / bolts until all completely assembled.
2. Keep all hardware parts out of reach of children.

1 Insert Wooden Dowel (R) into holes on Division (B), Side Panel (C,D), Bottom Rail (E), Support Rail (F), Drawer Rail (G), Front Rail (H), Drawer Side - L (K), Drawer Side - R (L) & Drawer Back - S (M), Drawer Back - L (N). Insert Camlock Screw (W) into holes on Drawer Front (I,J), Drawer Side (K,L) & Top Panel (A) and fully tighten using Phillips Head Screwdriver (not provided).



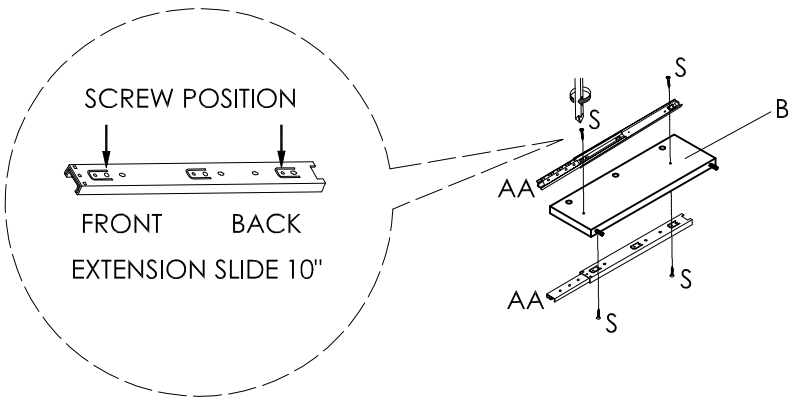
2

Attach Extension Slide (AA) to the predrilled holes at Side Panel (C,D) using CSK Screw (T) and fully tighten with Phillips Head Screwdriver (not provided).



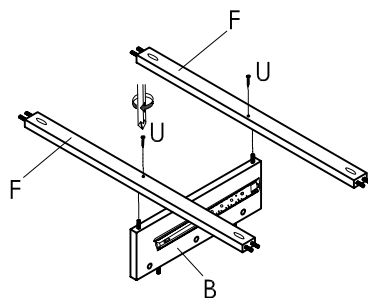
3

Attach Extension Slide (AA) to the predrilled holes at both sides of Division (B) using CSK Screw (S) and fully tighten with Phillips Head Screwdriver (not provided).

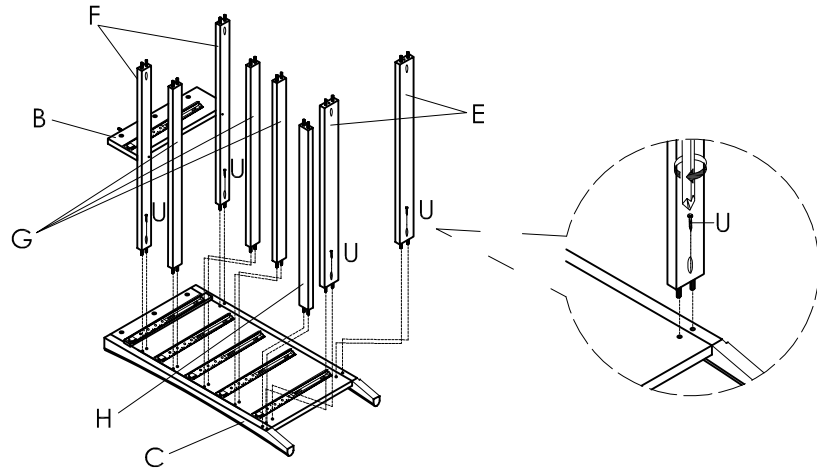


4

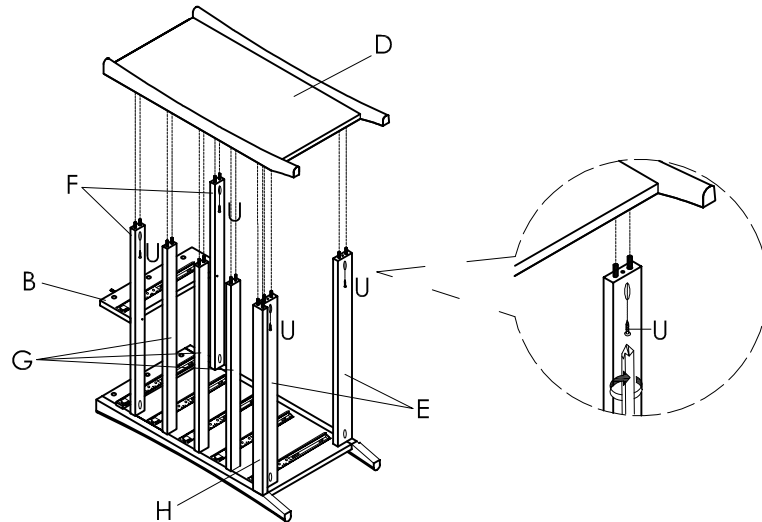
Attach Support Rail (F) to Division (B) using guiding dowels and tighten CSK Screw (U) using Phillips Head Screwdriver (not provided).



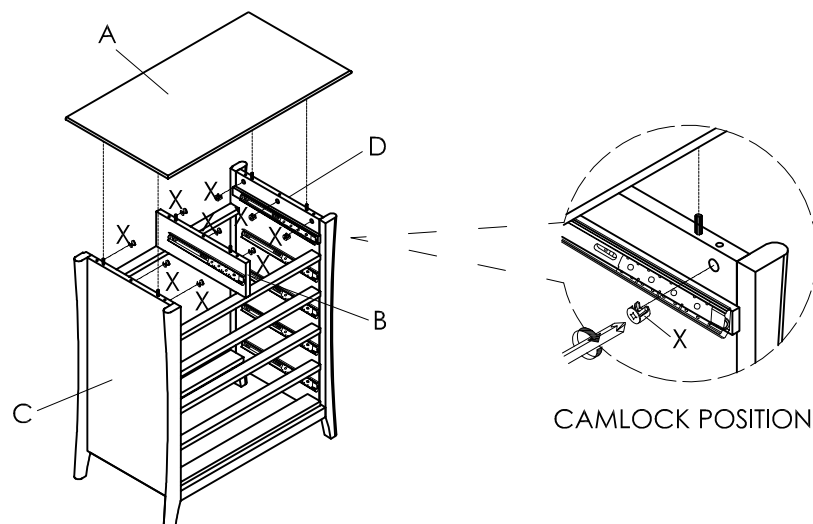
- 5** Attach Bottom Rail (E), Support Rail (F), Drawer Rail (G) & Front Rail (H) to Side Panel - L (C) using guiding dowels. Tighten CSK Screw (U) to Bottom Rail (E) & Support Rail (F) using Phillips Head Screwdriver (not provided).



- 6** Attach Side Panel - R (D) to Support Rail (F), Drawer Rail (G), Front Rail (H) & Bottom Rail (E) using guiding dowels. Tighten CSK Screw (U) to Bottom Rail (E) & Support Rail (F) using Phillips Head Screwdriver (not provided).

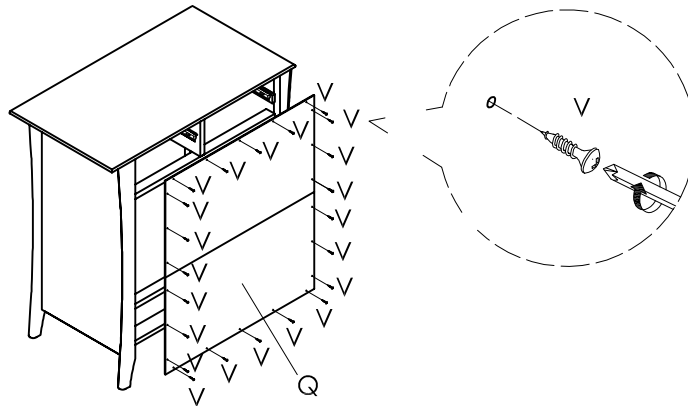


- 7** Insert Camlock (X) in open position to Side Panel (C,D) & Division (B). Attach the Top Panel (A) to the assembled unit using guiding dowels. Turn Camlock (X) to close position using Phillips Head Screwdriver (not provided).

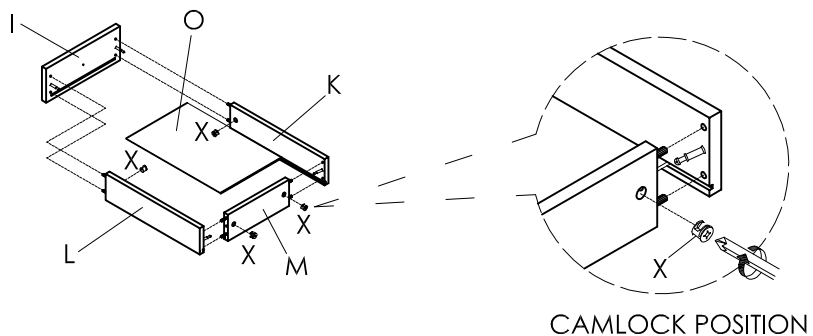


8

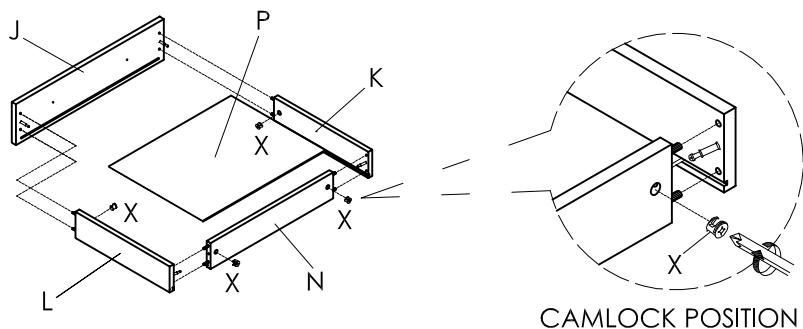
Attach Back Panel (Q) to the assembled unit using Pan Head Screw (V) with Phillips Head Screwdriver (not provided).

**9**

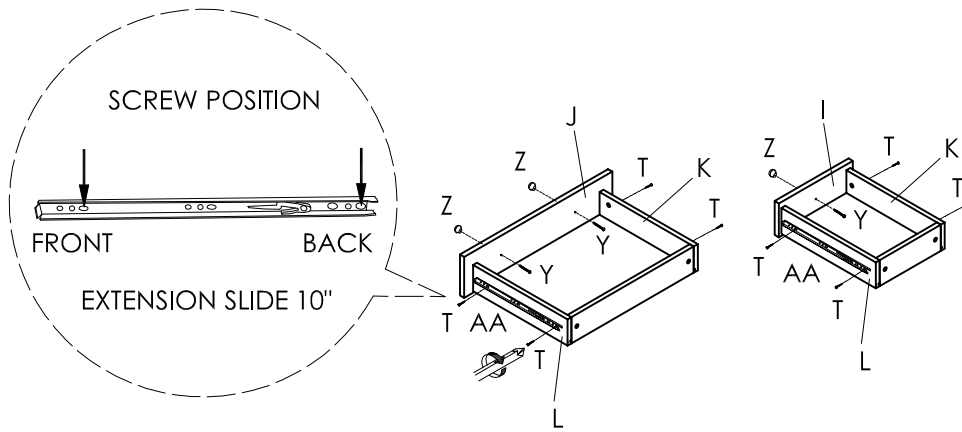
Insert Camlock (X) in open position to Drawer Side (K,L) & Drawer Back - S (M). Attach Drawer Side (K,L) to Drawer Back - S (M) using guiding dowels. Insert Drawer Bottom - S (O) into slot. Attach Drawer Front - S (I) to Drawer Side (K,L) and Drawer Bottom - S (O) using guiding dowels. Tighten all Camlock (X) to close position using Phillips Head Screwdriver (not provided), and insert Cap (X) after that.

**10**

Insert Camlock (X) in open position to Drawer Side (K,L) & Drawer Back - L (N). Attach Drawer Side (K,L) to Drawer Back - L (N) using guiding dowels. Insert Drawer Bottom - L (P) into slot. Attach Drawer Front - L (J) to Drawer Side (K,L) and Drawer Bottom - L (P) using guiding dowels. Tighten all Camlock (X) to close position using Phillips Head Screwdriver (not provided), and insert the Cap (X) after that.

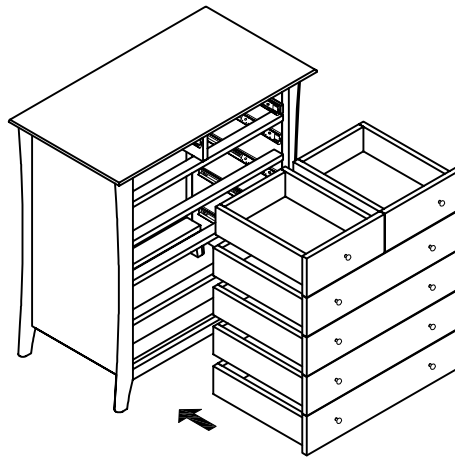


- 11** Attach Extension Slide (AA) to the base of Drawer Side (K,L) with CSK Screw (T) & Phillips Head Screwdriver. Install Handle (Z) with Trust Head Screw (Y) using Phillips Head Screwdriver (not provided).

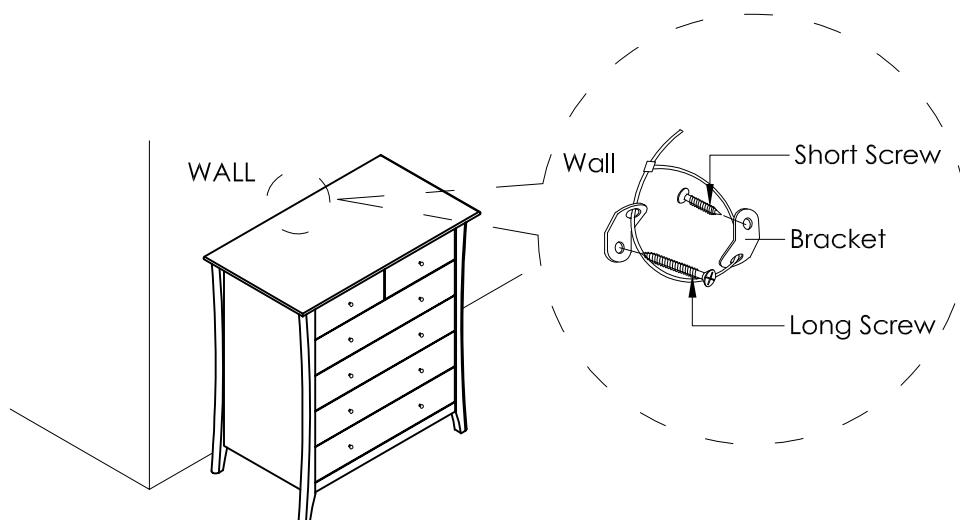


There are no predrilled holes provided. To ensure correct assembly, the drawer slide must be positioned to touch the Drawer Fronts - S & L (I,J).

- 12** Insert the Drawers to the unit.



- 13** Attach Anti-Tipping Kit (AB) to wall. Attach bracket (vertically) to wall using the long screw provided. Attach bracket (vertically) to furniture back (directly below top) with short screw. Place bracket as close to center of furniture back as possible in relation to wall stud and the desired position in the room. Move furniture to its final position. Thread the strap through the bracket and pull it tight.



CLEANING & CARE

Treat surface with care. Surface is resistant to scratches but is not scratch resistant. Clean surface with a dry or damp soft cloth. Do not use abrasive cleaners. Hardware may loosen over time. Periodically check that all connections are tight.