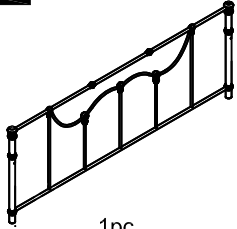


ASSEMBLY INSTRUCTION

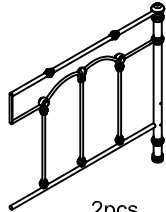
DAYBED

A BACK PANEL



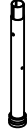
1pc

B SIDE PANEL



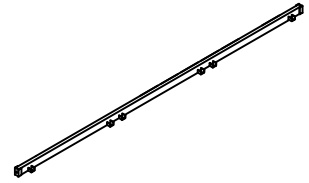
2pcs

C EXTENSION LEG



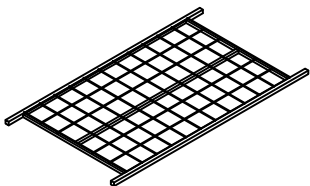
2pcs

D RAIL



2pcs

E MATTRESS FRAME



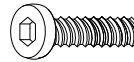
3pcs

F FINAL



4pcs

G BOLT
1/4", 16MM



12pcs

H BOLT
1/4", 57MM



4pcs

I BOLT
5/16", 57MM



4pcs

J FLAT
WASHER



12pcs

K WASHER



4pcs

L ALLEN
WRENCH
4X4MM

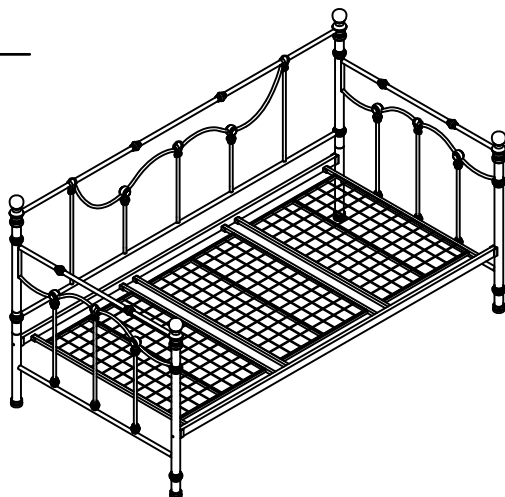


1pc

M ALLEN
WRENCH
5X5MM






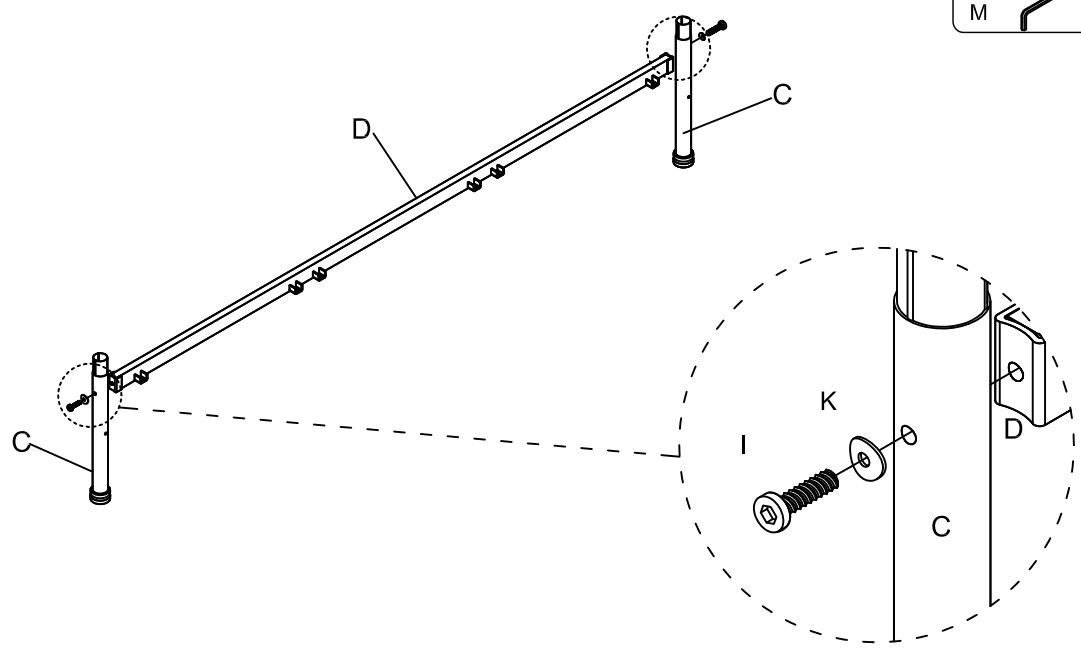
1pc



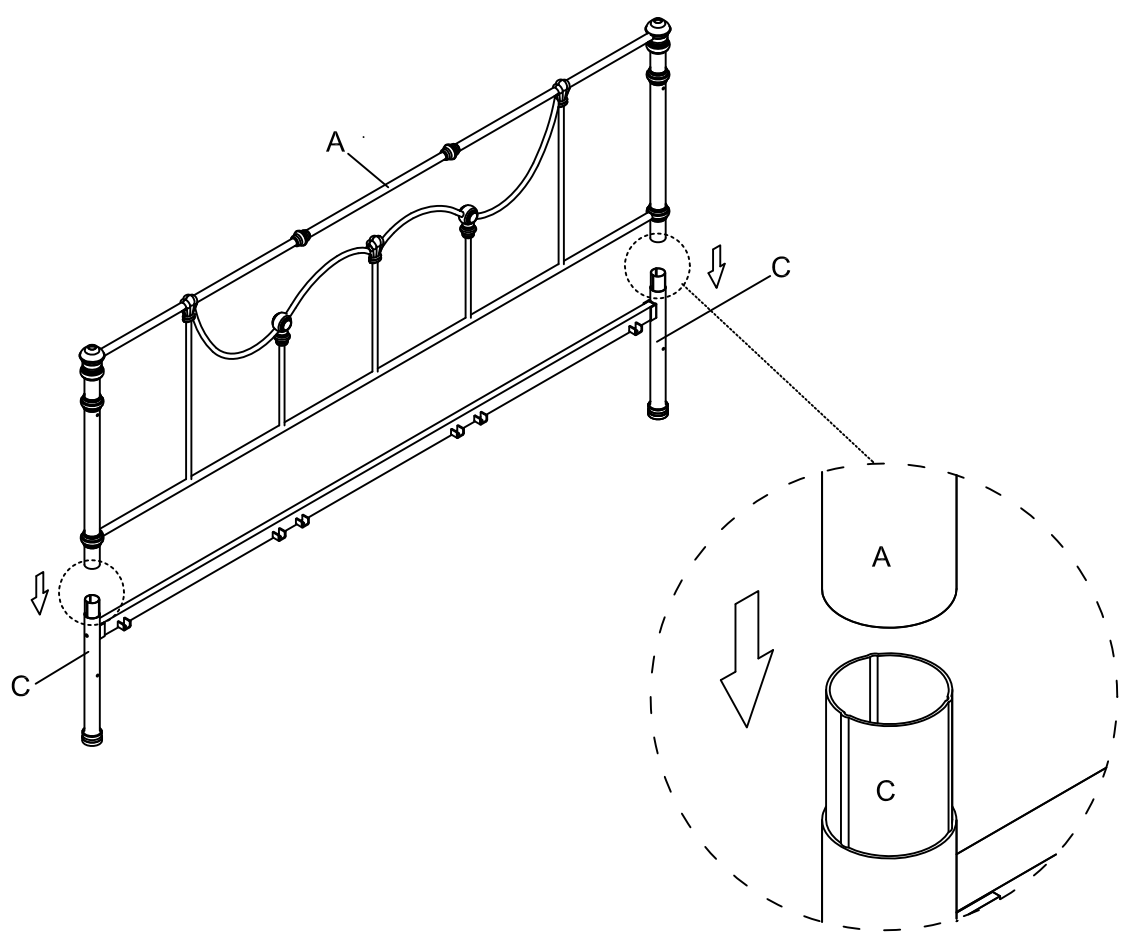
This page lists all the contents included in the box. Please take the time to identify the hardware as well as the individual components to this product. As you unpack and prepare for assembly, place the contents on a carpeted or padded area to protect them from damage.

1 Assemble the rail (D) to the extension leg (C) with 2 pcs bolts (I) and 2pcs flat washers (K), then tighten with allen wrench (M).

I		2PCS
K		2PCS
M		

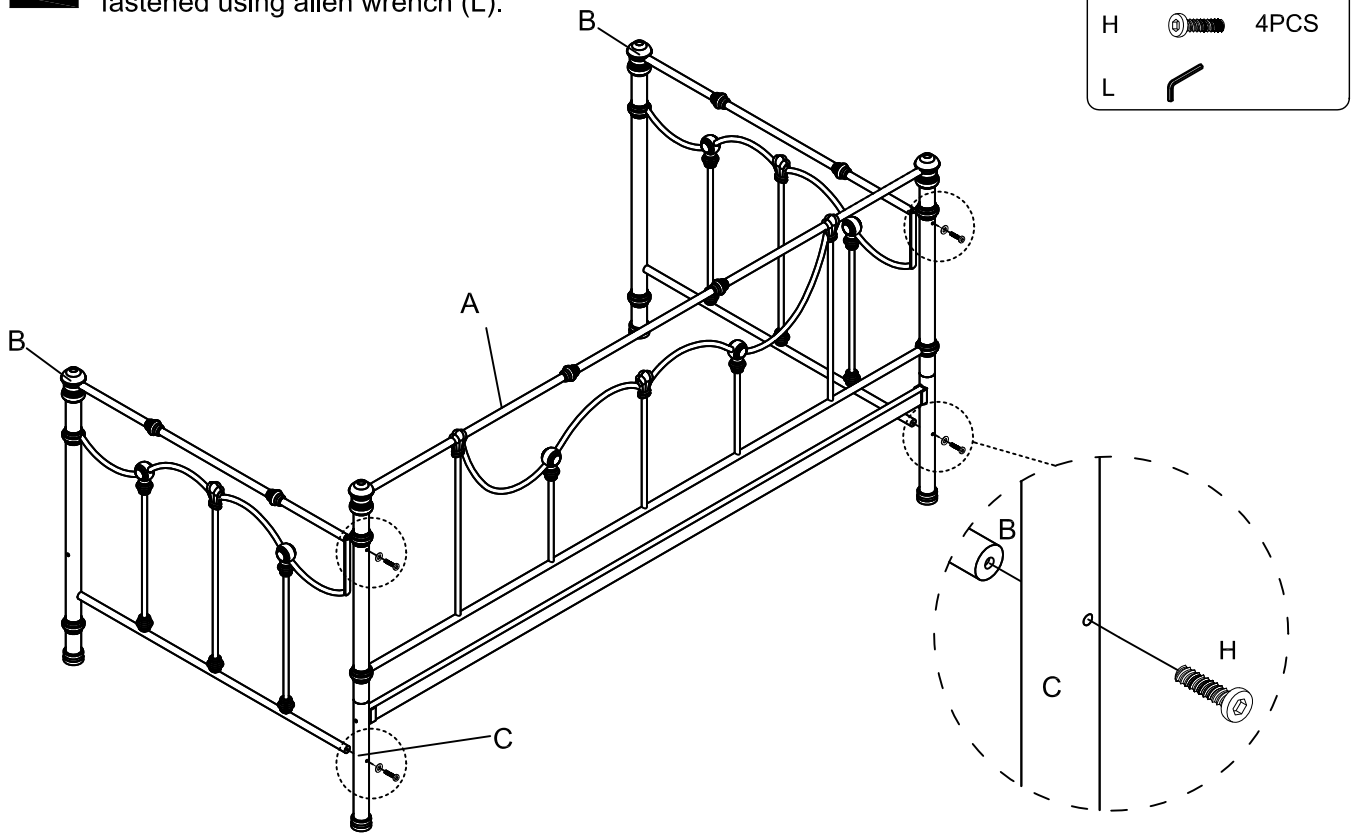


2 Assemble the back panel (A) to the extension leg (C).

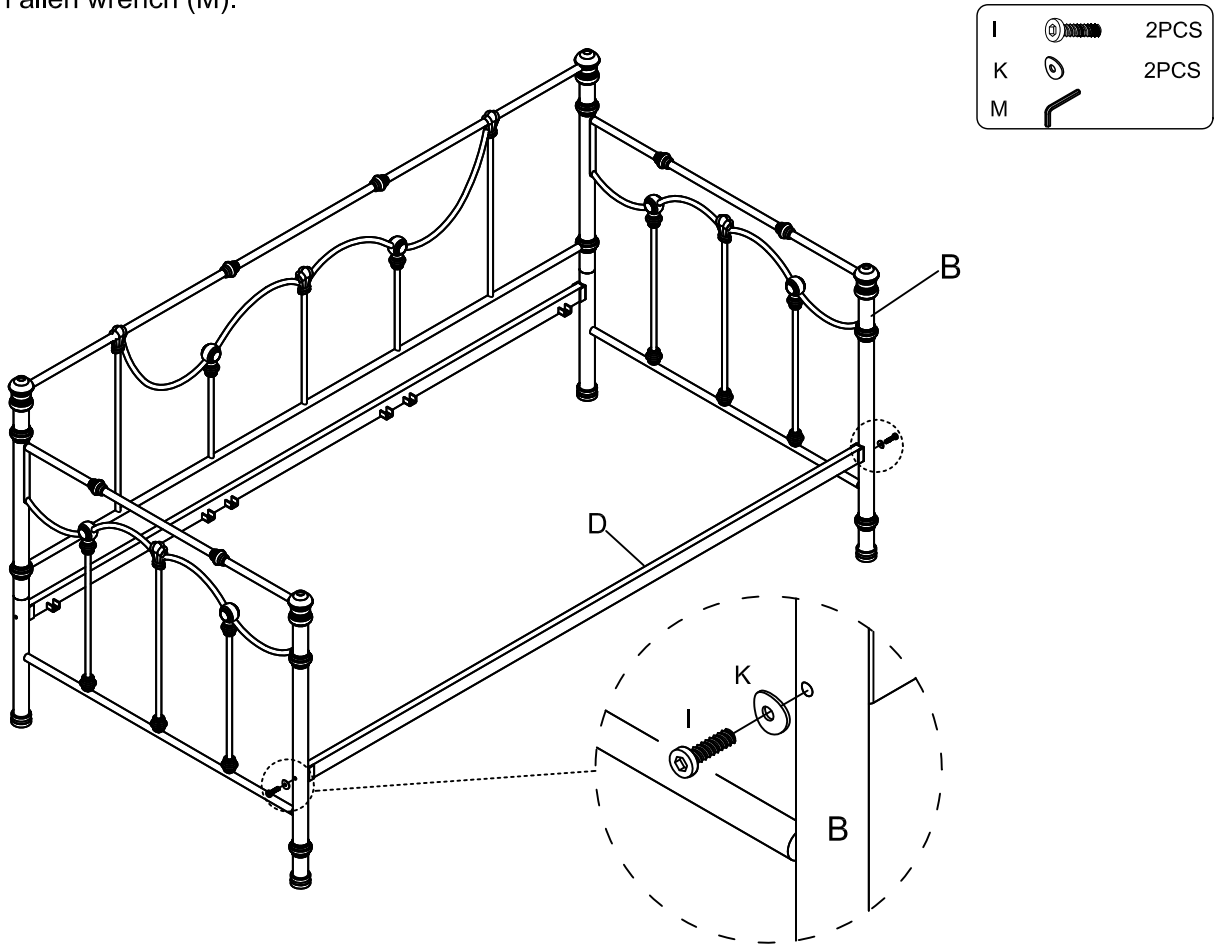


3

Assemble the side panel (B) to the back panel (A) and the extension leg (C) with 4pcs bolts (H), then fastened using allen wrench (L).

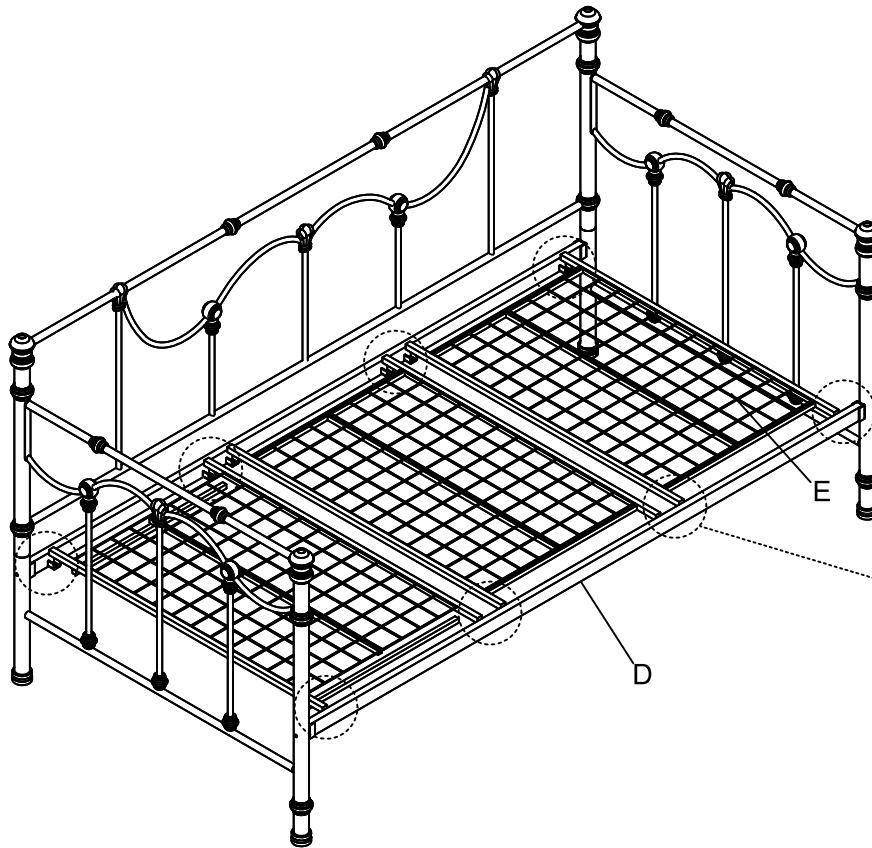
**4**




Assemble the rail (D) to the side panel (B) with 2pcs bolts (I) and 2pcs flat washers (K), then tighten with allen wrench (M).

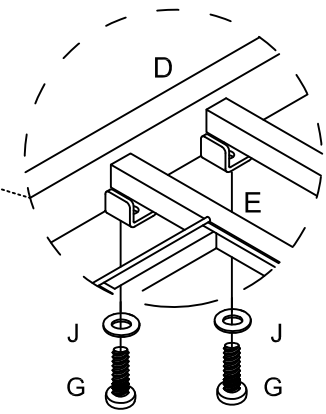


5

Assemble the mattress frame (E) to the rail (D) with 12pcs bolts (G) and 12pcs flat washers (J), then tighten with allen wrench (L).

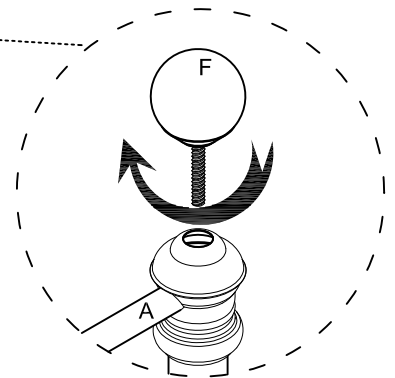
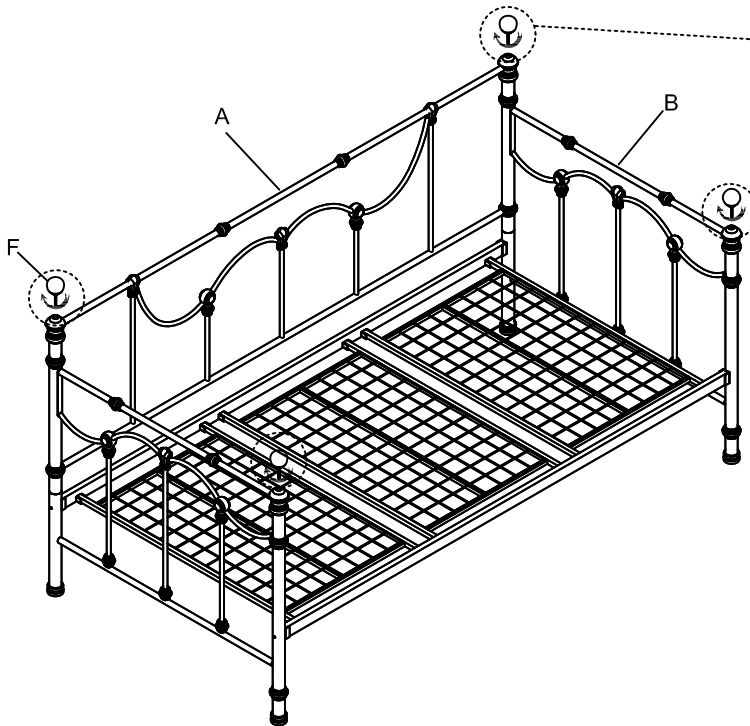


- G  12PCS
- J  12PCS
- L 



6

Assemble the final (F) to the back panel (A) and the side panel (B).



Cleaning & Care

Treat surface with care. Surface is resistant to scratches but is not scratch resistant. Clean surfaces with a dry or damp soft cloth. Do not use abrasive cleaners. Hardware may loosen over time. Periodically check that all connections are tight.