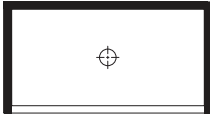


ADV

BY JETTA

SHOWER BASE COLLECTION



SEE DIMENSION REFERENCE KEY ON REVERSE

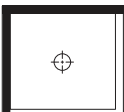
RECTANGLE | CENTER DRAIN

Model	A	B	C	D	E	F	G	H	I	J
	LENGTH	WIDTH	THRESHOLD	TRAY LENGTH	DRAIN LENGTH	RIM	TRAY WIDTH	DRAIN WIDTH	FLANGE WIDTH	FLANGE
SB--6048C-WT-A	60"	48"	3"	55 1/2"	30"	2 1/4"	43 1/2"	24"	1/4"	1"
SB--6042C-WT-A	60"	42"	3"	55 1/2"	30"	2 1/4"	37 1/2"	21"	1/4"	1"
SB--6038C-WT-A	60"	38"	3"	55 1/2"	30"	2 1/4"	33 1/2"	19"	1/2"	1"
SB--6036C-WT-A	60"	36"	3"	55 1/2"	30"	2 1/4"	31 1/2"	18"	1/2"	1"
SB--6034C-WT-A	60"	34"	3"	55 1/2"	30"	2 1/4"	29 1/2"	17"	1/2"	1"
SB--6032C-WT-A	60"	32"	3"	55 1/2"	30"	2 1/4"	27 1/2"	16"	1/2"	1"
SB--4842C-WT-A	48"	42"	3"	43 1/2"	24"	2 1/4"	37 1/2"	21"	1/2"	1"
SB--4836C-WT-A	48"	36"	3"	43 1/2"	24"	2 1/4"	31 1/2"	18"	1/2"	1"
SB--4834C-WT-A	48"	34"	3"	43 1/2"	24"	2 1/4"	29 1/2"	17"	1/2"	1"
SB--4832C-WT-A	48"	32"	3"	43 1/2"	24"	2 1/4"	27 1/2"	16"	1/2"	1"
SB--4236C-WT-A	42"	36"	3"	37 1/2"	21"	2 1/4"	31 1/2"	18"	1/2"	1"
SB--4234C-WT-A	42"	34"	3"	37 1/2"	21"	2 1/4"	29 1/2"	17"	1/2"	1"
SB--3642C-WT-A	36"	42"	3"	31 1/2"	18"	2 1/4"	37 1/2"	21"	1/2"	1"



SQUARE | CENTER DRAIN | SINGLE THRESHOLD

Model	A	B	C	D	E	F	G	H	I	J
	LENGTH	WIDTH	THRESHOLD	TRAY LENGTH	DRAIN LENGTH	RIM	TRAY WIDTH	DRAIN WIDTH	FLANGE WIDTH	FLANGE
SB--4848C-WT-A	48"	48"	3"	43 1/2"	24"	2 1/4"	43 1/2"	24"	1/2"	1"
SB--4242C-WT-A	42"	42"	3"	37 1/2"	21"	2 1/4"	37 1/2"	21"	1/2"	1"
SB--3636C-WT-A	36"	36"	3"	31 1/2"	18"	2 1/4"	31 1/2"	18"	1/2"	1"



SQUARE | CENTER DRAIN | DOUBLE THRESHOLD

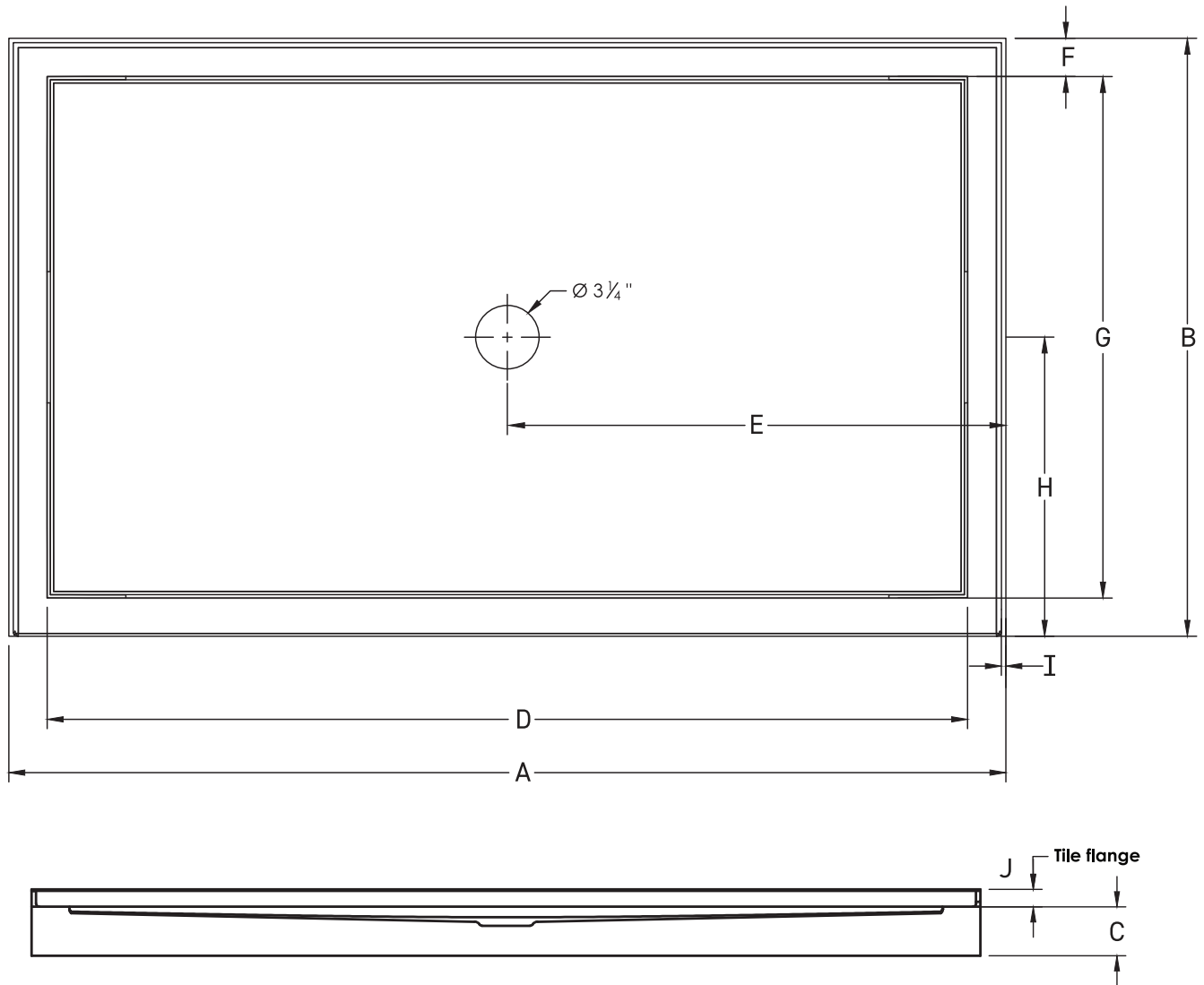
Model	A	B	C	D	E	F	G	H	I	J
	LENGTH	WIDTH	THRESHOLD	TRAY LENGTH	DRAIN LENGTH	RIM	TRAY WIDTH	DRAIN WIDTH	FLANGE WIDTH	FLANGE
SB--4242C-WT-D	42"	42"	3"	37 1/2"	21"	2 1/4"	37 1/2"	21"	1/2"	1"
SB--3636C-WT-D	36"	36"	3"	31 1/2"	18"	2 1/4"	31 1/2"	18"	1/2"	1"

Installation: Measure shower base prior to installation.

For best results, Jetta Corporation recommends 1"-3" of mortar bedding under the shower base for maximum support. Dimensional variance on drawings may be +/- 1/2 inch and are subject to change without notice.

JETTACORP.COM

DIMENSION REFERENCE KEY

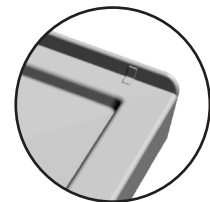


Features:

- Acrylic
- Molded tile flange
- 3" Threshold
- Supports eliminate flex
- 10-year limited warranty



Drain sold separately.
Item #SBD-PC.



Leak-Barrier