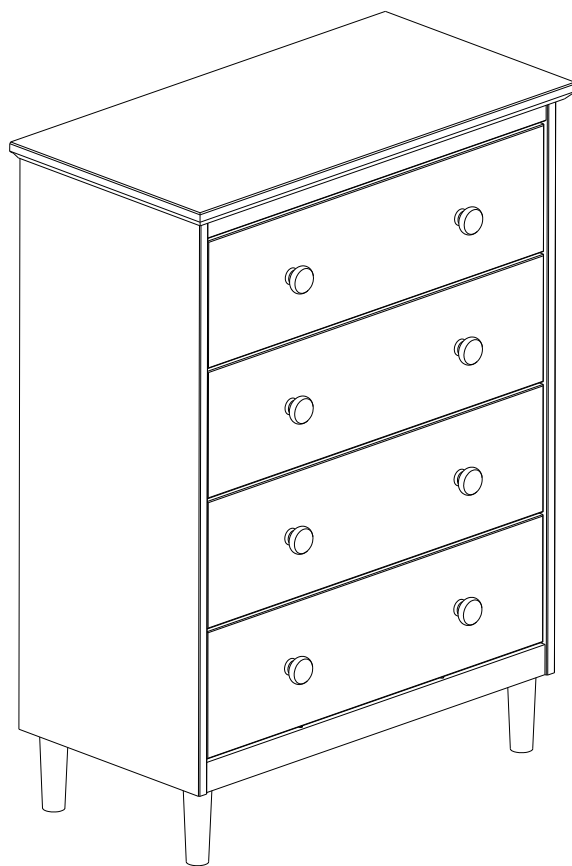


Item # : BR4DDR

Assembly Instructions

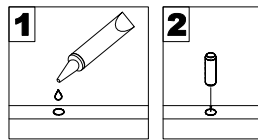


Please visit our website for the most current instructions, assembly tips, to report damage or request parts. www.walkerredson.com

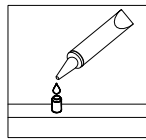
Revised 07/2020

General Assembly Guidelines

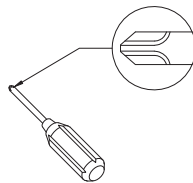
- I. Ensure that all parts and hardware are available before beginning assembly.
- II. Follow each step carefully to ensure the proper assembly of this product.
- III. Two people are recommended for ease in the assembly of this product.
- IV. The three main types of hardware used to assemble this product are wood dowels, screws and bolts.
- V. The provided glue is to secure wood dowels in place . When first inserting dowels , locate the appropriate hole for the dowel , place a small amount of glue in the hole and insert the dowel . Wipe away excess glue immediately.



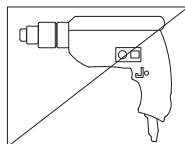
In future assembly steps when dowels are necessary to attach assembly parts together , place a small amount of glue on the end of the dowel before attaching parts together . Wipe away excess glue immediately.



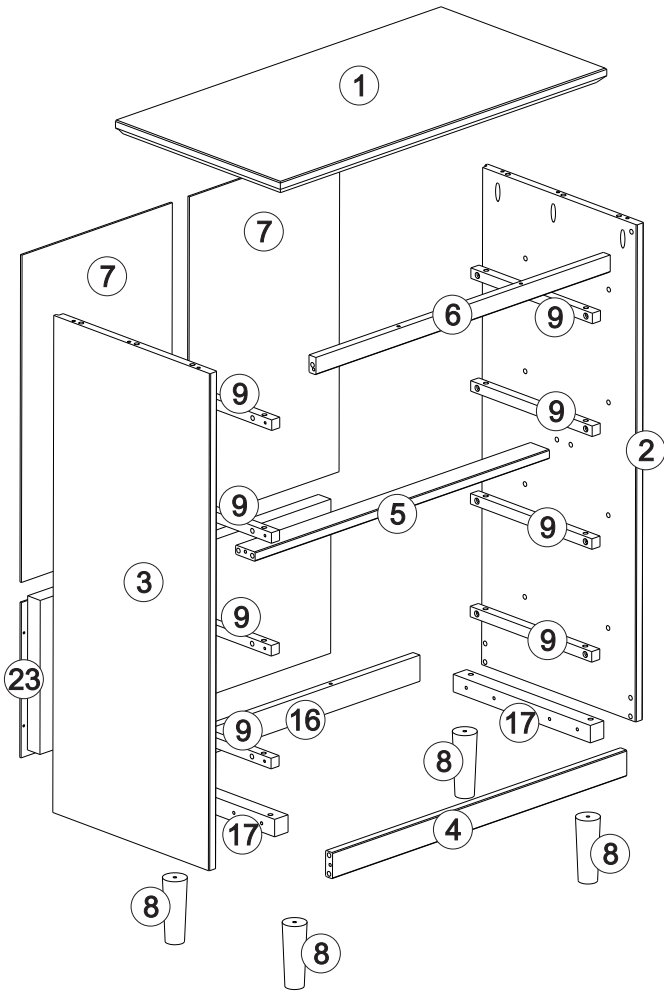
- VI. A Phillips head screwdriver is required for the assembly of this product.



- VII. Power tools should not be used to assemble this product.



Parts List



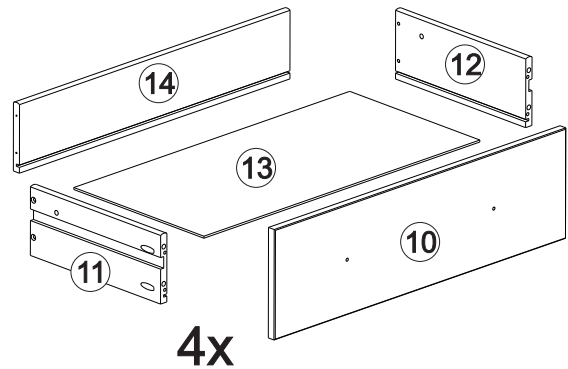
The side drawer with WARNING LABEL, should be mounted in highest drawer.

⚠ WARNING

Children have died from furniture tipover. To reduce the risk of furniture tipover:

- ALWAYS install tipover restraint provided.
- NEVER put a TV on this product.
- NEVER allow children to stand, climb or hang on drawers, doors, or shelves.
- NEVER open more than one drawer at a time.
- Place heaviest items in the lowest drawers.

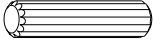
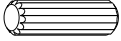




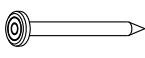
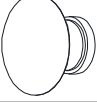
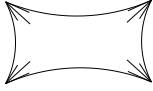
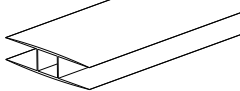
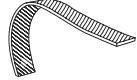


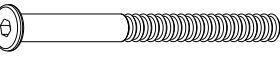


This is a permanent label. Do not remove!

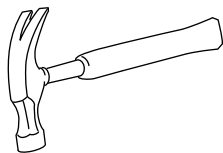


| Part# | Description | Qty |
|-------|------------------------|--------|
| 1 | Top panel | 01 pcs |
| 2 | Right side panel | 01 pcs |
| 3 | Left side panel | 01 pcs |
| 4 | Bottom front crossbeam | 01 pcs |
| 5 | Crossbeam | 01 pcs |
| 6 | Upper front crossbeam | 01 pcs |
| 7 | Back panel | 02 pcs |
| 8 | Foot | 04 pcs |

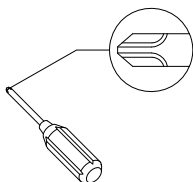
| Part# | Description | Qty |
|-------|-------------------|--------|
| 9 | Drawer runner | 08 pcs |
| 10 | Front drawer | 04 pcs |
| 11 | Left side drawer | 04 pcs |
| 12 | Right side drawer | 04 pcs |
| 13 | Drawer bottom | 04 pcs |
| 14 | Drawer back | 04 pcs |
| 16 | Back crossbeam | 01 pcs |
| 17 | Foot crossbeam | 02 pcs |
| 23 | Anti-tipping | 01 pcs |

Hardware List

| | | | | |
|---|---|-----------|--------------|--------|
| A |  | Ø8*30mm | Wooden dowel | 52 pcs |
| B |  | Ø8*20mm | Wooden dowel | 16 pcs |
| C |  | Ø3,5*25mm | Screw | 16 pcs |
| D |  | Ø3,5*30mm | Screw | 52 pcs |
| E |  | M4*22mm | Screw | 08 pcs |
| F |  | Ø4,5*45mm | Screw | 08 pcs |
| G |  | Ø10*10 | Nail | 18 pcs |
| H |  | | Knob | 08 pcs |
| I |  | | Glue | 01 pcs |
| J |  | 540 mm | "H" Profile | 01 pc |
| K |  | | Wall anchor | 01 pc |
| L |  | | Washer | 02 pc |
| M |  | | Ø6mm | 01 pc |
| N |  | Ø7*80mm | Screw | 04 pcs |
| O |  | | Allen key | 01 pcs |
| P |  | Ø3,5*16mm | Screw | 04 pcs |



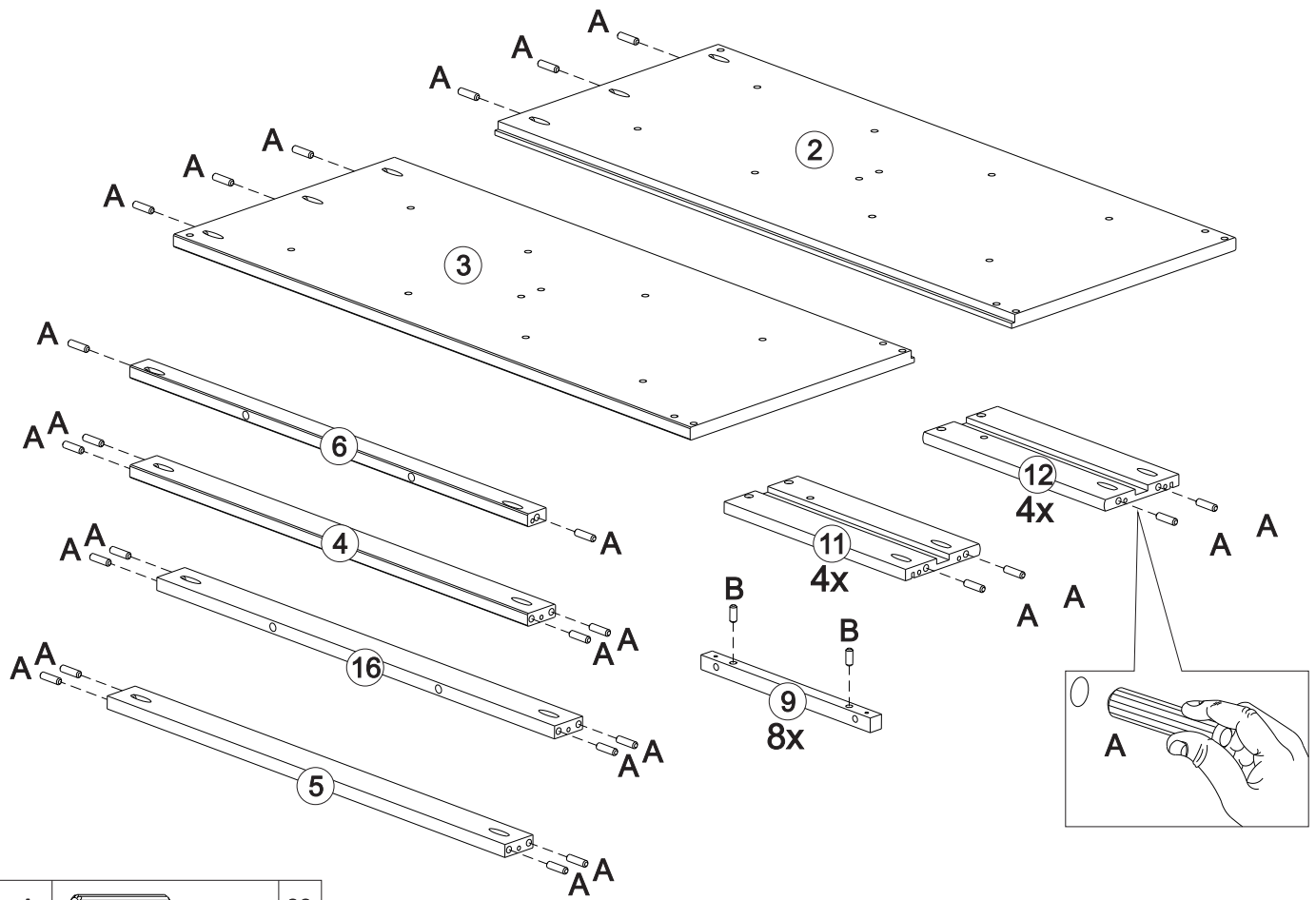
Hammer recommended for assembly
(not included)



Philips head screwdriver required for assembly
(not included)

*The hardware quantities listed above are required for proper assembly.
Some extra hardware may also have been included.*

Step 1



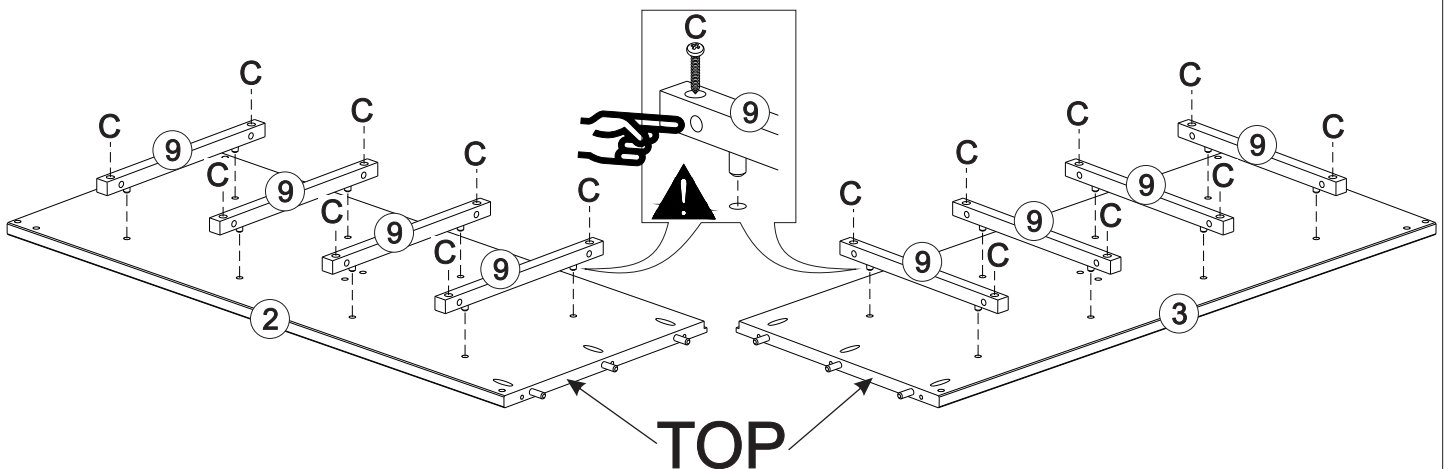
| | | | |
|---|--|---------|----|
| A | | ∅8*30mm | 36 |
| B | | ∅8*20mm | 16 |
| I | | | 01 |

Insert wood dowel (A) and glue (I) into parts (2, 3, 4, 5, 6, 11, 12).

Insert wood dowel (B) and glue (I) into part (9).

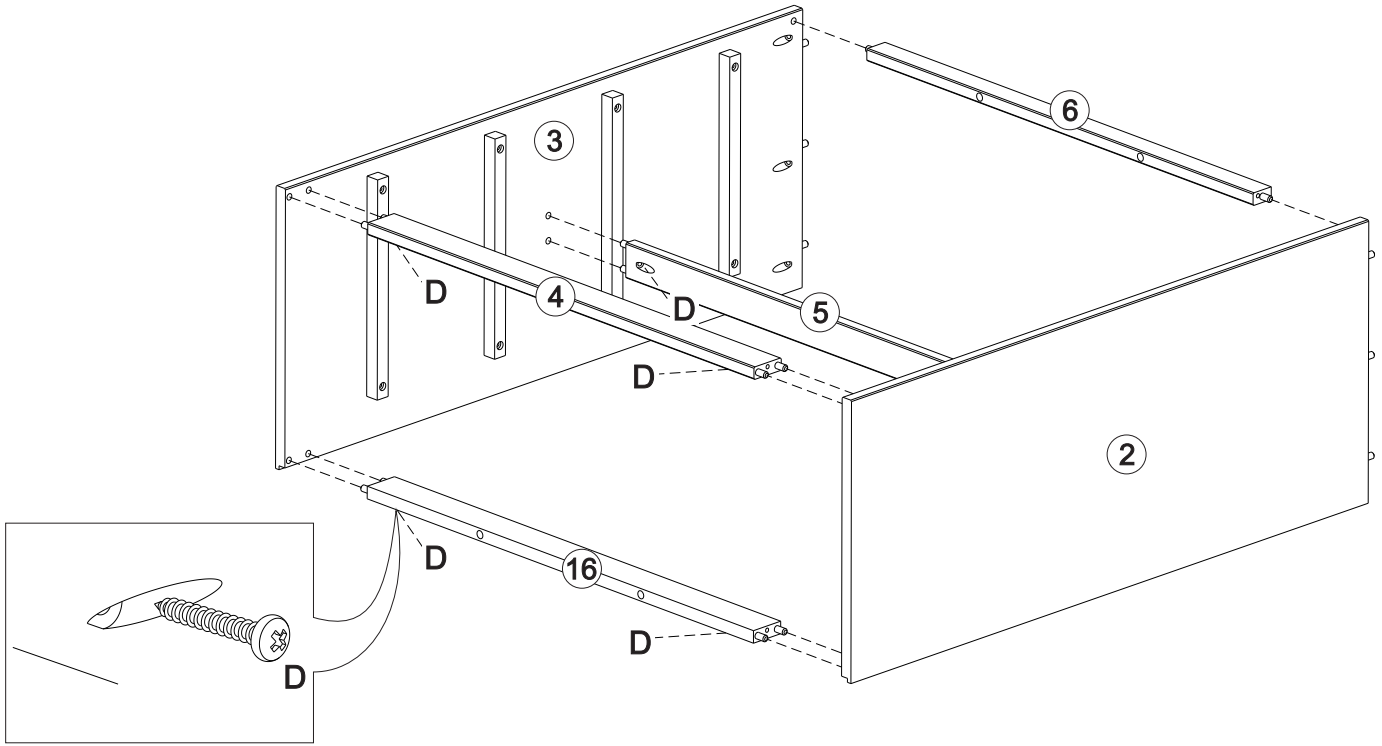
Step 2

Use screw (C) to attach parts (2,3) to part (9)



| | | | |
|---|--|-----------|----|
| C | | ∅3,5*25mm | 16 |
|---|--|-----------|----|

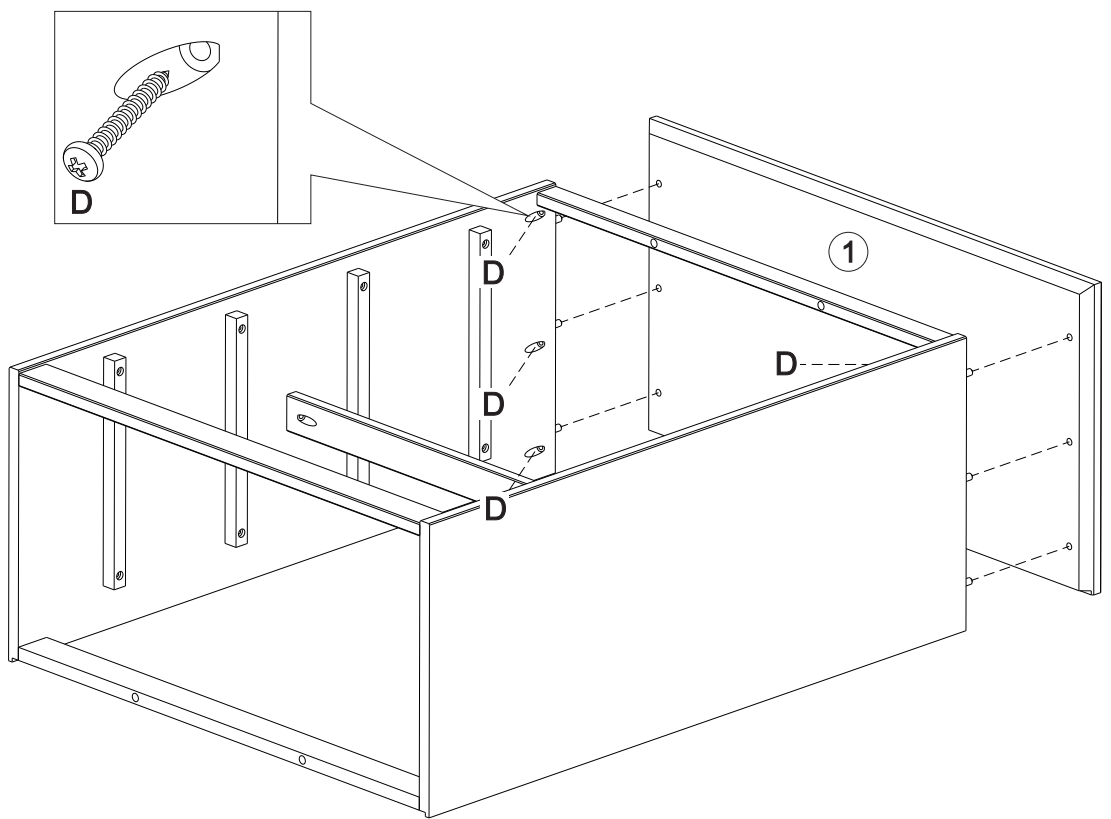
Step 3



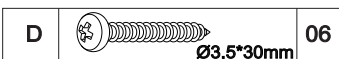
Secure front cross beam (4,5,6)
to panels (2,3) using screw (D)



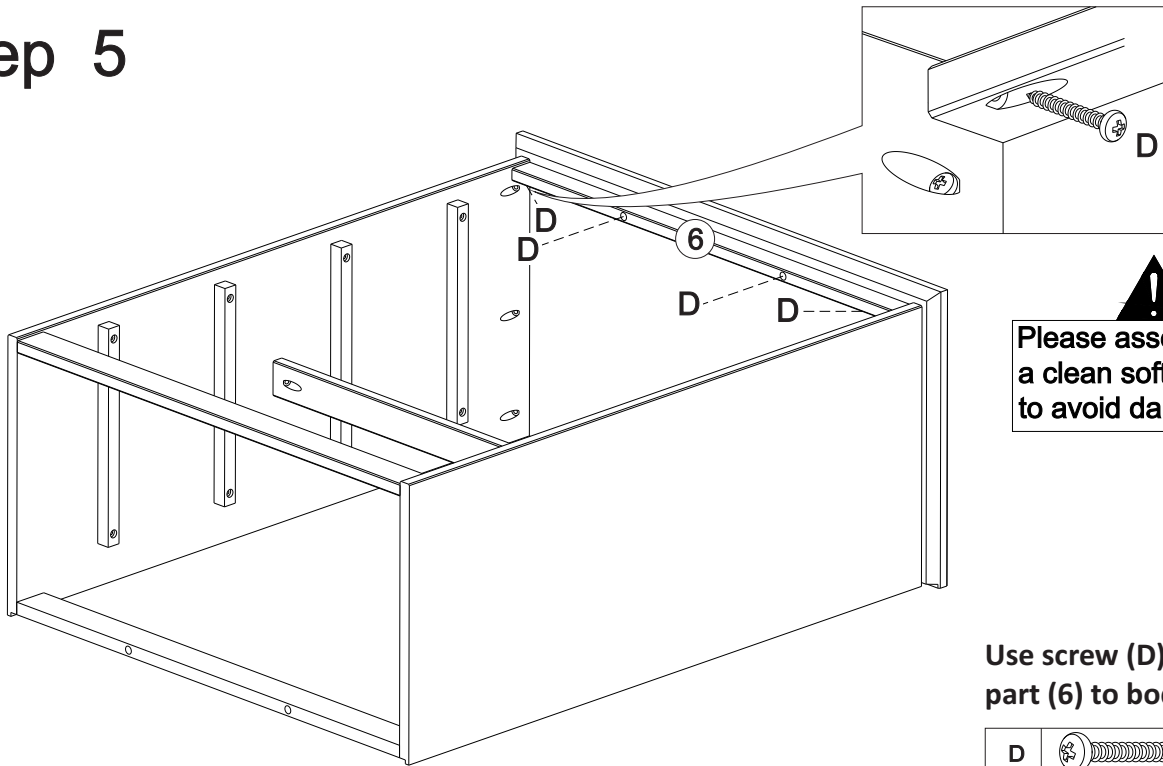
Step 4



Use screw (D) to attach
part (1) to body




Step 5

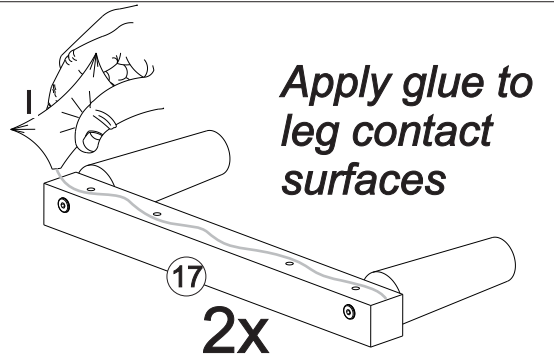
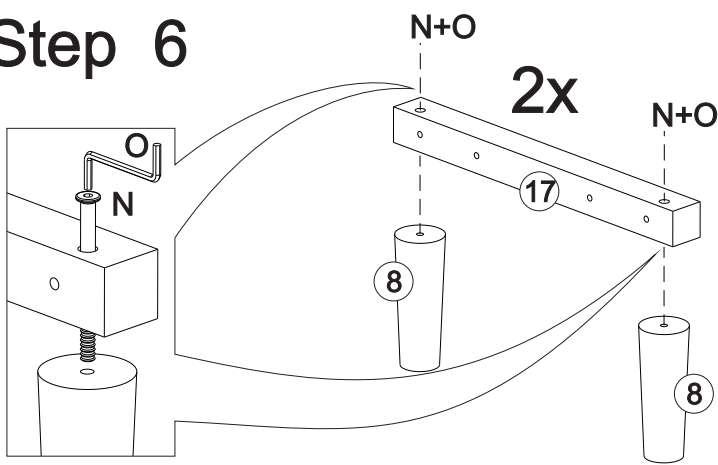


!
Please assemble on a clean soft surface to avoid damage.



Use screw (D) to attach part (6) to body

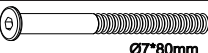

| | | |
|--------------------------|---|----|
| D |  | 04 |
| <small>Ø3,5*30mm</small> | | |

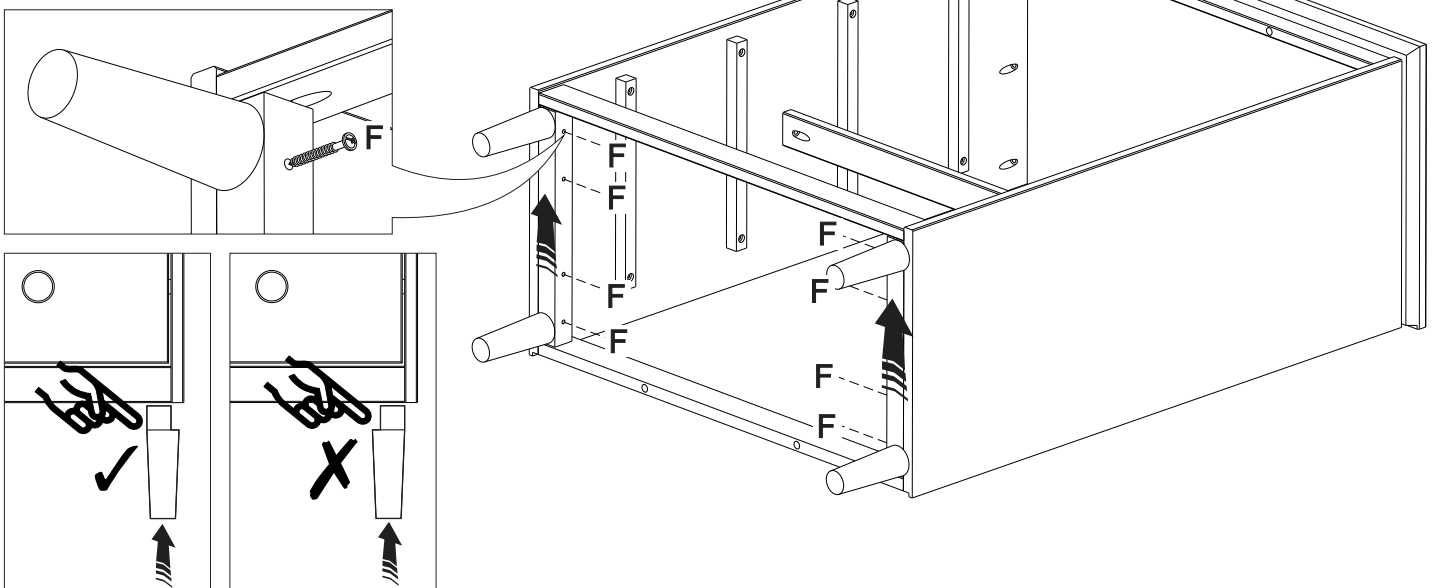
Step 6



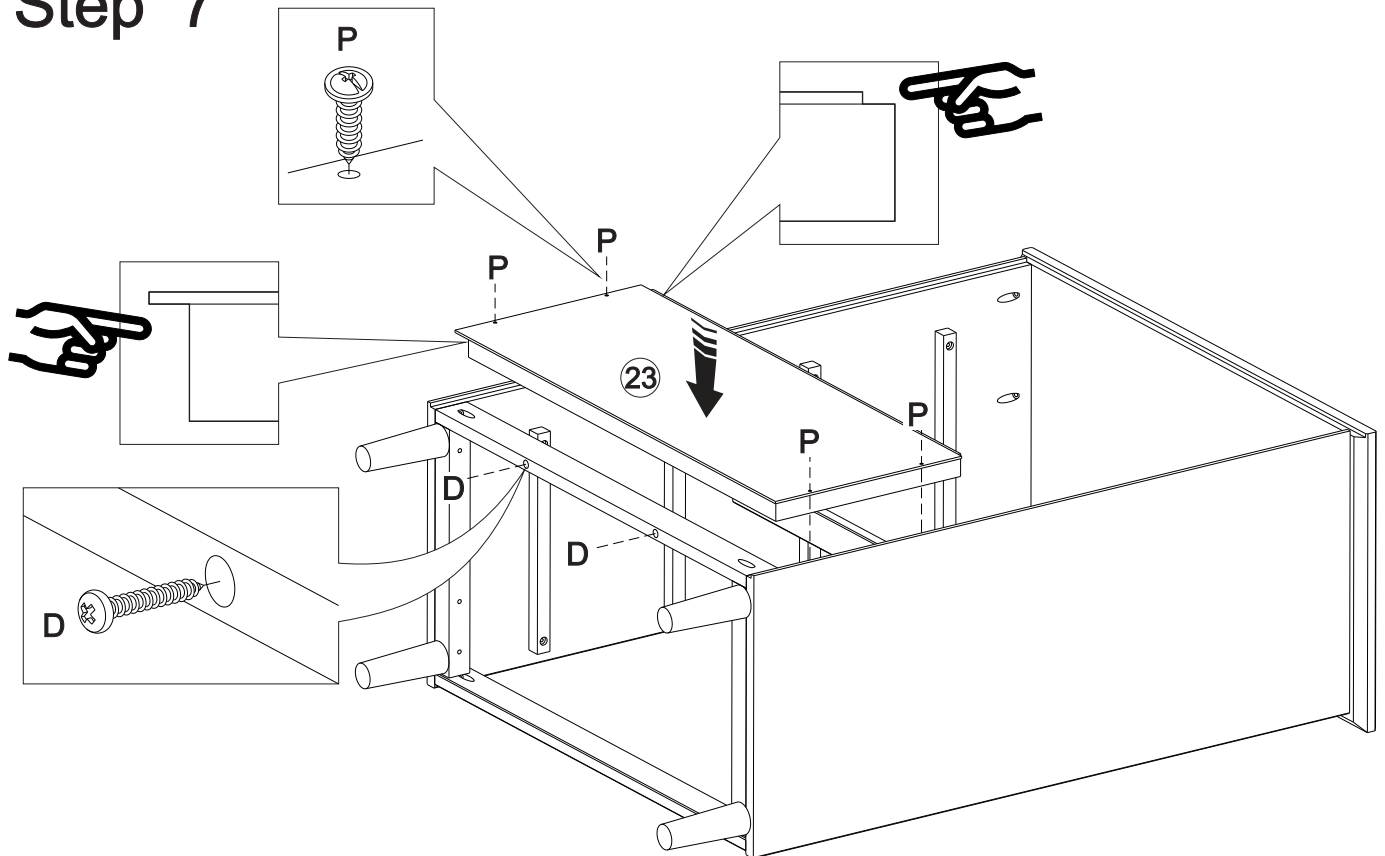
Use screw (N) to attach part (17) to part (8) and key (O).
Attach parts (8) with screws(F) and glue (I).



| | | |
|--------------------------|---|----|
| F |  | 08 |
| <small>Ø4,5*45mm</small> | | |
| I |  | 01 |
| <small>Glue tube</small> | | |

| | | |
|--------------------------|---|----|
| N |  | 04 |
| <small>Ø7*80mm</small> | | |
| O |  | 01 |
| <small>Allen key</small> | | |



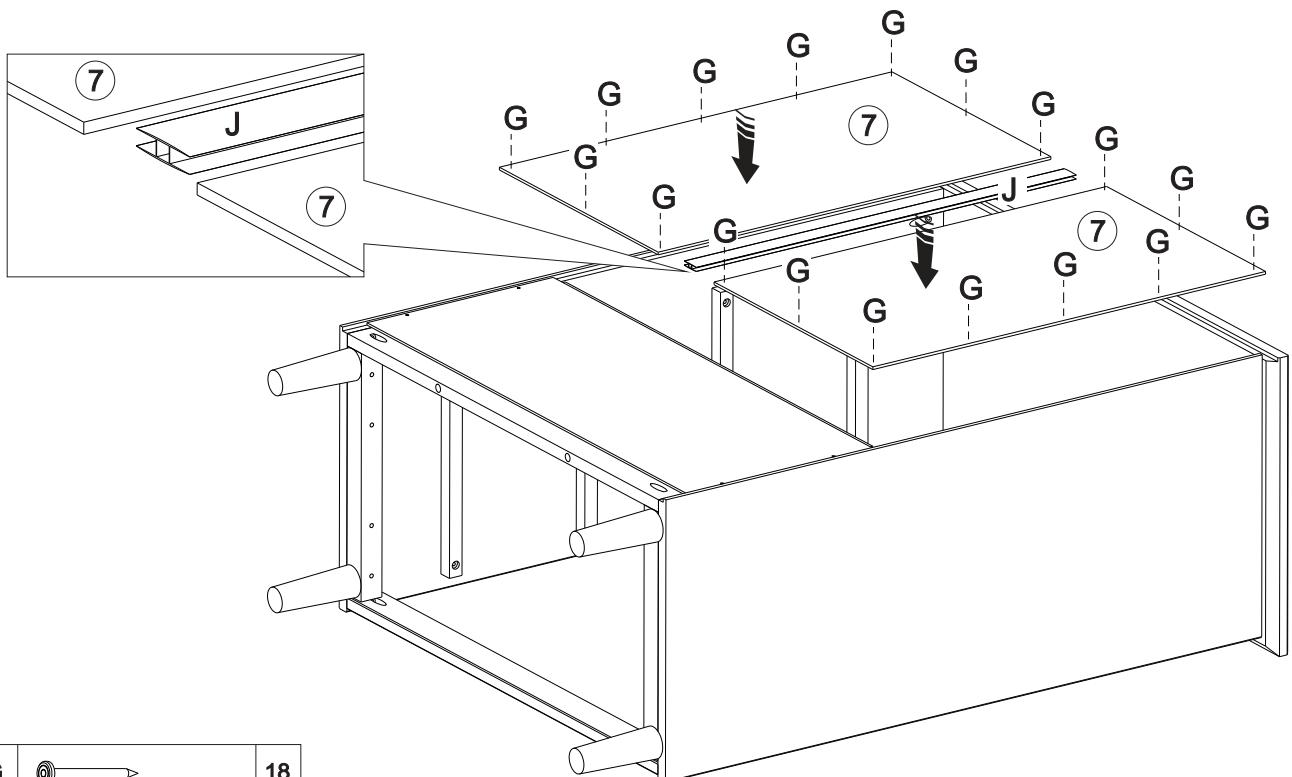
Step 7





| | | |
|---|---|----|
| D |  | 02 |
| | Ø3,5*30mm | |
| P |  | 04 |
| | Ø3,5*16mm | |

Secure anti-tipping (23) using screws (D) (P)

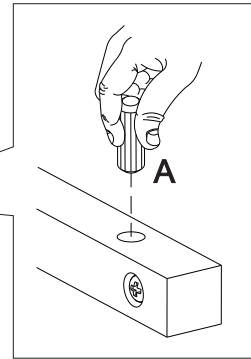
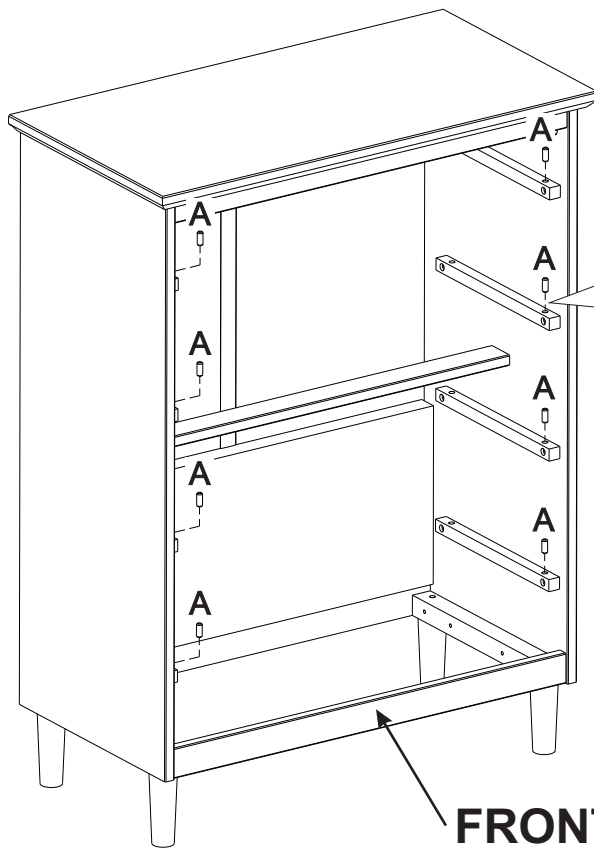
Step 8



| | | |
|---|---|----|
| G |  | 18 |
| | Ø10*10 | |
| J |  | 01 |
| | 540mm | |

Secure back panel (7) with part (J) to body with nails (G)

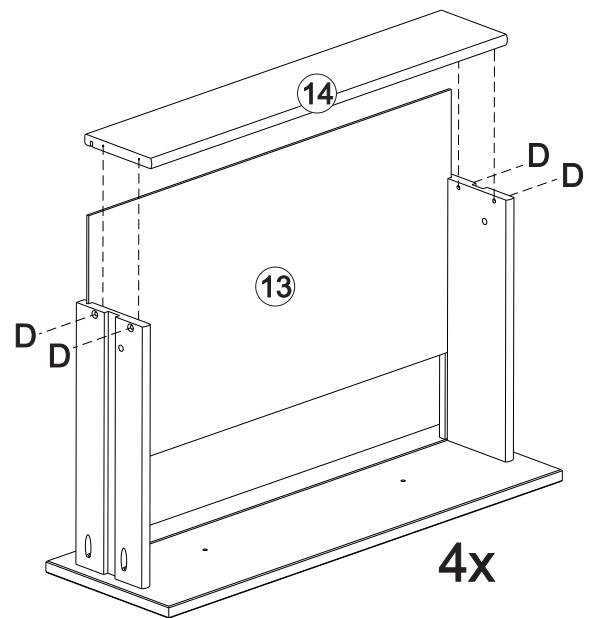
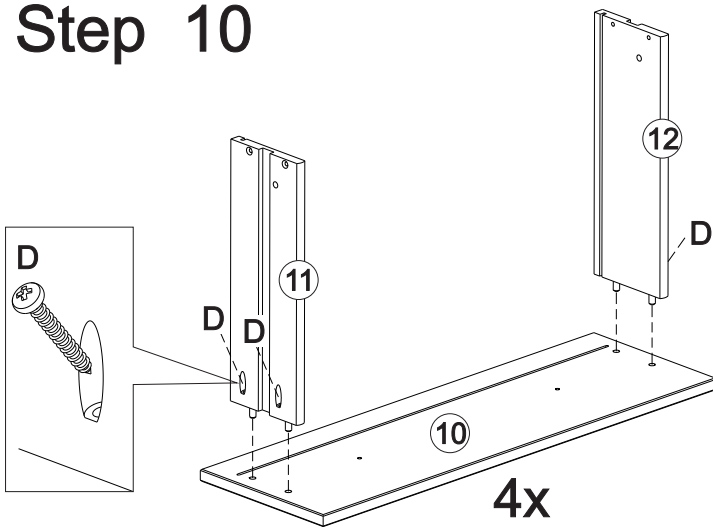
Step 9



Insert wood dowel (A) into part (9) (Runner small).

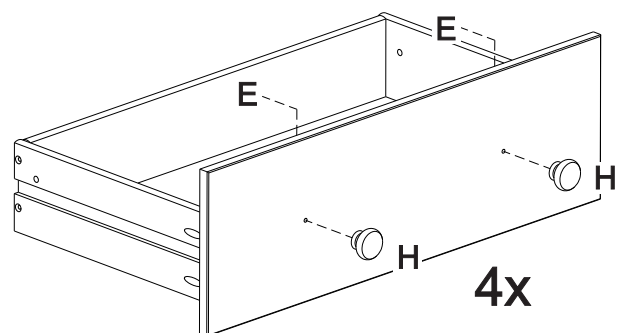
| | | | |
|---|--|---------|----|
| A | | Ø8*30mm | 08 |
|---|--|---------|----|

Step 10

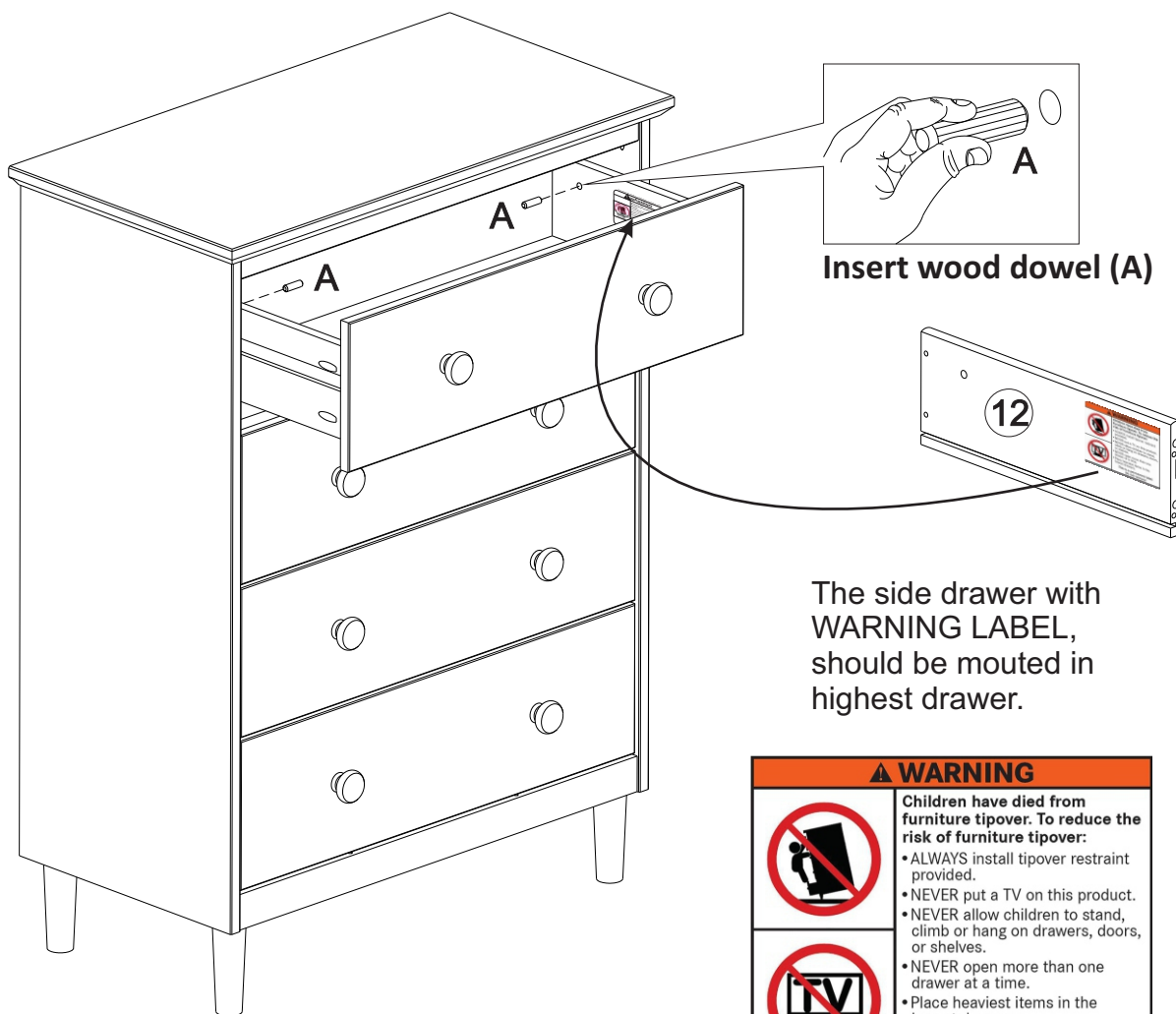


Attach parts (11,12) to part (10), insert panel (13) into grooves and secure part (14) with screws(D)
Insert knob (H) with screws(E).

| | | | |
|---|--|-----------|----|
| D | | Ø3,5*30mm | 32 |
| E | | M4x22mm | 08 |
| H | | | 08 |



Step 11

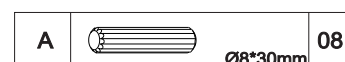


Insert wood dowel (A)

The side drawer with WARNING LABEL, should be mounted in highest drawer.

| ⚠ WARNING | |
|---|---|
|  | Children have died from furniture tipover. To reduce the risk of furniture tipover: <ul style="list-style-type: none">• ALWAYS install tipover restraint provided.• NEVER put a TV on this product.• NEVER allow children to stand, climb or hang on drawers, doors, or shelves.• NEVER open more than one drawer at a time.• Place heaviest items in the lowest drawers. <i>This is a permanent label. Do not remove!</i> |
|  | |

Assembly Complete!



Maintenance Guide

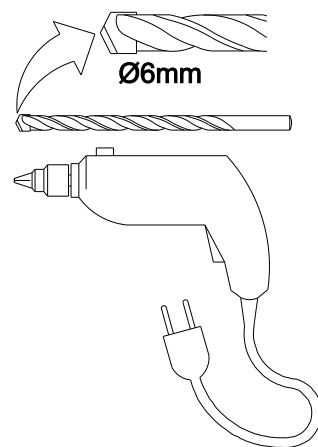
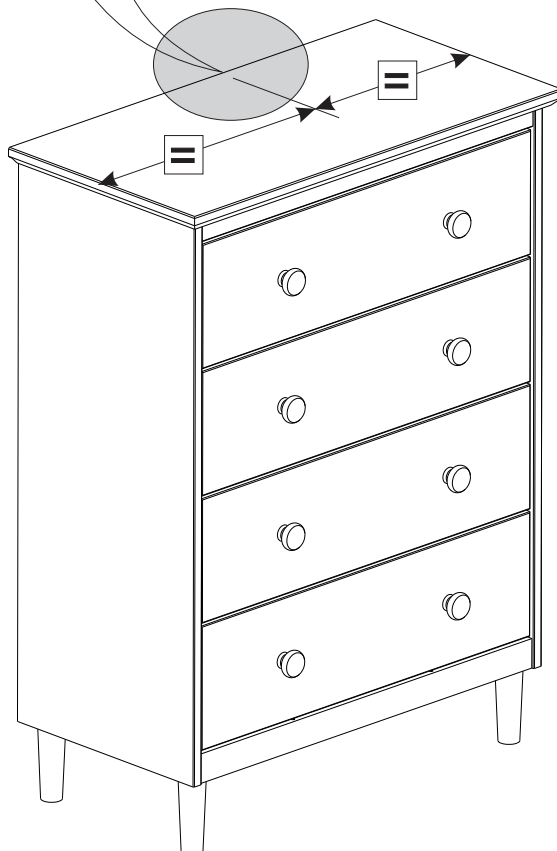
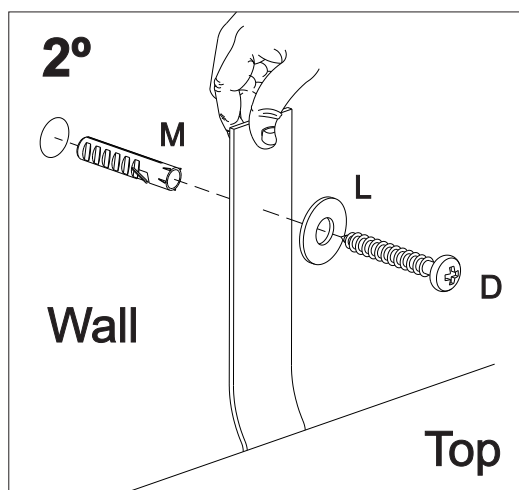
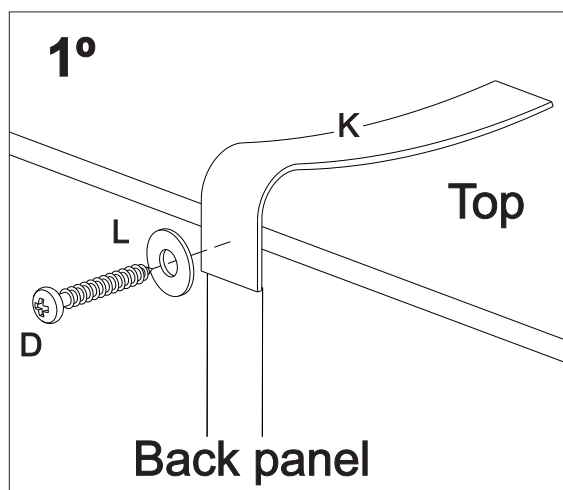
To maintain long term performance and easy gliding of your solid wood drawers, we recommend applying wax to the wooden guide rails.


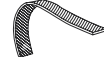


1. Bee's wax is recommended or Paraffin wax from a standard candle can be used.
2. Apply the wax by rubbing it on the wooden guide rails where there is wood-on-wood contact when opening and closing the drawer. (Wax should be room temperature, do not melt the wax onto the wood)
3. Wax should be applied every few months for the first year and then only when needed after that to keep the drawers sliding smoothly.

WARNING

Serious or fatal injuries can occur from furniture tipping over. To prevent the furniture from tipping over we recommend that it is permanently fixed to the wall.

Wall anchor and hardware are included with this product. Please make sure hardware is suitable for your walls before installing, as different wall materials may require different types of anchors.



| | | |
|---|---|----|
| D |  Ø3,5*30mm | 02 |
| K |  | 01 |
| L |  | 02 |
| M |  | 01 |