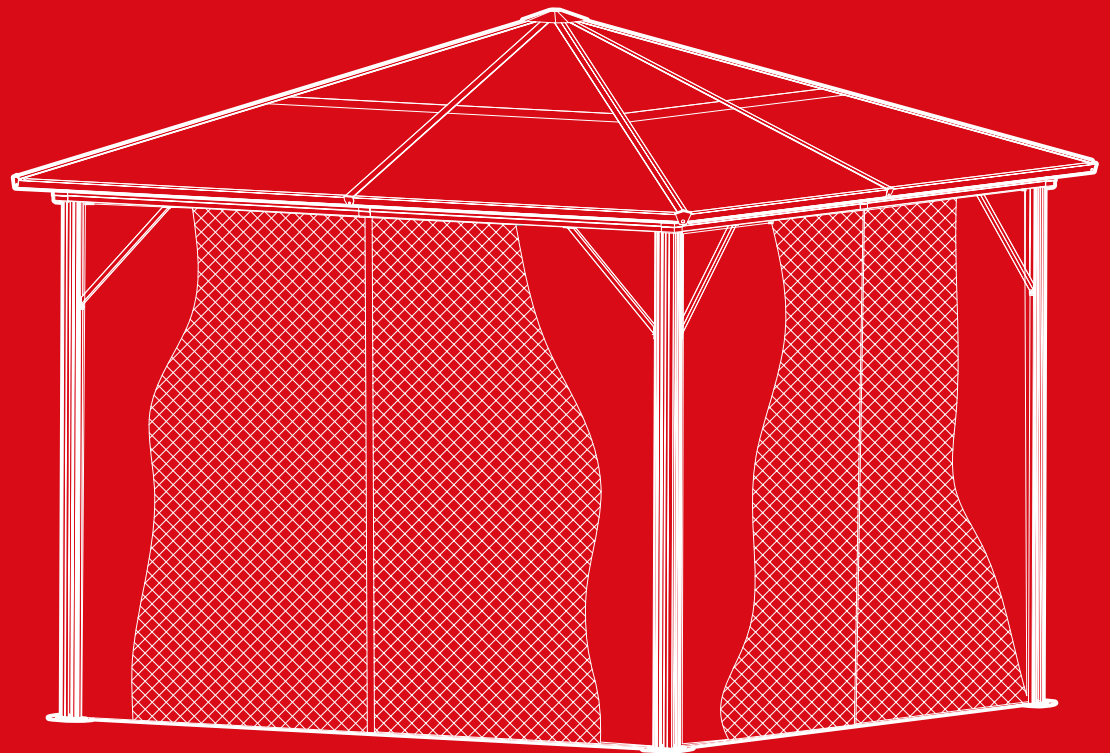




bestchoiceproducts



# INSTRUCTION MANUAL

---

Gazebo with Sidewall Curtains



**bestchoice**products

---

As shoppers, we're always trying to find the perfect balance between quality & value. At BCP, we believe we've achieved that. Our diverse catalog of everyday essentials is tailored especially to our customers & guaranteed to hit that sweet spot of high quality & low price.

— Always. —

## NOTICE

Please retain these instructions for future reference.

- Firmly secure all bolts, screws and knobs before use.
- Reconfirm that all bolts, screws, and knobs are secure every 90 days.
- Fasten screws loosely during assembly. Do not firmly tighten screws until item is fully assembled.
- Do not use or store this item in the proximity of open flame or flammable/combustible chemicals.
- Be aware that some parts are heavy and have sharp edges.
- If any parts are missing, broken, damaged, or worn, stop using this product until repairs are made and/or factory replacement parts are installed.
- Do not use this item in a way inconsistent with the manufacturer's instructions as this could void the product warranty.

## TOOLS REQUIRED

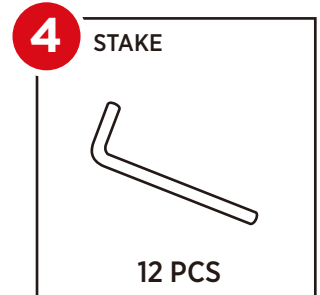
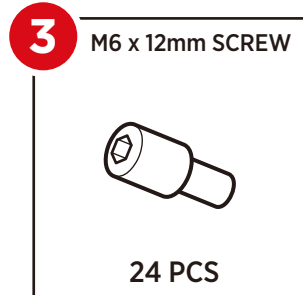
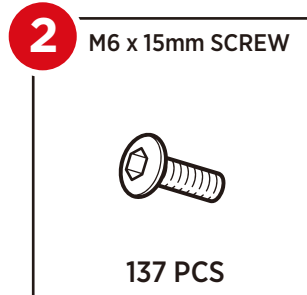
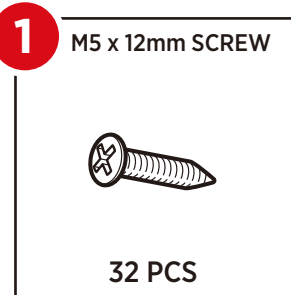


2 PERSON  
ASSEMBLY

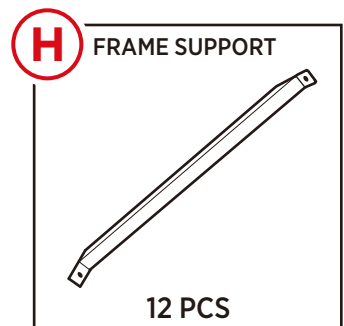
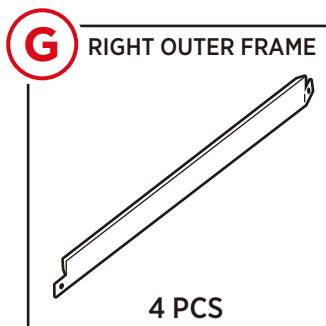
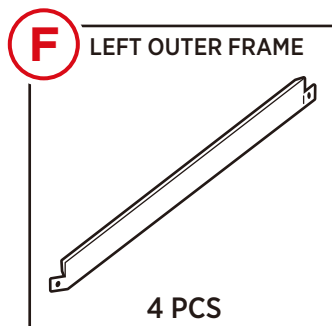
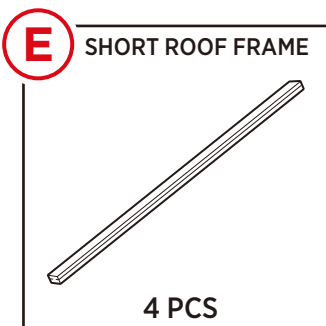
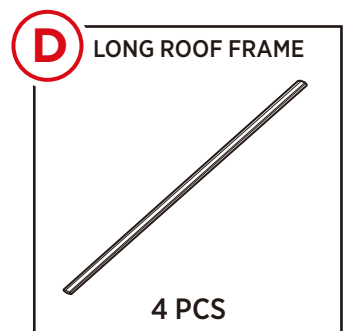
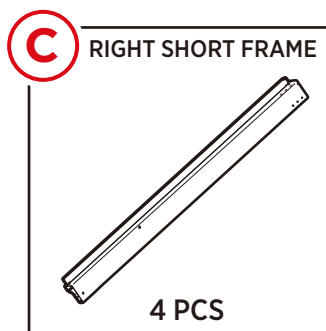
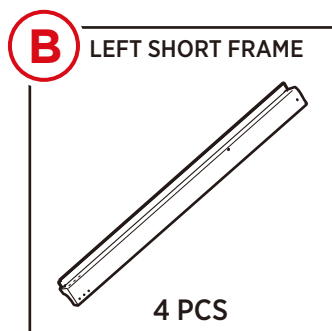
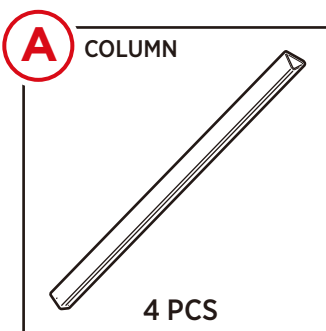


APPROXIMATELY  
120 MIN.  
ASSEMBLY

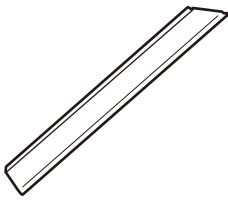
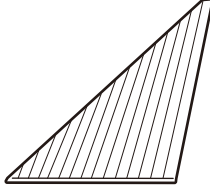
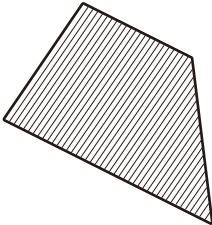
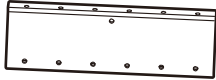
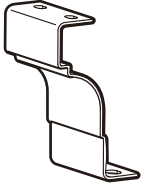
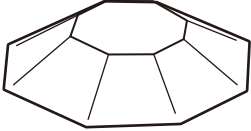

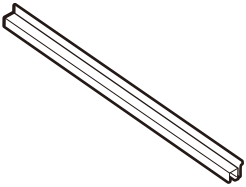
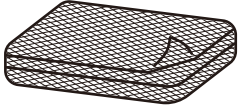



## HARDWARE



## PARTS



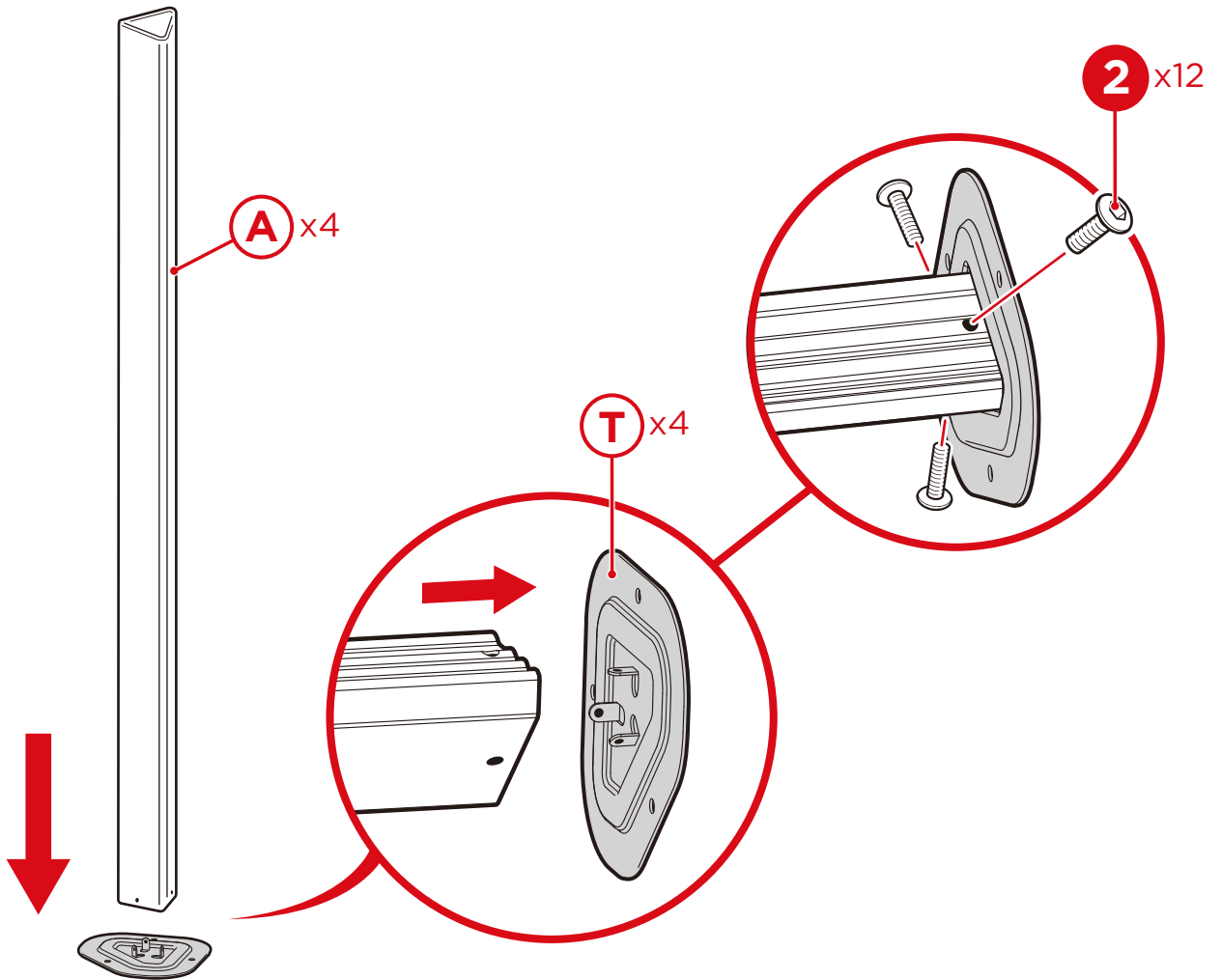
# PARTS

<p><b>I</b> LEFT MIDDLE FRAME</p>  <p>4 PCS</p>	<p><b>J</b> RIGHT MIDDLE FRAME</p>  <p>4 PCS</p>	<p><b>K</b> LEFT UPPER ROOF</p>  <p>4 PCS</p>	<p><b>L</b> RIGHT UPPER ROOF</p>  <p>4 PCS</p>
<p><b>M</b> LEFT LOWER ROOF</p>  <p>4 PCS</p>	<p><b>N</b> RIGHT LOWER ROOF</p>  <p>4 PCS</p>	<p><b>O</b> CONNECTING FRAME</p>  <p>4 PCS</p>	<p><b>P</b> CORNER COVER</p>  <p>4 PCS</p>
<p><b>Q</b> JOINT COVER</p>  <p>4 PCS</p>	<p><b>R</b> OUTER ROOF PLATE</p>  <p>1 PC</p>	<p><b>S</b> INNER ROOF PLATE</p>  <p>1 PC</p>	<p><b>T</b> BASE</p>  <p>4 PCS</p>
<p><b>U</b> TRACK</p>  <p>8 PCS</p>	<p><b>V</b> BUG NET</p>  <p>4 PCS</p>	<p><b>W</b> CURTAIN</p>  <p>4 PCS</p>	<p><b>X</b> MIDDLE PLATE</p>  <p>4 PCS</p>
<p><b>Y</b> CORNER PLATE</p>  <p>4 PCS</p>	<p><b>Z</b> HOOK</p>  <p>112 PCS</p>		

# PRODUCT ASSEMBLY

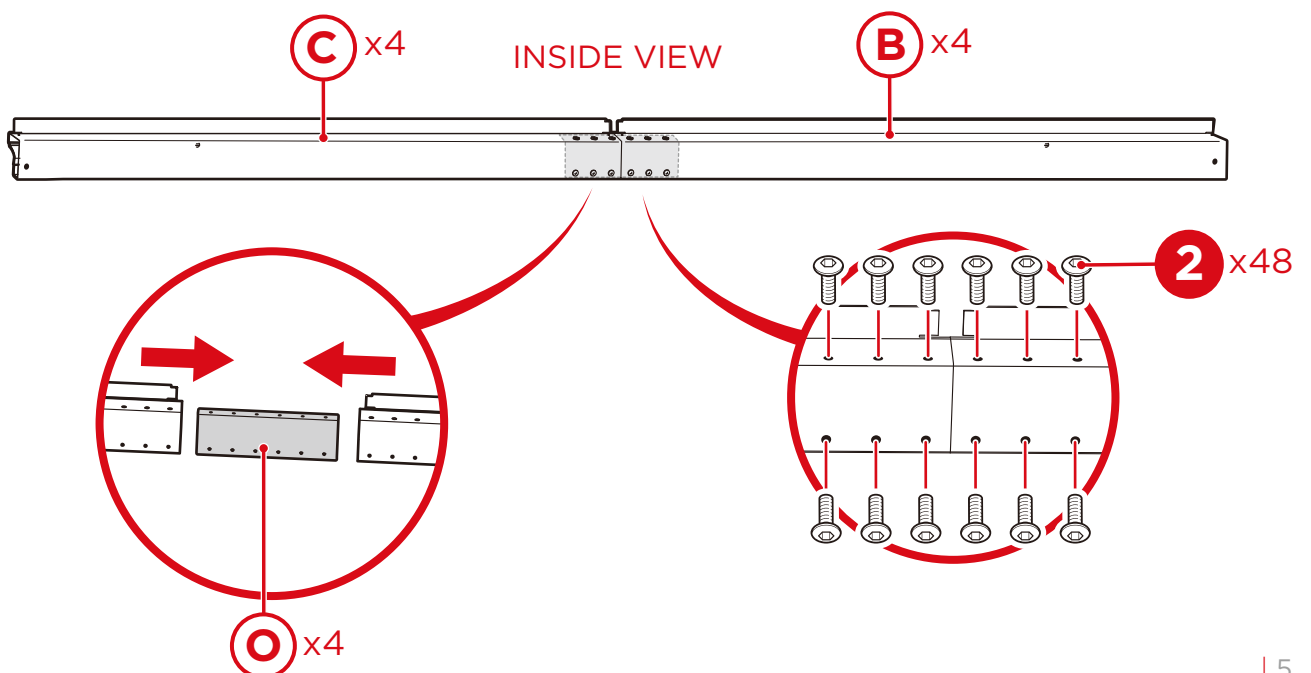
1

Attach four part T bases to four part A columns with twelve part 2 screws, three screws per base.



2

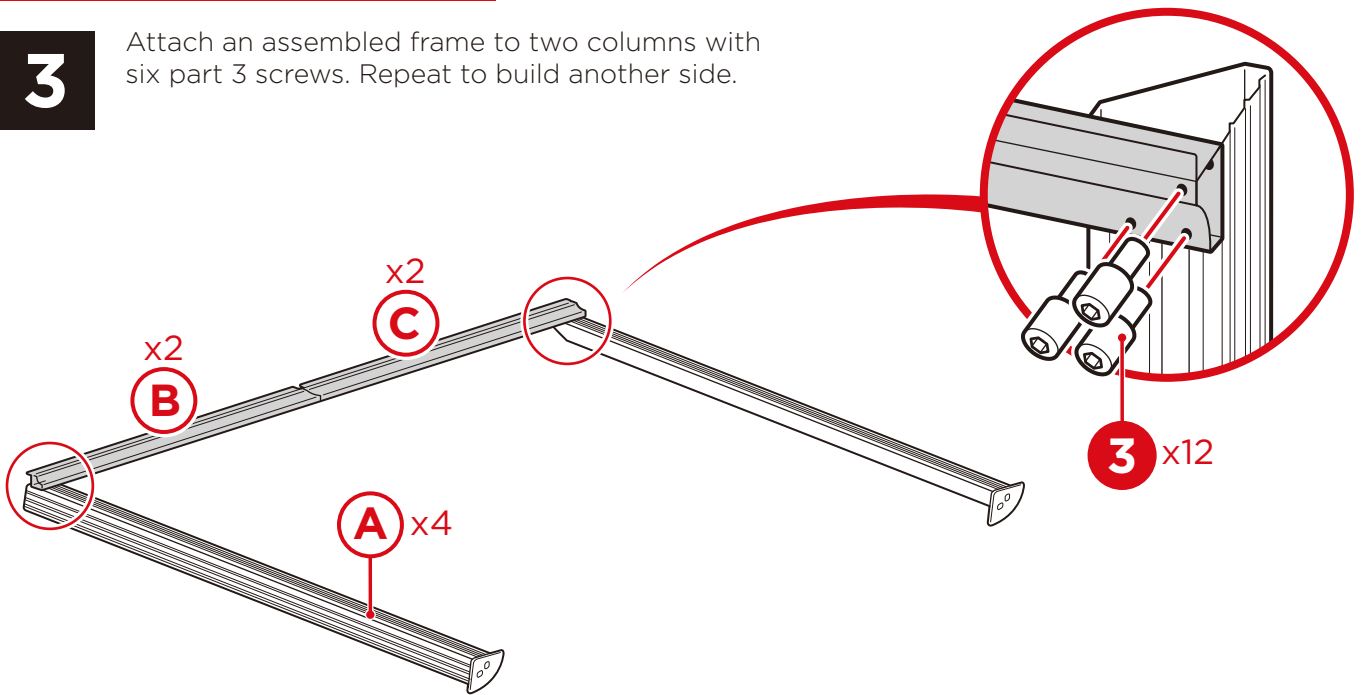
Slide a part O connecting frame inside a part B left short frame and part C right short frame, then secure the frames together with twelve part 2 screws. Repeat to build three additional frames.



## PRODUCT ASSEMBLY

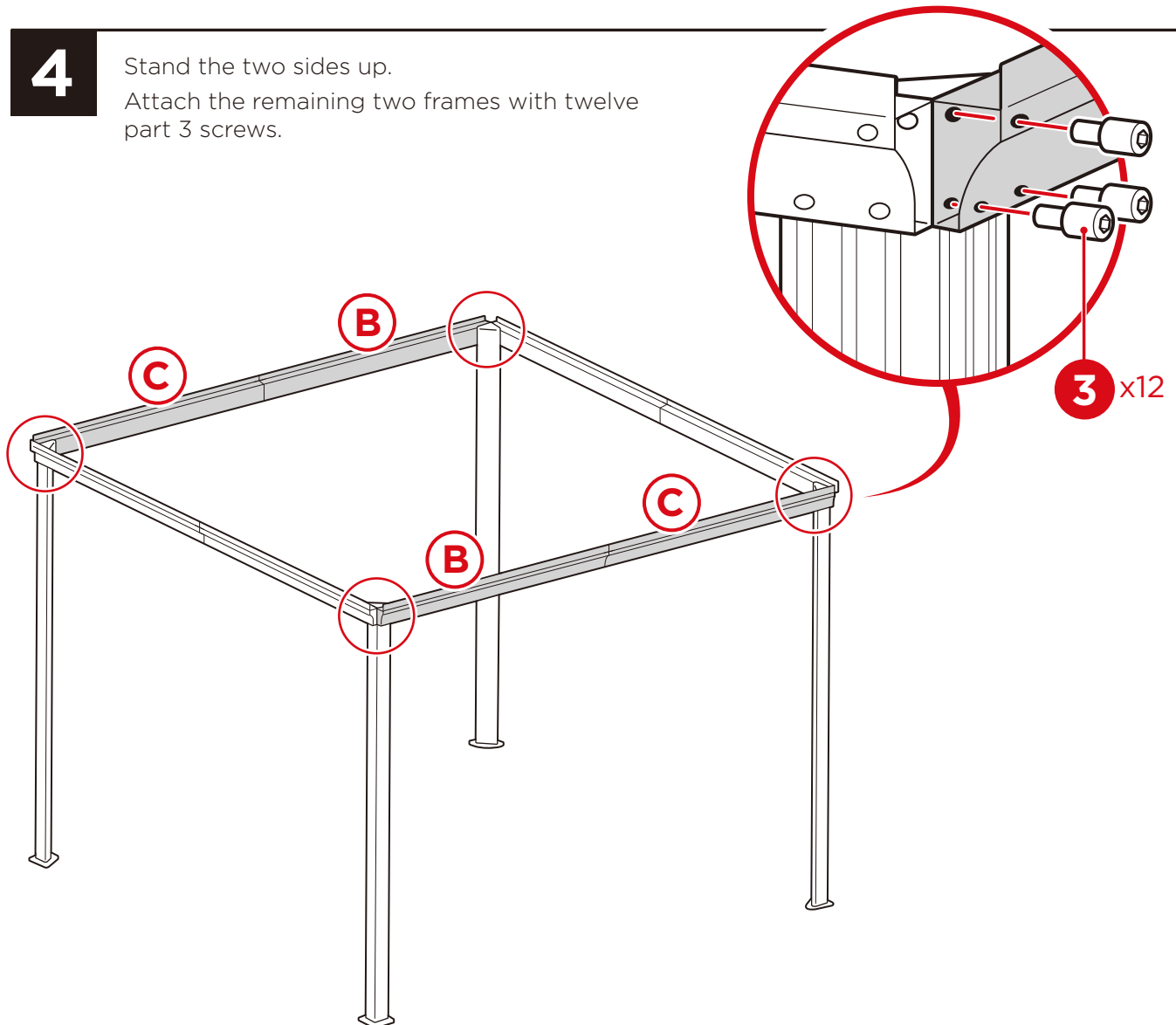
**3**

Attach an assembled frame to two columns with six part 3 screws. Repeat to build another side.



**4**

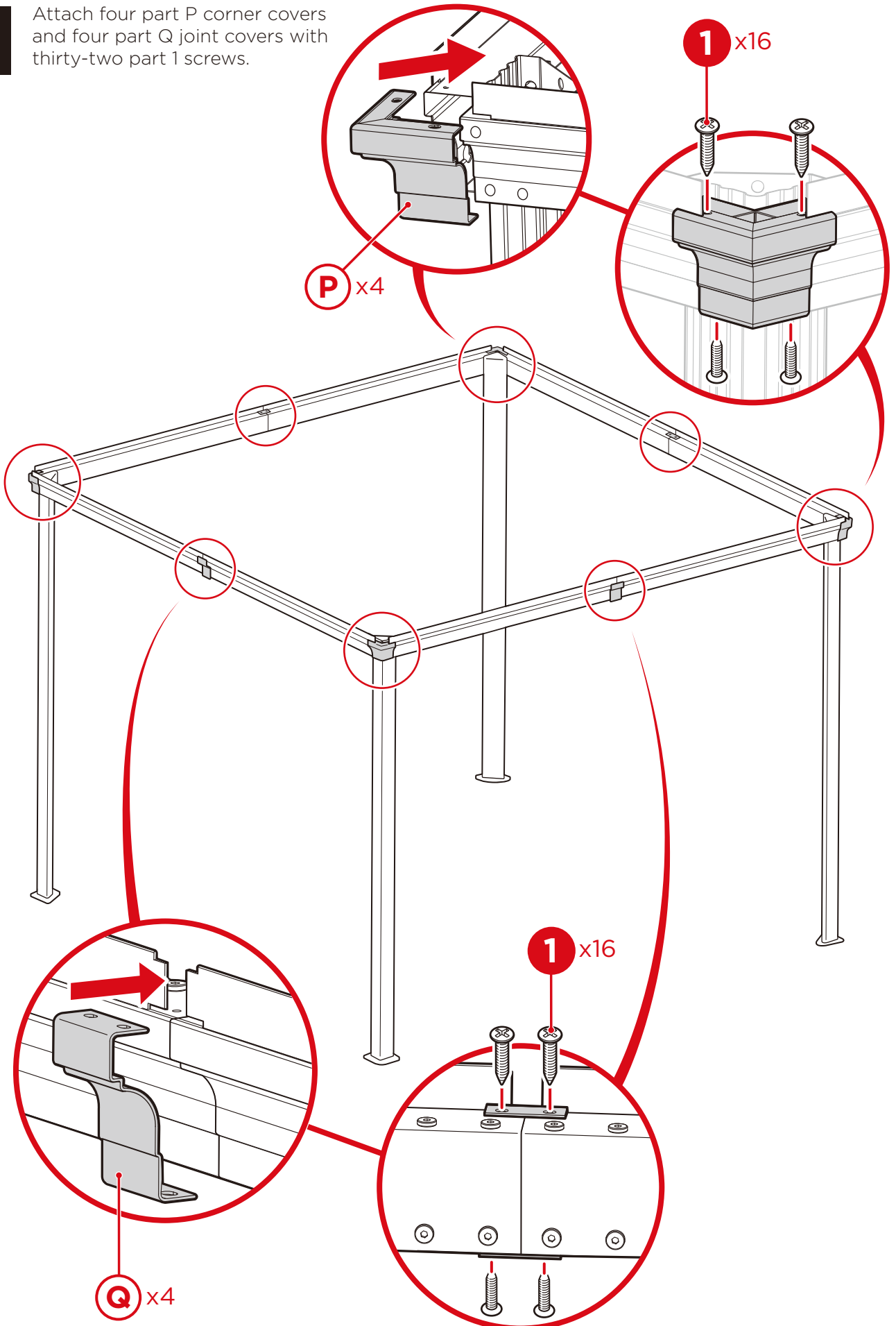
Stand the two sides up. Attach the remaining two frames with twelve part 3 screws.



## PRODUCT ASSEMBLY

5

Attach four part P corner covers and four part Q joint covers with thirty-two part 1 screws.



## PRODUCT ASSEMBLY

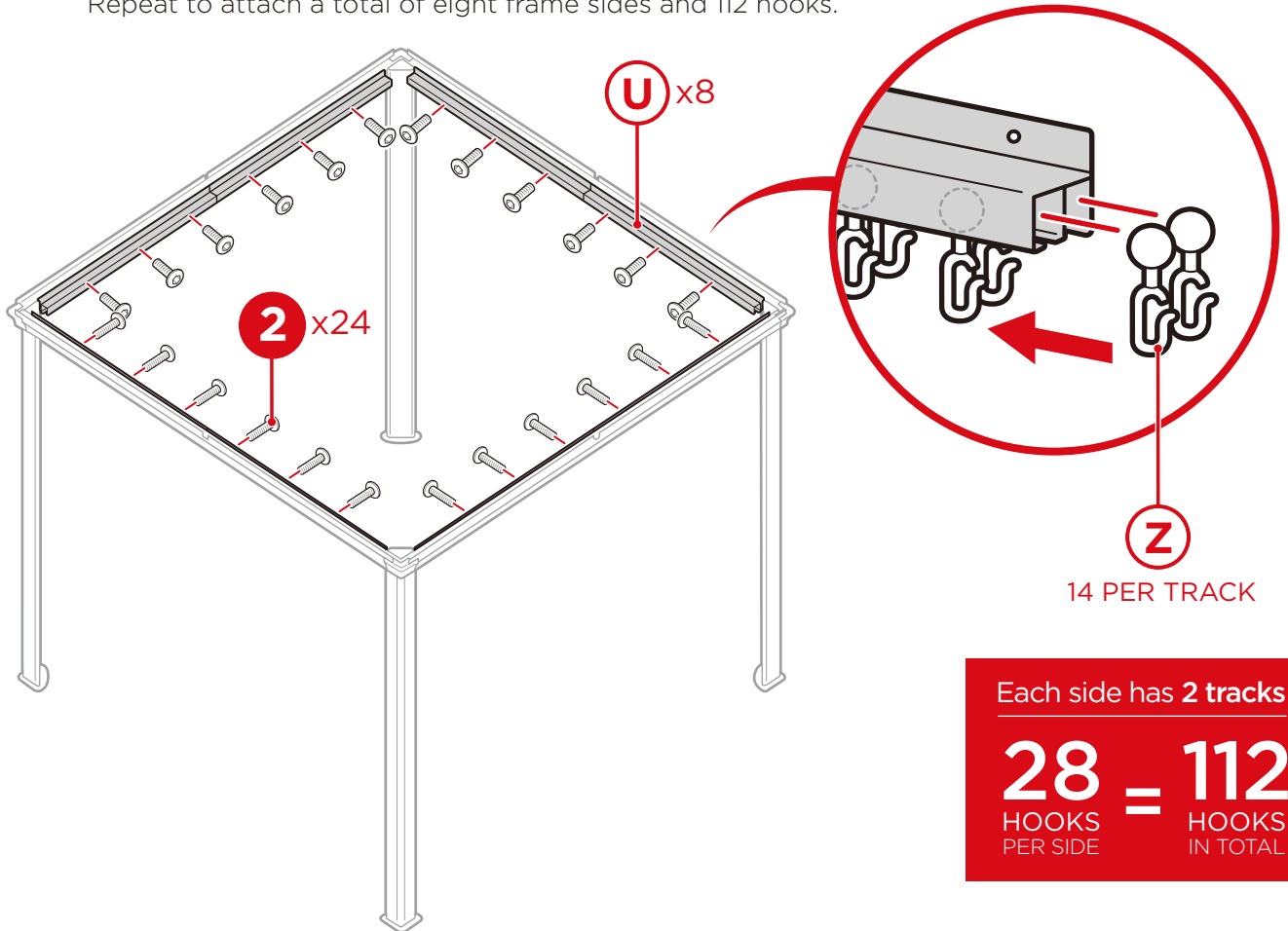
6

Slide fourteen part Z hooks onto a part U track.

**NOTE:** Slide hooks evenly onto the inner/outer railings of the track.

Attach the track to a frame side with three part 2 screws.

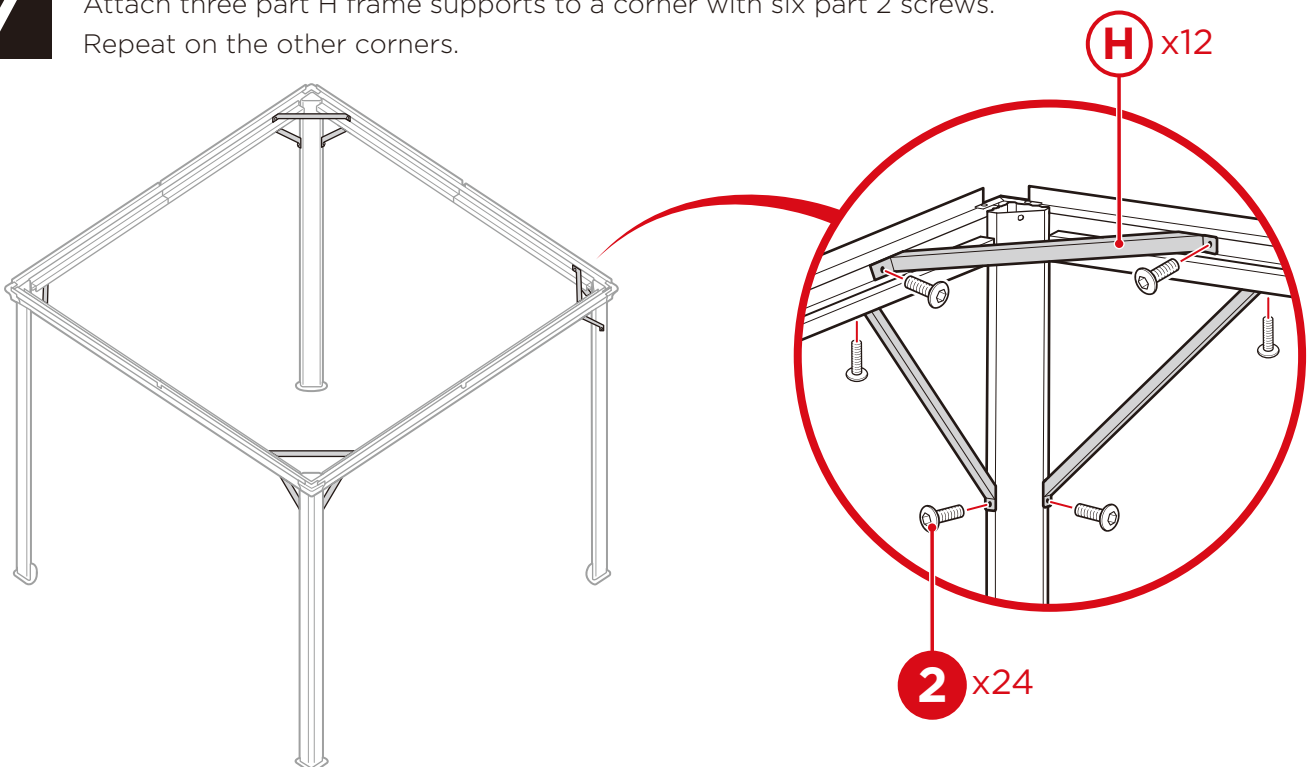
Repeat to attach a total of eight frame sides and 112 hooks.



7

Attach three part H frame supports to a corner with six part 2 screws.

Repeat on the other corners.

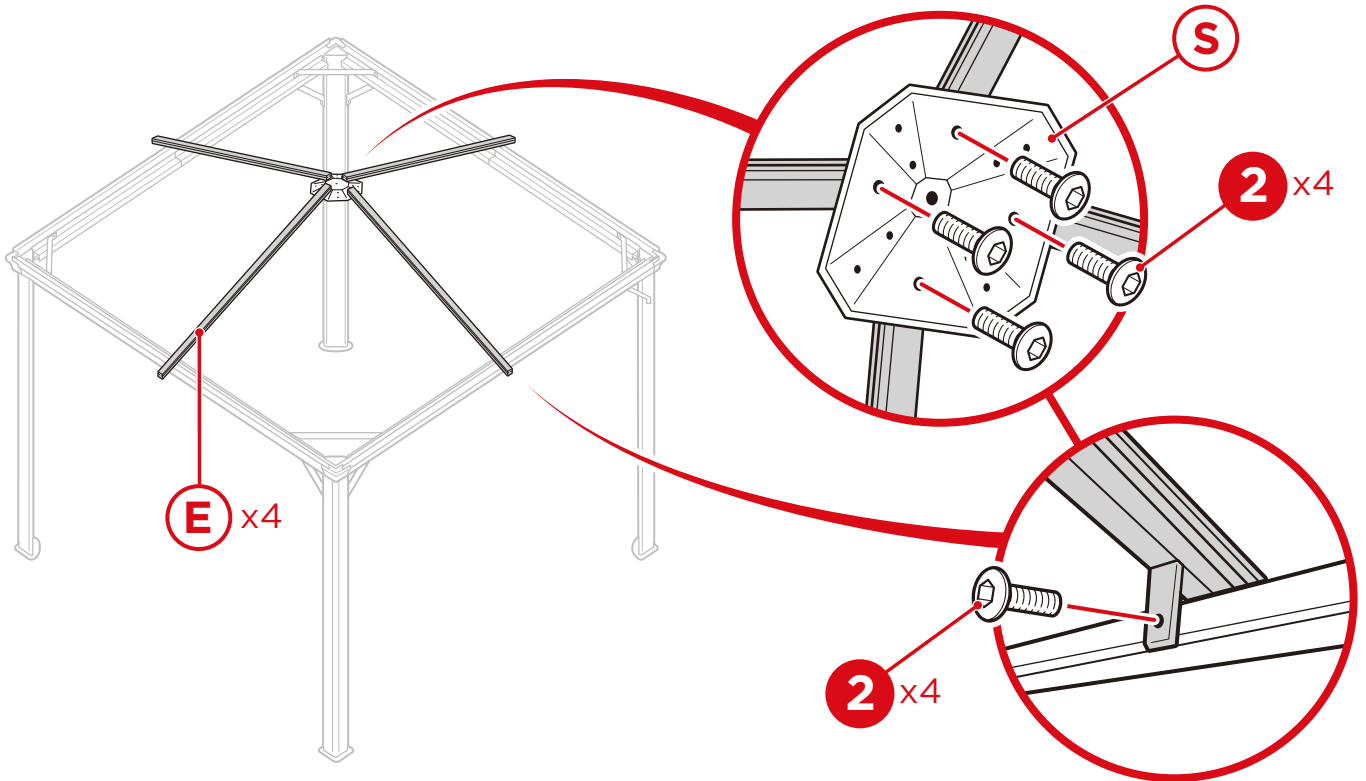




## PRODUCT ASSEMBLY

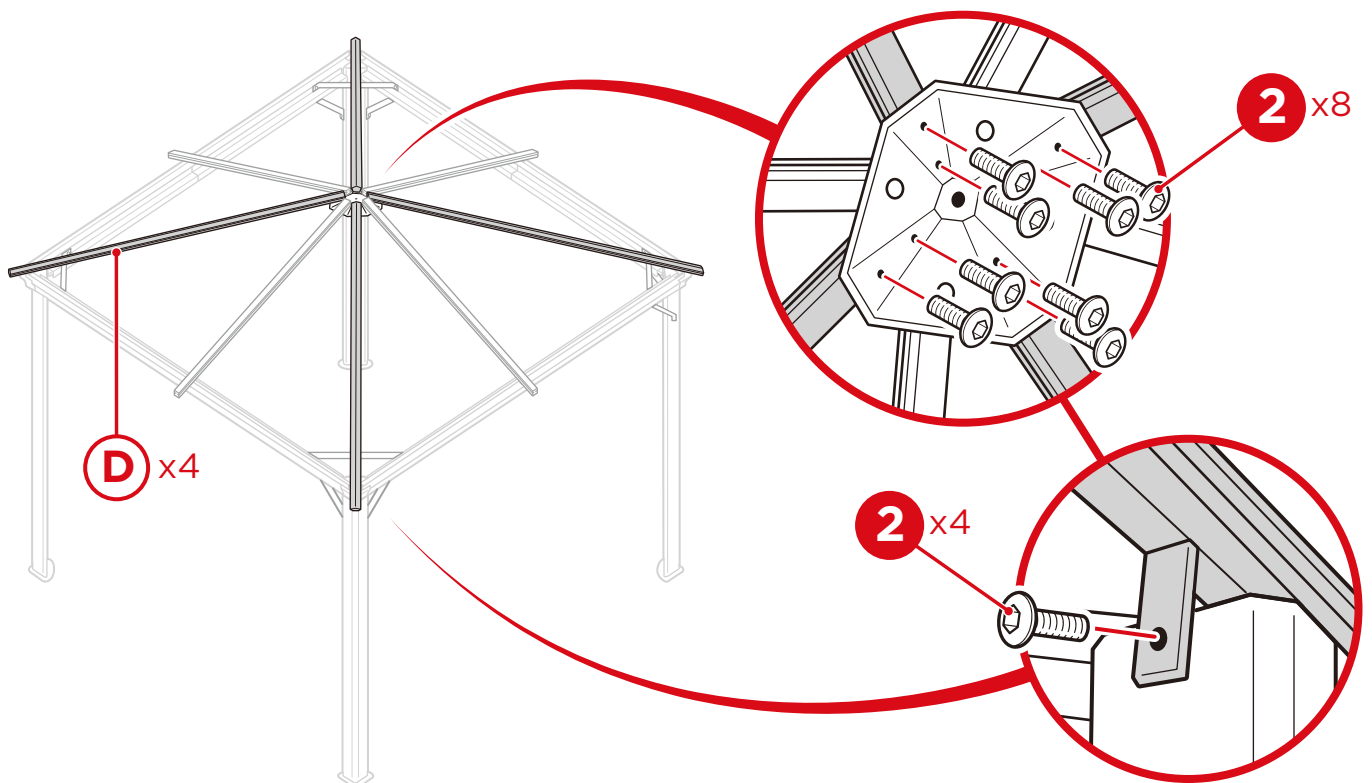
8

Attach four part E short roof frames to the part S inner roof plate with four part 2 screws.  
Attach the short roof frames to the gazebo frame with four part 2 screws.



9

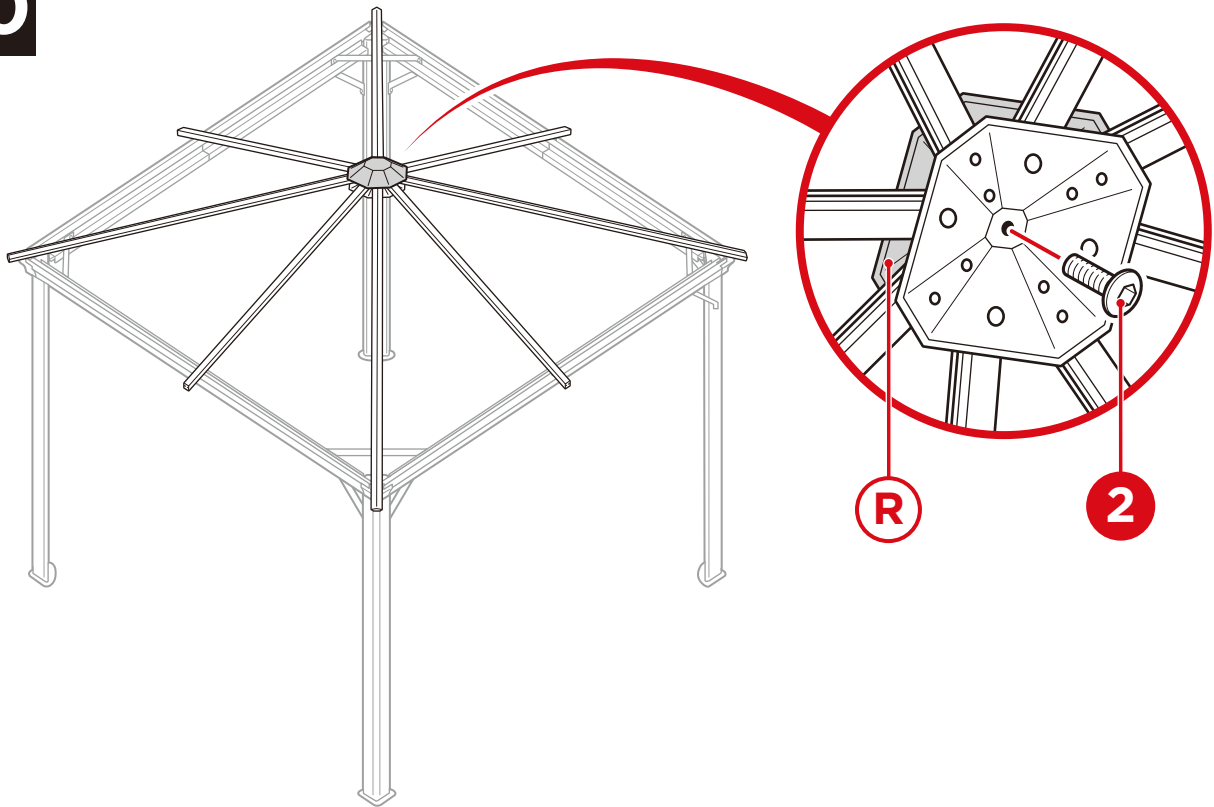
Attach four part D long roof frames to the inner roof plate with eight part 2 screws.  
Attach the long roof frames to the gazebo frame with four part 2 screws.



## PRODUCT ASSEMBLY

10

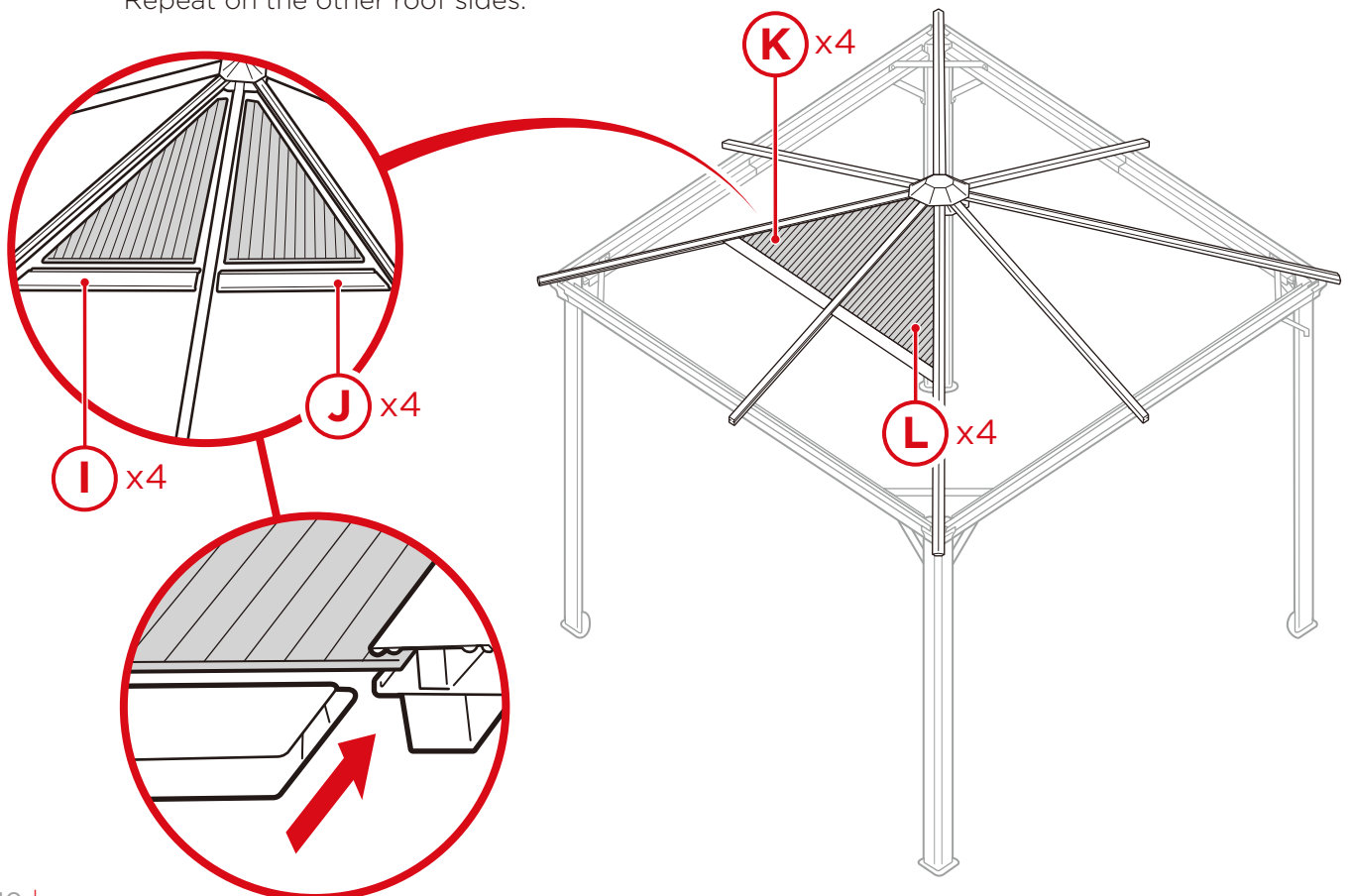
Attach the part R outer roof plate to the inner roof plate with a part 2 screw.



11

Slide a part K left upper roof and part L right upper roof into the roof frames, then secure them with a part I left middle frame and part J right middle frame.

Repeat on the other roof sides.



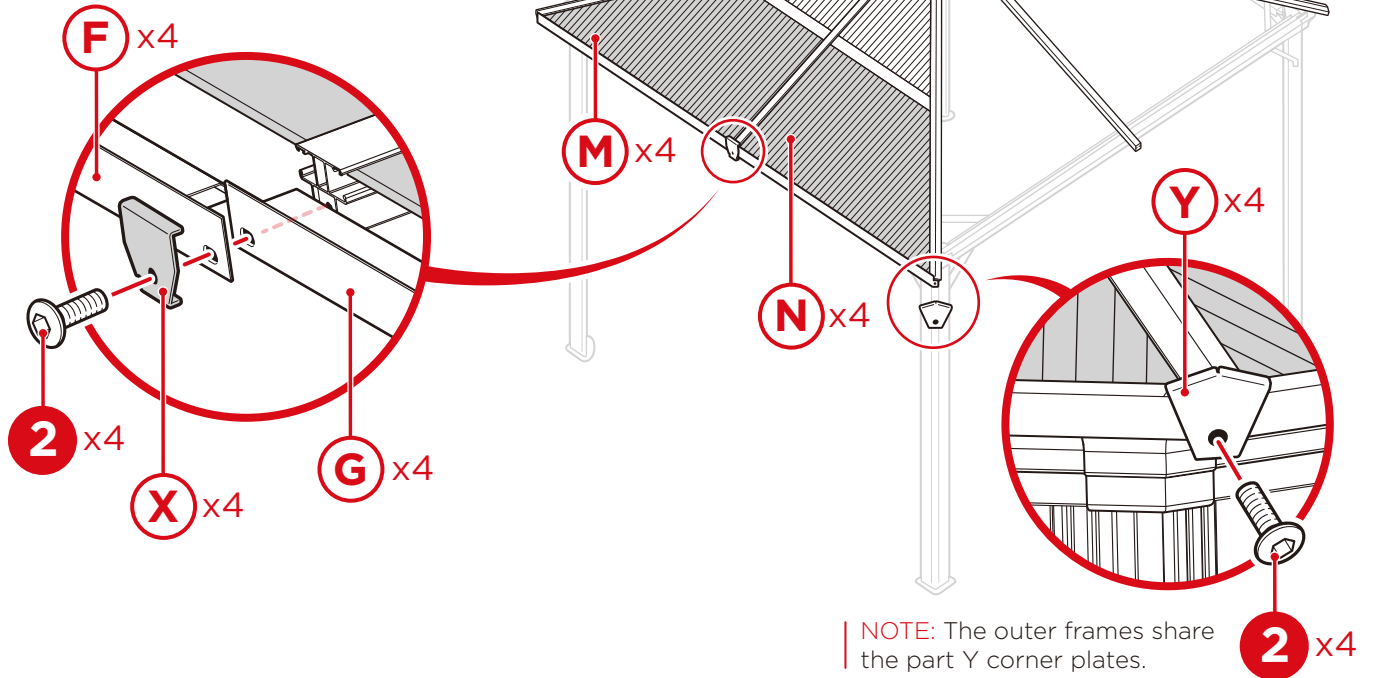
## PRODUCT ASSEMBLY

# 12

Slide on a part M left lower roof and part N right lower roof, then secure them with a part F left outer frame and part G right outer frame.

Attach a part X middle plate with a part 2 screw. Attach two part Y corner plates with two part 2 screws.

Repeat on the other roof sides.

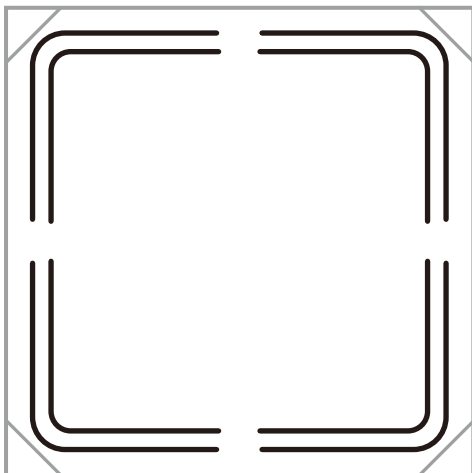


# 13

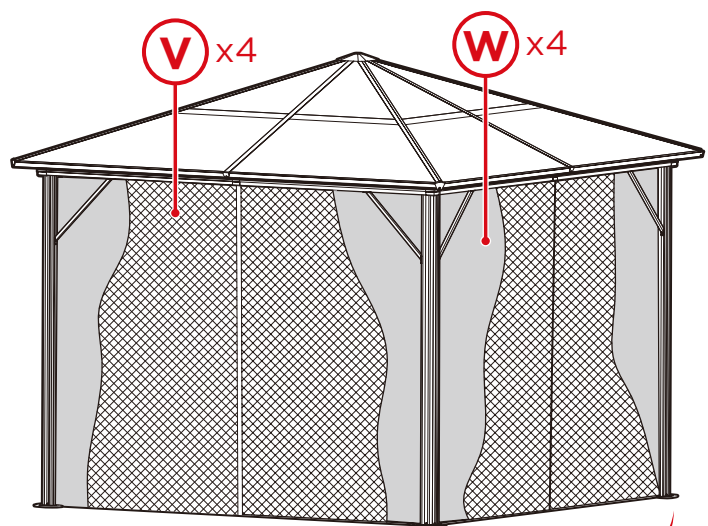
Hang four part V bug nets on the hooks on the inner railing of the part U tracks. Hang four part W curtains on the hooks on the outer railing of the tracks.

**NOTE:** Bug nets and curtains have an inside and outside lining; make sure they are oriented correctly.

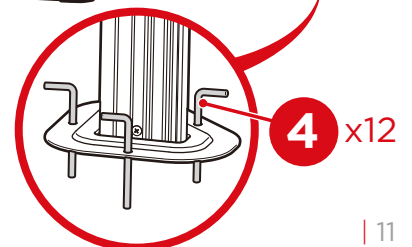
TOP VIEW



Be aware that the bug nets and curtains attach along the corners of the gazebo.



If necessary, secure the gazebo to the ground with twelve part 4 stakes, three stakes per base.





# HELP CENTER



Question about your product? We're here to help. Visit us at:

[help.bestchoiceproducts.com](http://help.bestchoiceproducts.com)



Chat Support



Product Inquiry



Orders FAQ



Product Assembly



Returns & Refunds

## PRODUCT WARRANTY INFORMATION

All items can be returned for any reason within 60 days of the receipt and will receive a full refund as long as the item is returned in its original product packaging and all accessories from its original shipment are included. All returned items will receive a full refund back to the original payment method. All returned items will not be charged a re-stocking fee.

All returned items require an RA (Return Authorization) number, which can only be provided by a Best Choice Products Customer Service Representative when the return request is submitted. Items received without an RA may not be accepted or may increase your return processing time. Once an item has been received by Best Choice Products, refunds or replacements will be processed within 5 business days.

All returns must be shipped back to the Best Choice Products Return Center at the customer's expense. If the reason for return is a result of an error by Best Choice Products then Best Choice Products will provide a pre-paid shipping label via email. Boxes for return shipping will not be provided by Best Choice Products, and is the customer's responsibility to either use the original shipping boxes or purchase new boxes.

Pictures may be required for some returns to ensure an item is not damaged prior to its return. Items returned are not considered undamaged until they are received by Best Choice Products and verified as such. All damages to items are the customer's responsibility until the item has been received by and acknowledge by Best Choice Products as undamaged.

## WARNING

Manufacturer and seller expressly disclaim any and all liability for personal injury, property damage or loss, whether direct, indirect, or incidental, resulting from the incorrect attachment, improper use, inadequate maintenance, or neglect of this product.