

DLQ4

4" LED Downlight Square

Product Description

Everything you love about the DLR4 is now available with the aesthetics of a square trim. Designed to boost energy efficiency, the LED light engine draws only 10.5 watts while achieving a light output to over 690 lumens. The enriched 90+ CRI light output provides superior color quality. Not only is the light quality better, but this design improvement meets new industry standards like Title 24.

Construction

- Die cast aluminum trim routes heat away from electrical components
- Low profile, integrated driver

Optical System

- Polystyrene diffuser and reflector cone create a uniform light distribution that reduces glare without sacrificing lumen output.

Electrical

- Utilizes high performing LEDs with greater than 90 CRI and an R9 greater than 50
- Dimmable to 10% with most standard dimmers
- Thermally protected, high efficiency driver standard
- Operating temperature rating of 0°F to 120°F (-18°C – 49°C)
- Input voltage of 120V
- L70 rated for greater than 36,000 hours
- LM-79, LM-80 testing performed in accordance with IESNA standards.

Finish

- Exterior white, oil-rubbed bronze, black, and nickel powder coat finish, with interior high reflective finish

Installation

- Compatible with most 4" recessed housings
- Quick and easy installation with a screw-in Edison base (GU24 socket string available) and friction clip mounting system

Warranty

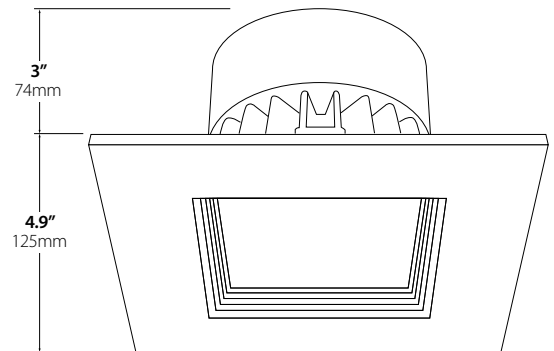
- 5-year limited system warranty standard

Project

Catalog

Type

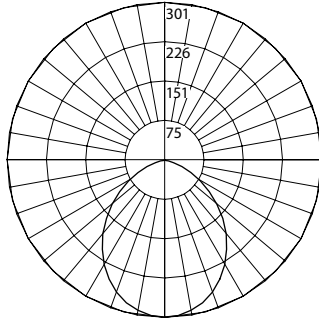
Date



Photometric Data

DLQ4 2700K

Input Voltage (VAC)	120V
System Level Power (W)	11.3
Delivered Lumens (Lm)	664
System Efficacy (Lm/W)	58.7
Correlated Color Temp (K)	2778
Color Rendering Index (CRI)	95
Beam Angle	92°
Spacing Criteria	1.16



Intensity Summary (Candle Power)

Angle	Mean CP
0	301
5	299
15	283
25	253
35	210
45	161
55	108
65	59
75	19
85	2
90	0

CCT Data Multiplier

DLQ4-10-120-3K	1.026
DLQ4-10-120-4K	1.054

Cone of Light Tabulation

Mounted height (Feet)	Footcandles Beam Center	Diameter (Feet)
4	18.8	4.7
6	8.4	7.0
8	4.7	9.3
10	3.0	11.5
12	2.1	13.5
14	1.5	15.0
16	1.2	18.0

Zonal Lumen Summary

Zone	Lumens	% of Luminaire
0-30	224	33.7%
0-40	355	53.5%
0-60	578	87.0%
0-90	664	100.0%
90-180	0	0.0%
0-180	664	100.0%

Fixture tested per LM-79-08. Photometric data is of the performance of a representative fixture. Results may vary in the field.

Performance Data

Model Number	Lumens	Watts	Lumens/Watt
DLQ4-10-120-2K	664	11.3	58.7
DLQ4-10-120-3K	681	11.3	60.2
DLQ4-10-120-4K	700	11.3	61.9

Recommended Dimmers*

Lutron Toggler TGCL-153P
Lutron DIVA DVELV-300P
Lutron DIVA DVELV-303P

Housing Compatibility*

19000A-LED-ID 4" LED IC AIRTIGHT NEW CONSTRUCTION HOUSING
19001AR-LED-ID 4" LED IC AIRTIGHT REMODEL HOUSING
MOST STANDARD 4" RECESSED HOUSINGS

*Not a complete list. Check compatibility before installation.

Ordering Information

Example: DLQ4-10-120-3K-WH

Series	Version	Voltage	CCT's	Trim Color
DLQ4	10 (Version1)	120 (120V)	2K (2700 K)	WH (White)
			3K (3000 K)	BK (Black)*
			4K (4000 K)	NK (Nickel)*
				OB (Oil-Rubbed Bronze)*

*Only available as special order. Contact NICOR for more info.
Specifications and dimensions subject to change without notice.

Accessories

accessories sold separately

GU24 Socket String

GU24-IDEAL-SKT-STR