

# Operating Your Quartz Movement Clock

**Alkaline battery(s) required (not included).**

## **SETTING THE TIME**

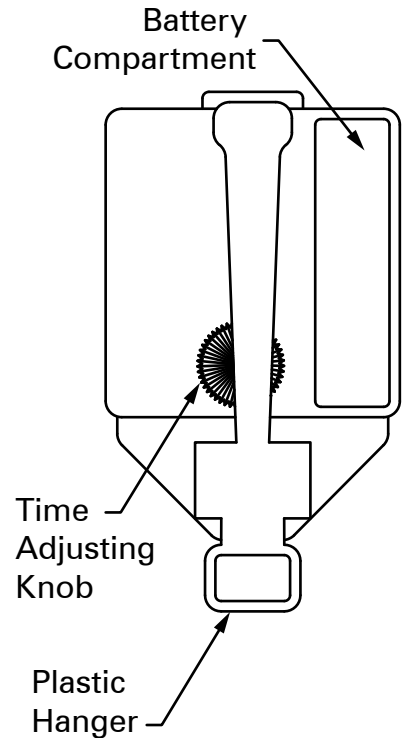
1. Install the battery(s) with the positive (+) end located as indicated by the diagram inside the Battery Compartment.
2. Turn the Time Adjusting Knob to adjust the hour and minute hand.

## **BATTERY REPLACEMENT**

If the clock begins to lose time, stops, or the pendulum stops swinging, this is the sign of weak or exhausted batteries. Replace with new alkaline batteries.

## **PENDULUM SET-UP (for pendulum movements only)**

1. Hook the pendulum into the Plastic Hanger located below the clock movement.
2. Gently push pendulum to either side to set in motion -- the pendulum should swing freely.



495811

# Operating Your Quartz Movement Clock

**Alkaline battery(s) required (not included).**

## **SETTING THE TIME**

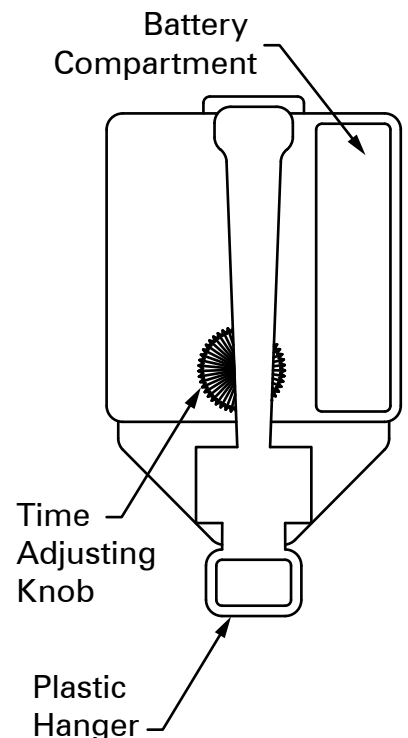
1. Install the battery(s) with the positive (+) end located as indicated by the diagram inside the Battery Compartment.
2. Turn the Time Adjusting Knob to adjust the hour and minute hand.

## **BATTERY REPLACEMENT**

If the clock begins to lose time, stops, or the pendulum stops swinging, this is the sign of weak or exhausted batteries. Replace with new alkaline batteries.

## **PENDULUM SET-UP (for pendulum movements only)**

1. Hook the pendulum into the Plastic Hanger located below the clock movement.
2. Gently push pendulum to either side to set in motion -- the pendulum should swing freely.



495811