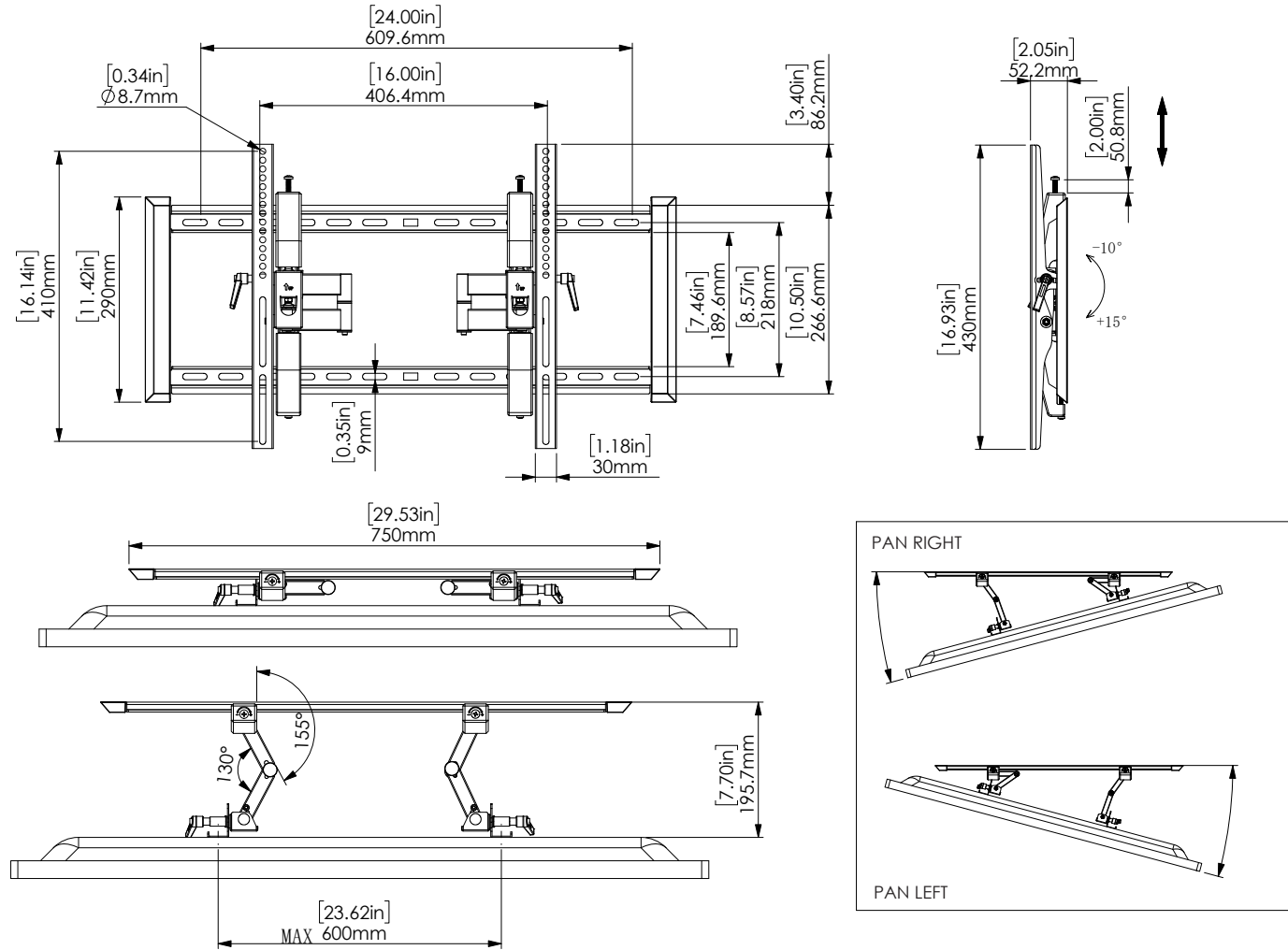


# TLT4390EXT-LVL



WWW.MSTRBRAND.COM

## NOTES: UNLESS OTHERWISE SPECIFIED

1. VESA STANDARD COMPATABILITY (WIDTH X HEIGHT): 200X100 TO 600X400
2. MAXIMUM VESA MOUNTING CONFIGURATION: 600X400 MM
3. SCREEN SIZE COMPATABILITY: 43 - 90" SCREENS
4. MAXIMUM WEIGHT CAPACITY: 120 LBS (54.4 KG)
5. PRODUCT COLOR: BLACK
6. VIEWING ANGLE INCREMENTS:  $-10^{\circ} \sim +15^{\circ}$  .