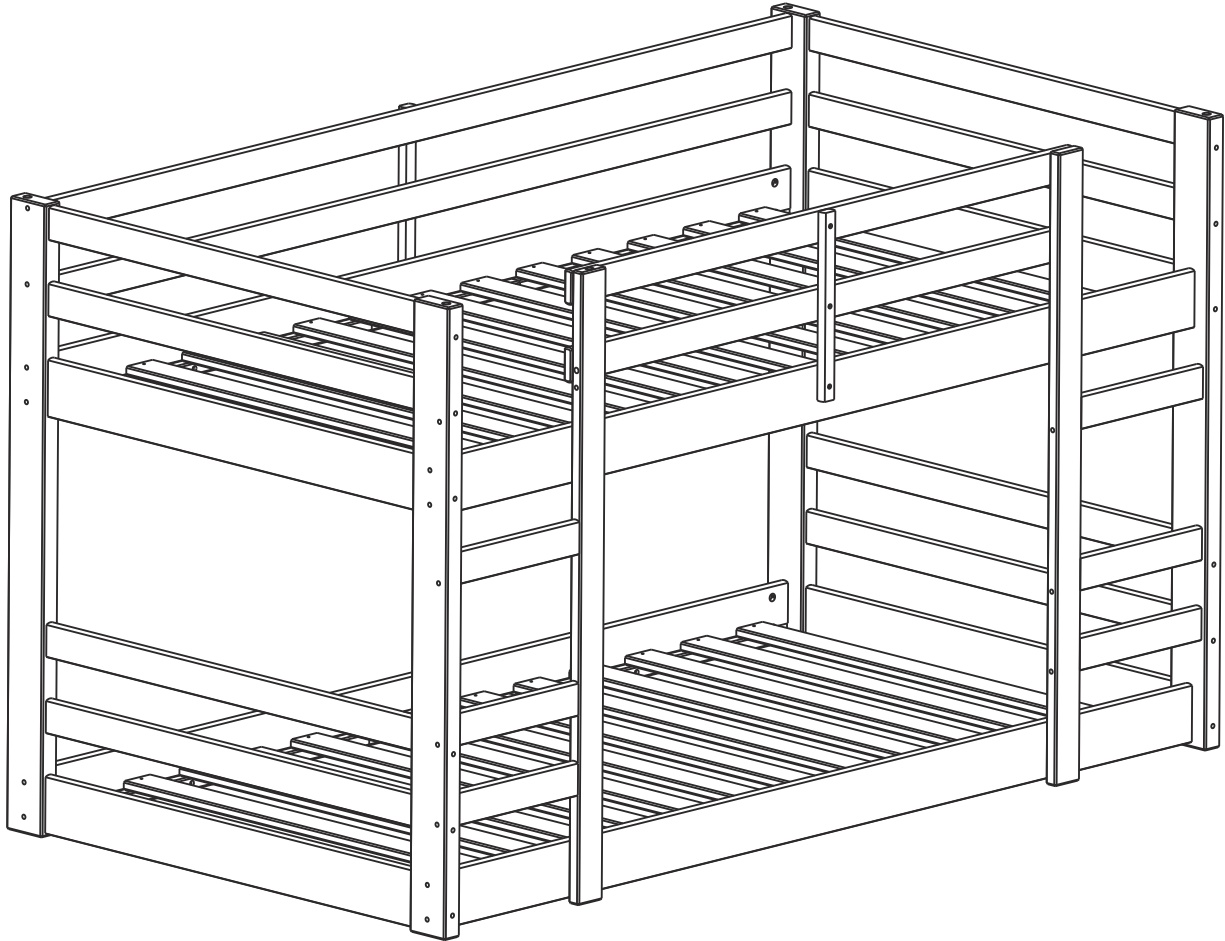
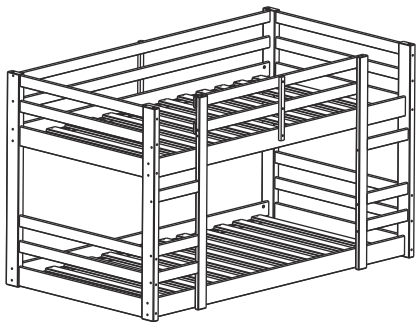


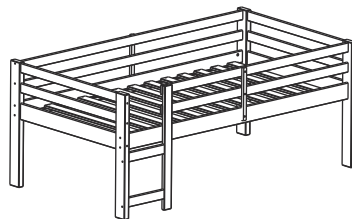
Item #: BWJRTOT Assembly Instructions



Item #: BWJRTOT

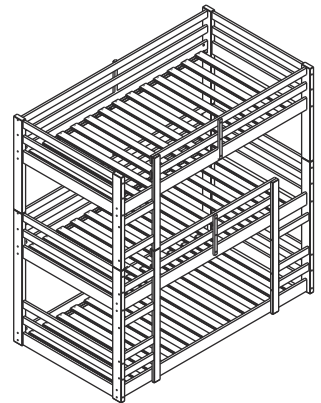


Item #: BWJRTOL



+

=



Please visit our website for the most current instructions, assembly tips, report damage, or request parts. www.walkeredison.com

Revised 09/2023 V5

WALKER EDISON

Instruction Manual

IMPORTANT INFORMATION READ BEFORE ASSEMBLING THIS PRODUCT

Follow the information on the warning labels found on the bunk bed and on the packaging. Do not remove the warning label from the bed.

Use only a mattress with the dimensions 74-75 in. L x 37 1/2 - 38 1/2 in. W x 7 in. H on the upper bunk. A mattress with the same dimensions is also recommended for the lower bunk.

The surface of the mattress must be at least 5 in. (127mm) below the upper edge of the guardrails. Mattress must not exceed the maximum thickness of 7 in.

Always use the recommended size of mattress or mattress support, or both, to help prevent the likelihood of entrapment or falls.

The use of a water or sleep flotation mattress is prohibited.

Replacement parts, including additional guardrails, may be obtained from any of Walker Edison Furniture Company's dealers or by contacting us online at www.walkerredison.com.

DO NOT use substitute parts. Contact the manufacturer or dealer for replacement parts.

Always use guardrails on the upper bunk. If the bunk bed will be placed next to a wall, the guardrail running the full length of the bed should be placed against the wall to prevent entrapment between the bed and the wall.

Periodically check that the guardrails, ladders and other components of the bed are in their proper position, free from damage, and that all connectors are tight.

Always use the ladder to access the upper bunk.

DO NOT allow children under 6 years of age to use the upper bunk.

DO NOT allow horseplay on or under the bed. Prohibit jumping on the bed.

Prohibit more than one person on the upper bunk.

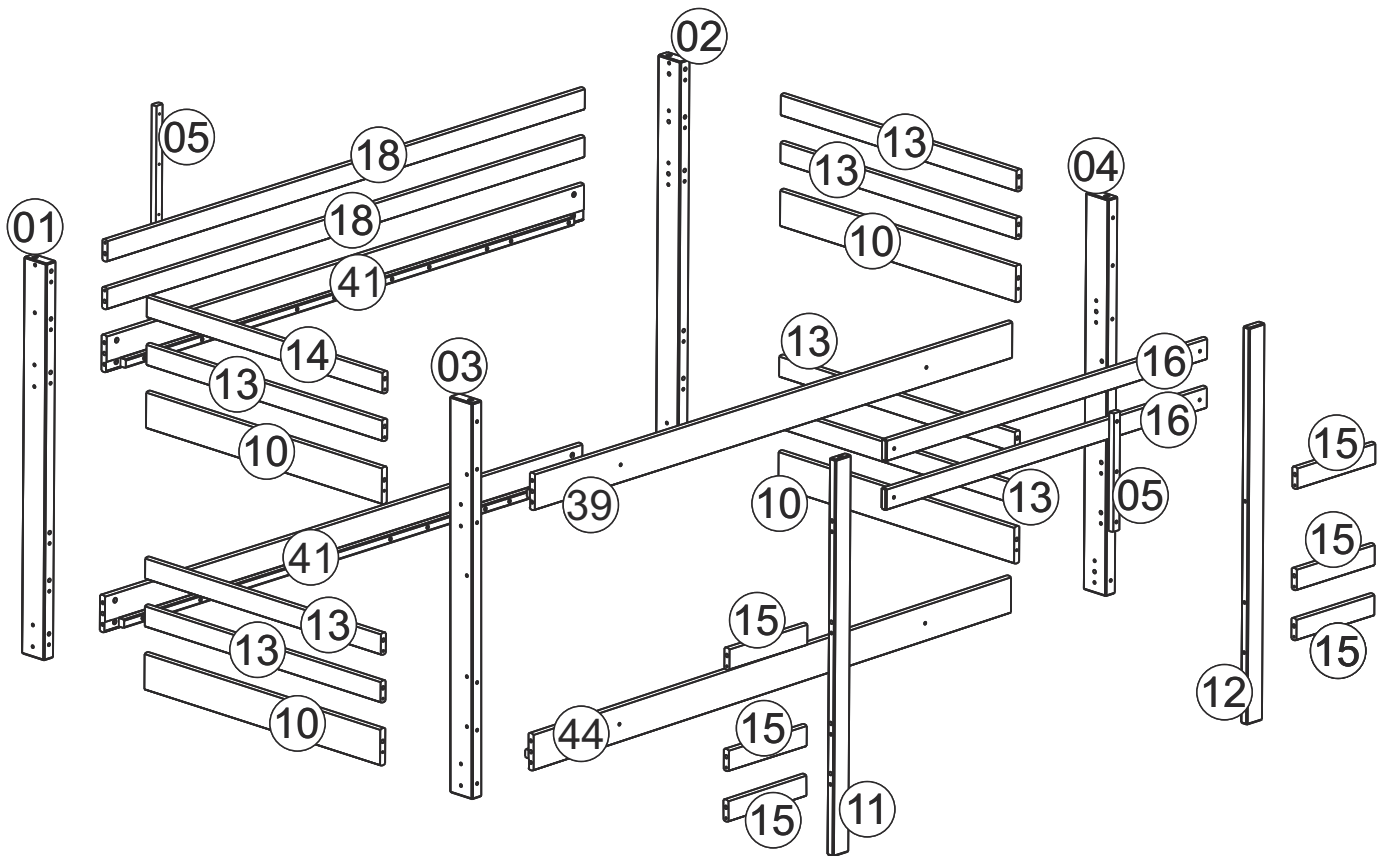
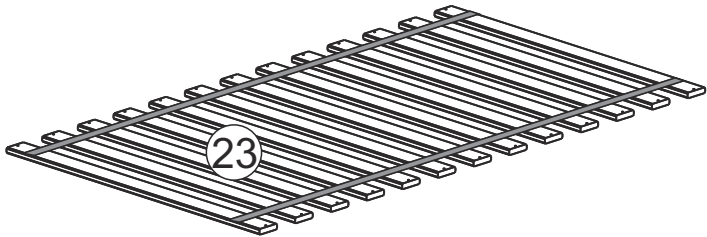
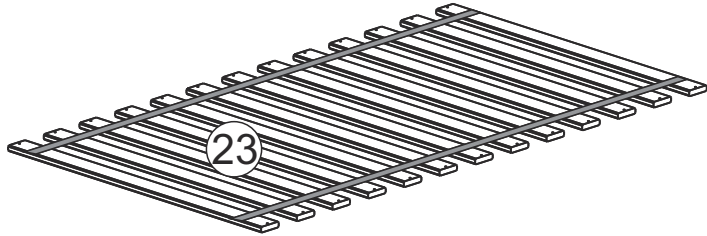
The use of a night light may provide an added safety precaution for a child using the upper bunk.


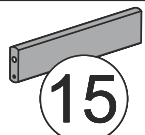
STRANGULATION HAZARD – Never attach or hang items to any part of the bunk bed that are not designed for use with the bed; including but not limited to hooks, belts and jump ropes.

DANGER D'ÉTRANGLEMENT- Ne jamais attacher ni suspendre quelque chose au lit, qui ne fait pas partie du lit superposé. Ceci inclut, sans s'y limiter : crochets, ceintures ou cordes à sauter.

Keep these instructions for future reference.


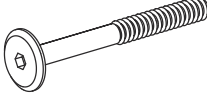
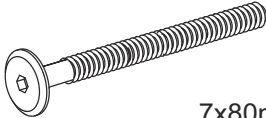
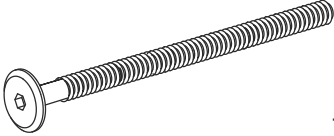
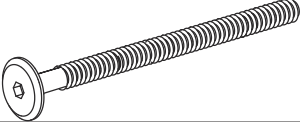
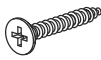

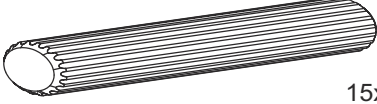

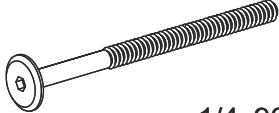


Parts List

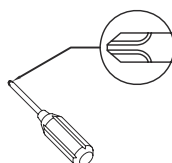
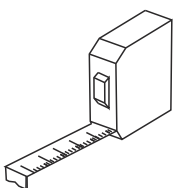


Additional part 15 is included for assembling the triple bunk bed option

Hardware List

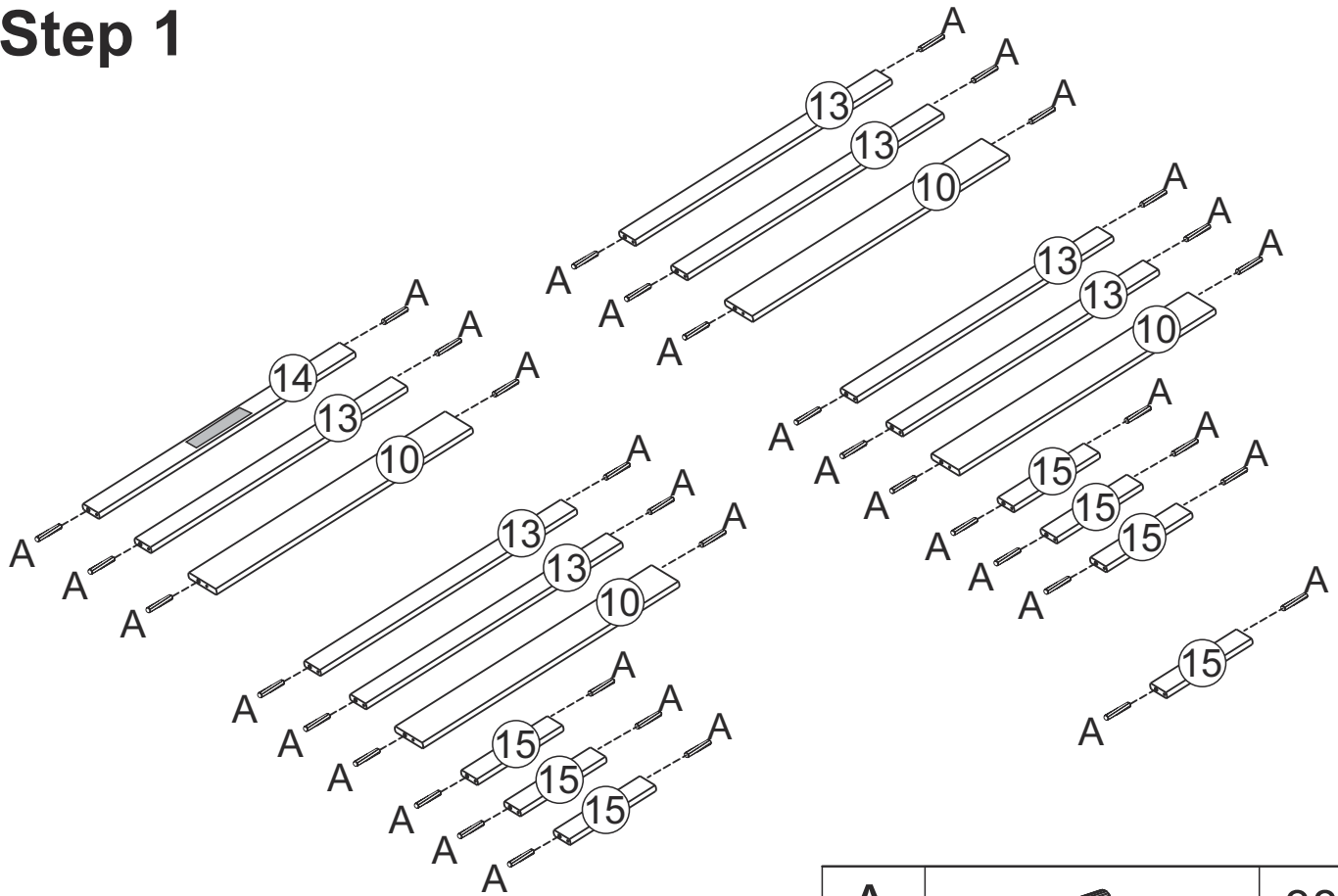
Ref.		Qty.
A	 10x40mm	50
F	 7x40mm	08
G	 7x80mm	11
H	 7x120mm	24
I	 7x100mm	07
J	 4,0x30mm	58
L	 Hex Key	02
M	 15x100mm	04
N	 15x50mm	01
O	 1/4x90mm	16
P	 1/4	16
Q	 8x35mm	08




Phillips head screwdriver required for assembly
(not included)

*The hardware quantities listed above are required for proper assembly.
Some extra hardware may also have been included.*

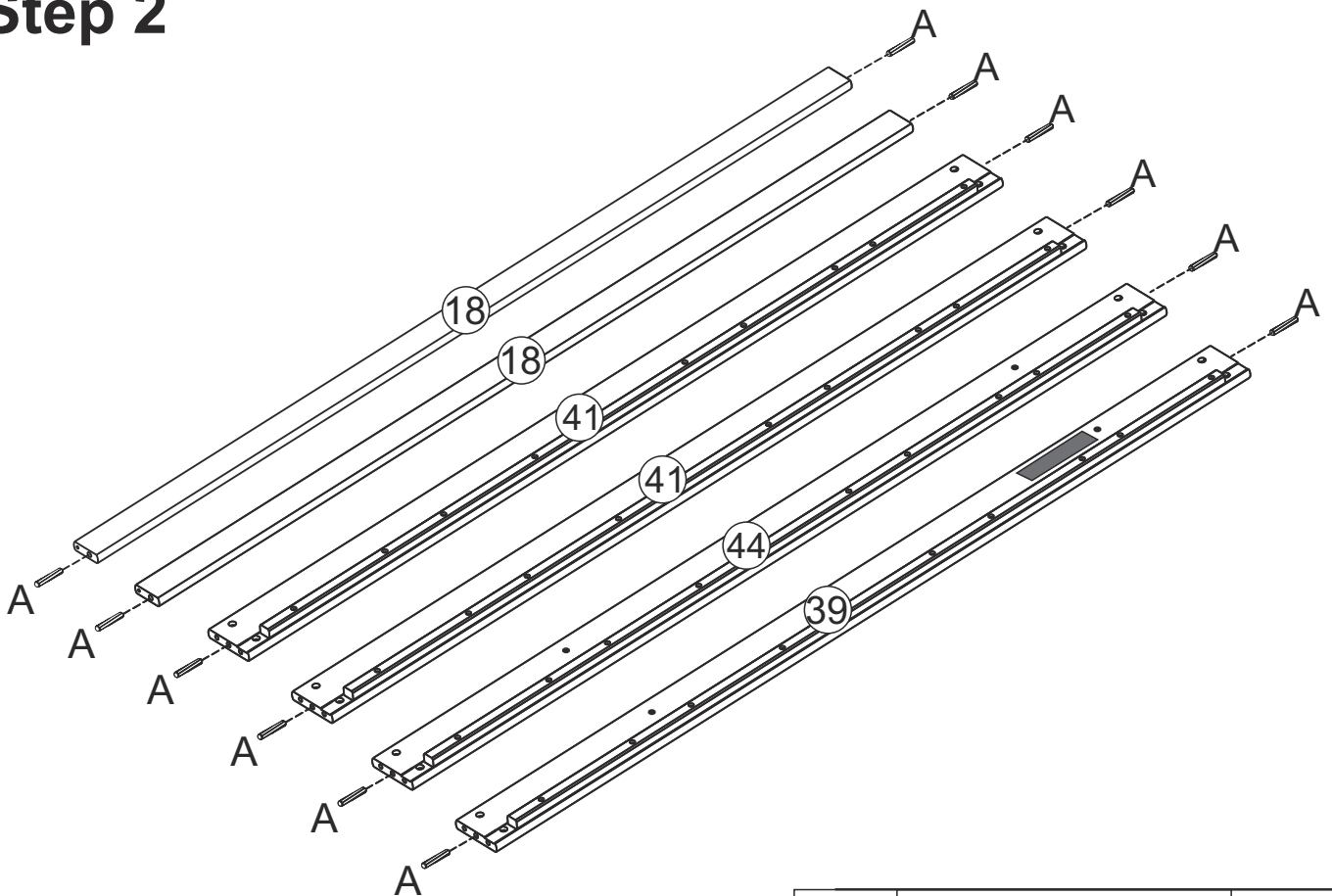
Step 1




Insert wood dowels (A) into slats (10,13,14 and 15).

A	 10x40mm	38
---	--	----

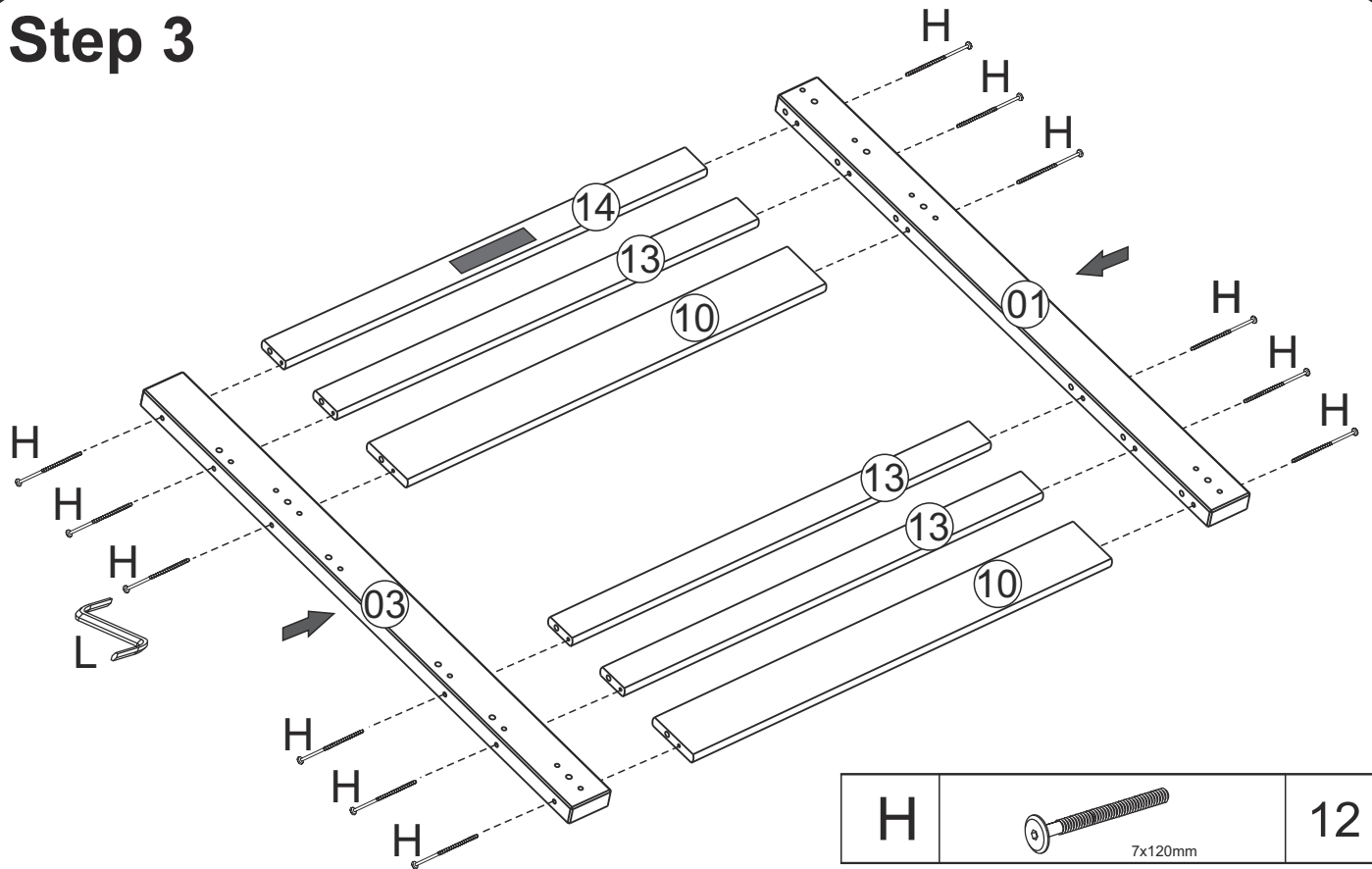
Step 2


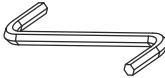


Insert wood dowels (A) into guard rails (18) and Sider rails (39,41 and 44).

A	 10x40mm	12
---	--	----

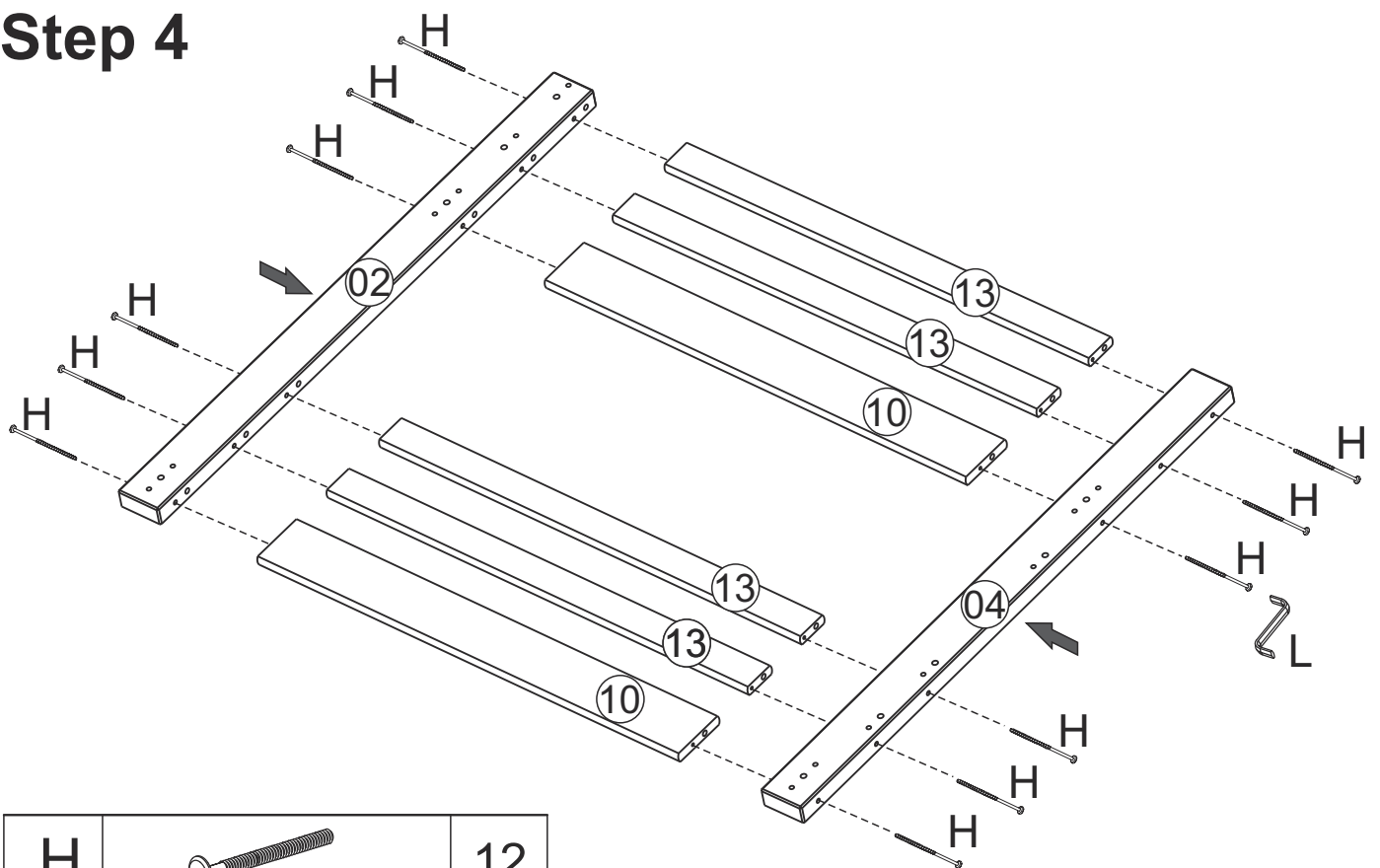
Step 3

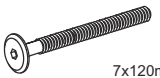
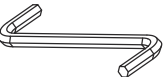


H	 7x120mm	12
L	 Hex Key	01

Attach legs (1,3) to slats (10,13,14) using screws (H) and Hex Key (L).

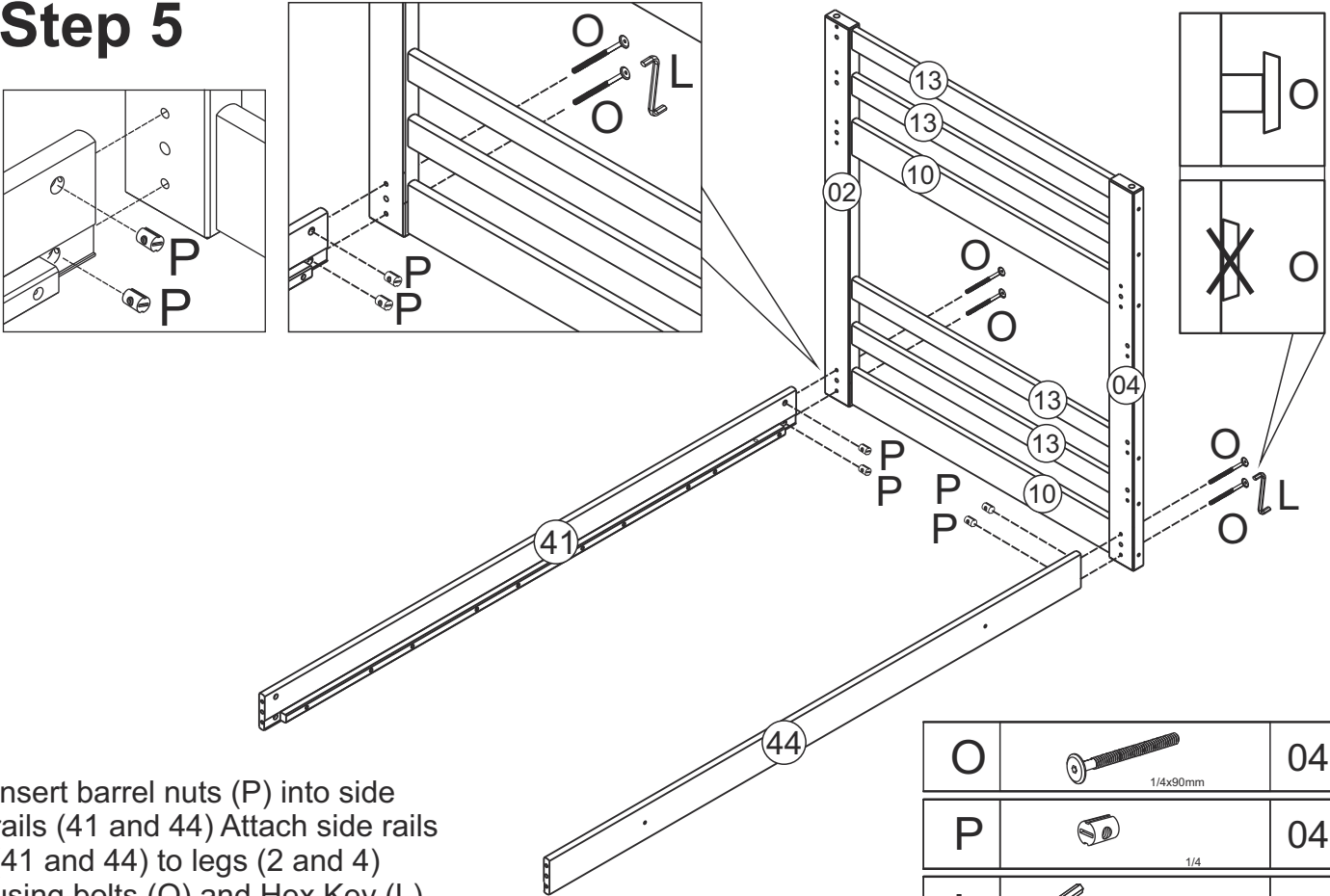
Step 4



H	 7x120mm	12
L	 Hex Key	01

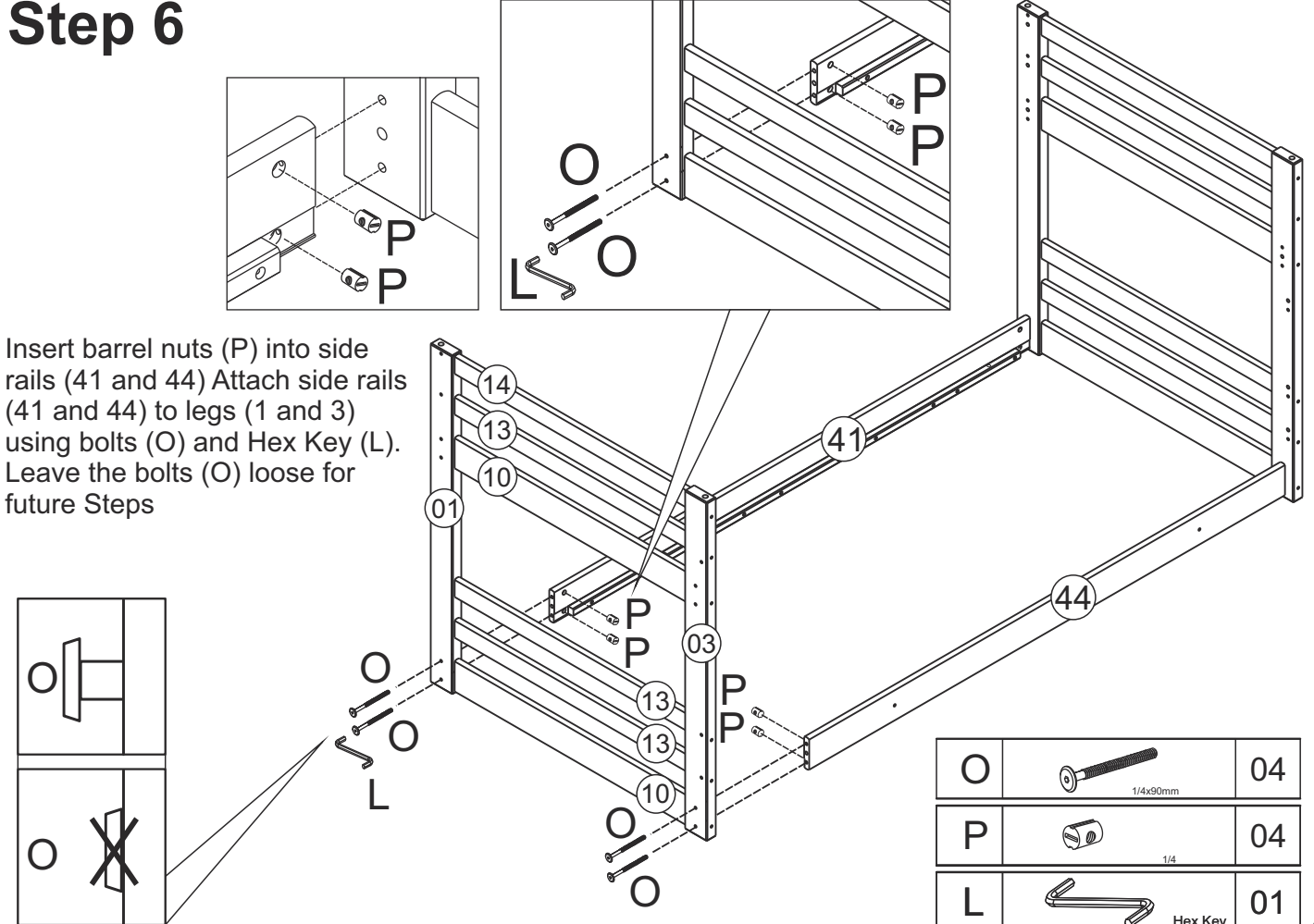
Attach legs (2,4) to slats (10 and 13) using screws (H) and Hex Key (L).

Step 5



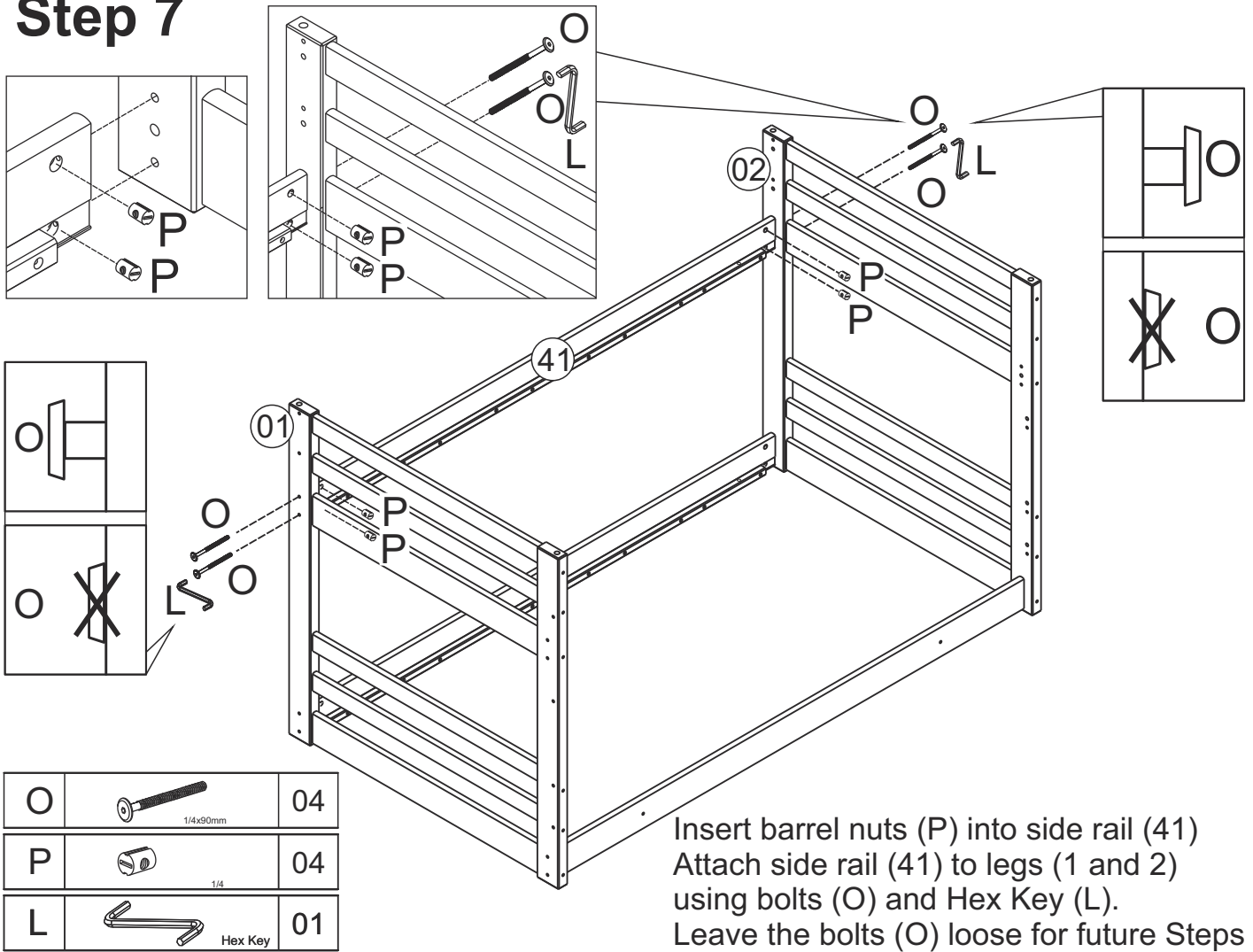
Insert barrel nuts (P) into side rails (41 and 44). Attach side rails (41 and 44) to legs (2 and 4) using bolts (O) and Hex Key (L). Leave the bolts (O) loose for future Steps.

Step 6



Insert barrel nuts (P) into side rails (41 and 44). Attach side rails (41 and 44) to legs (1 and 3) using bolts (O) and Hex Key (L). Leave the bolts (O) loose for future Steps.

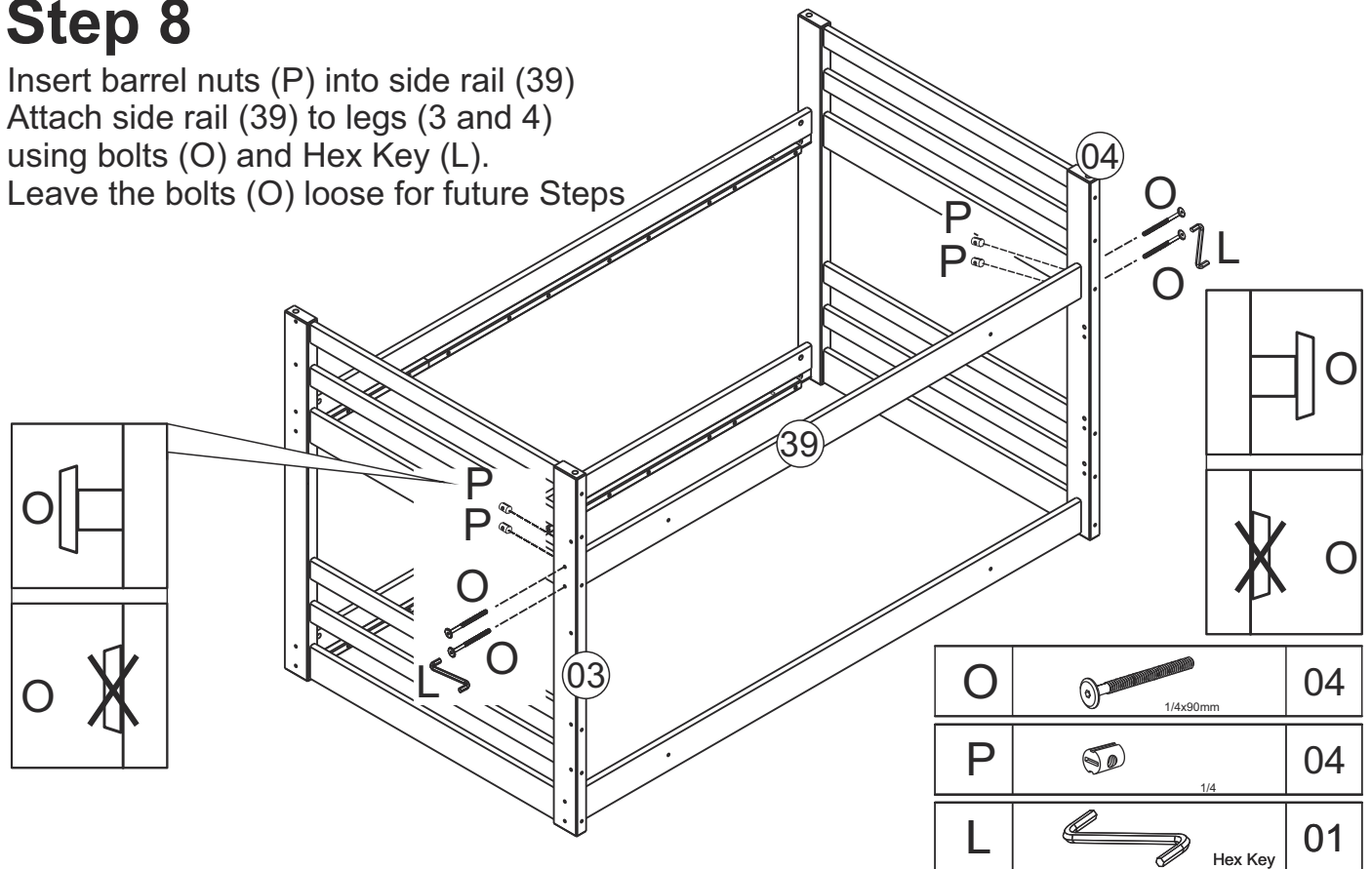
Step 7



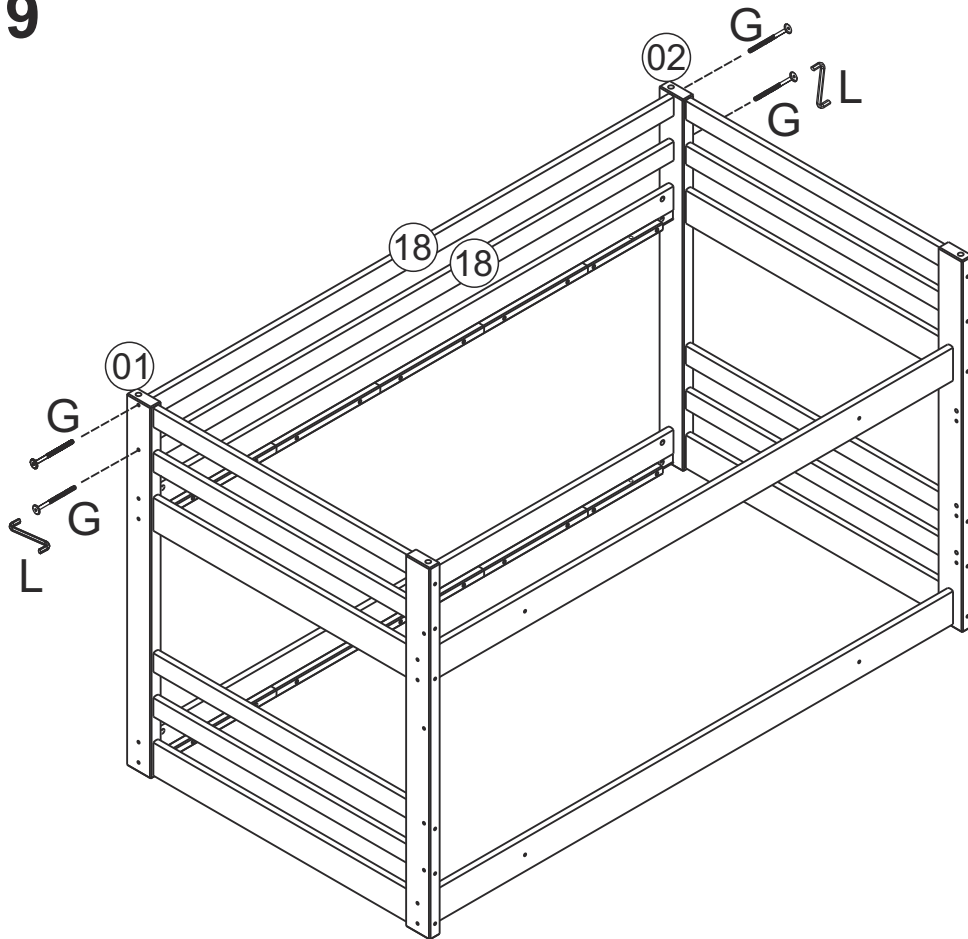
Insert barrel nuts (P) into side rail (41)
 Attach side rail (41) to legs (1 and 2)
 using bolts (O) and Hex Key (L).
 Leave the bolts (O) loose for future Steps

Step 8



Insert barrel nuts (P) into side rail (39)
 Attach side rail (39) to legs (3 and 4)
 using bolts (O) and Hex Key (L).
 Leave the bolts (O) loose for future Steps



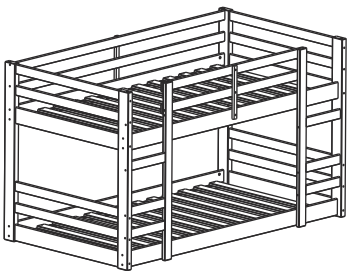
Step 9



Attach guard rails (18) to legs (1 and 2) using bolts (G) and Hex Key (L). Then tighten all bolts (D) on all Side Rails (39, 41, 44)

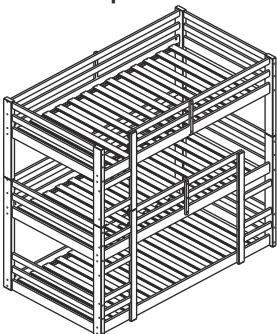
G	 7x80mm	04
L	 Hex Key	01

Item #: BWJRTOT



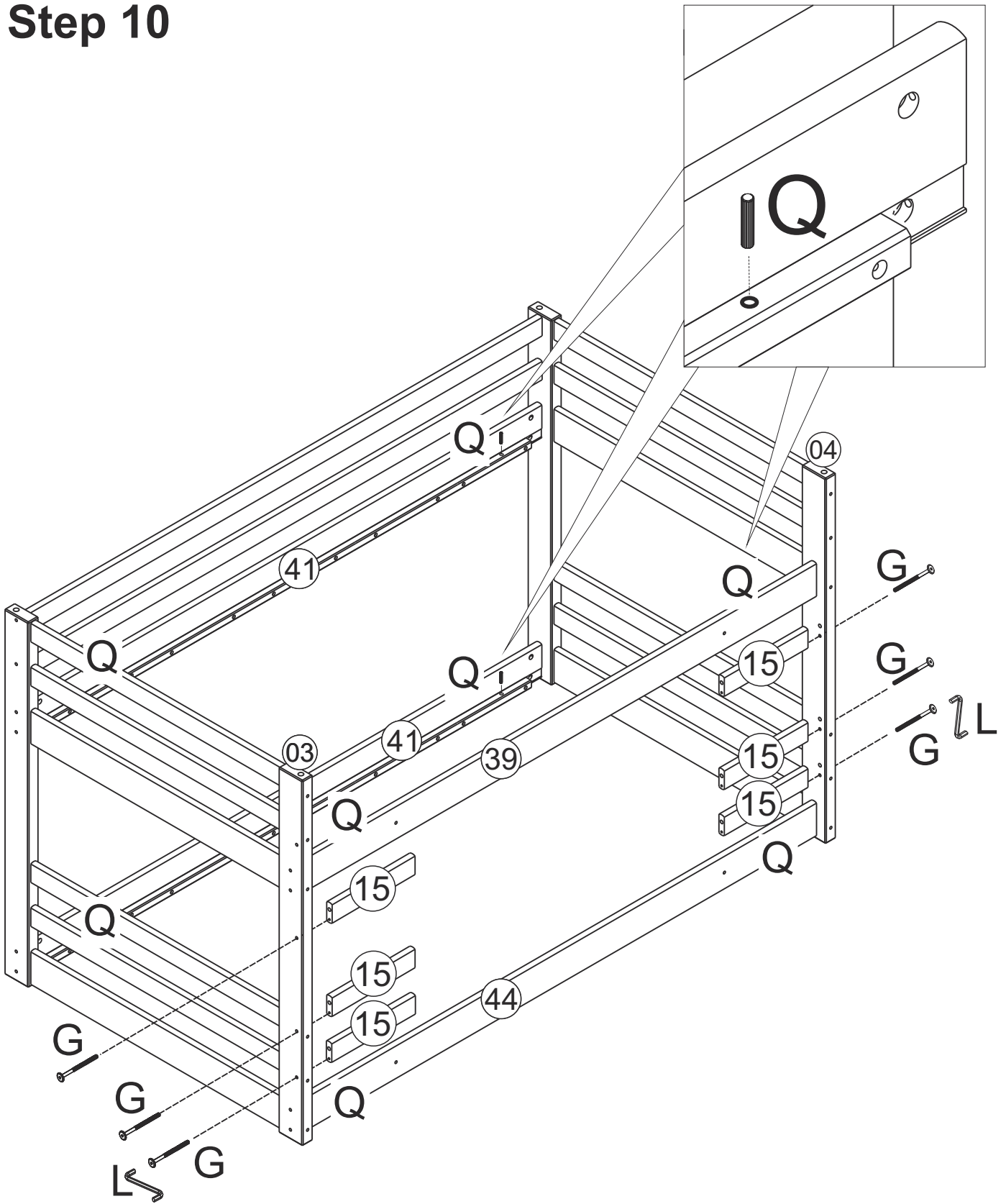
To assemble Bunk Bed please continue onto step 10.


Item #: Triple Bunk Bed




To assemble the Triple Bunk Bed please skip to step 17.

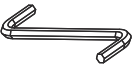
Step 10



Q	 8x35mm	08
---	---	----

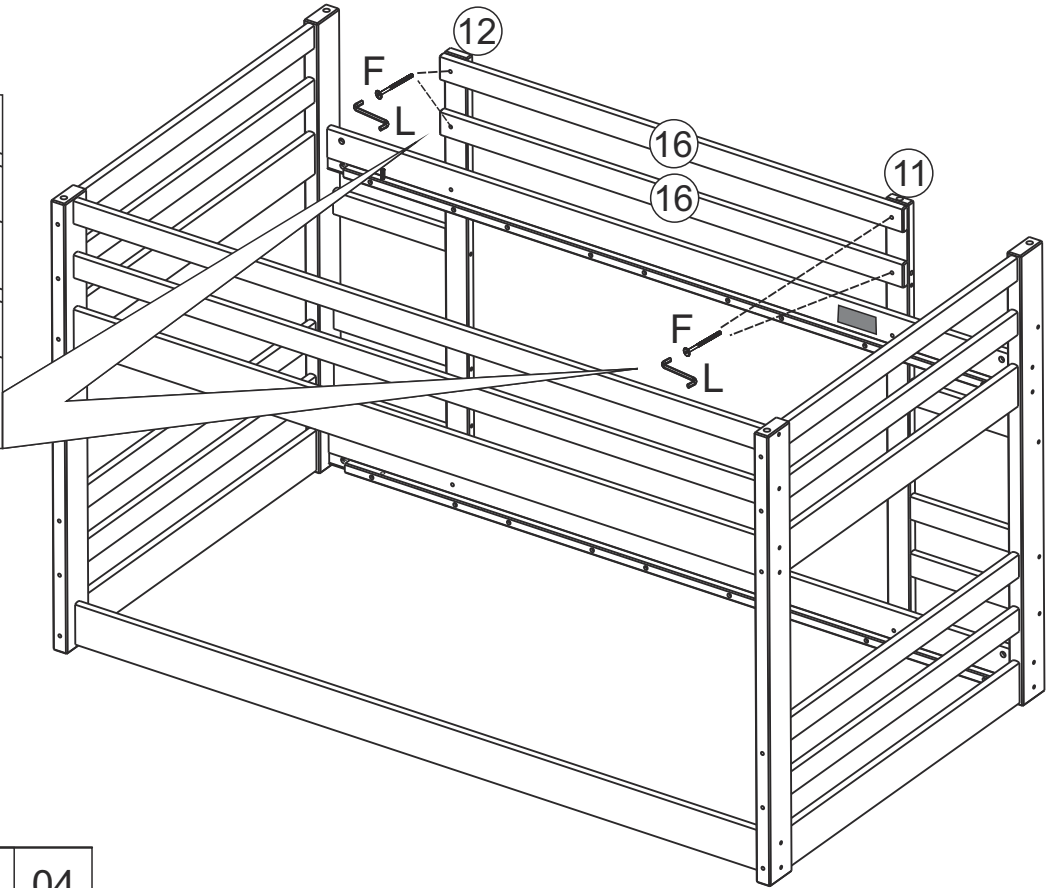
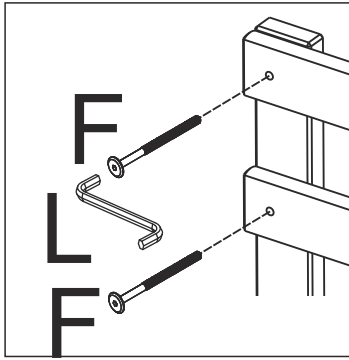
Insert wood dowels (Q) into side rails (39,41 and 44).



G	 7x80mm	06
---	---	----

L	 Hex Key	01
---	--	----

Attach parts (15) to legs (3 and 4) using bolts (G) and Hex Key (L).

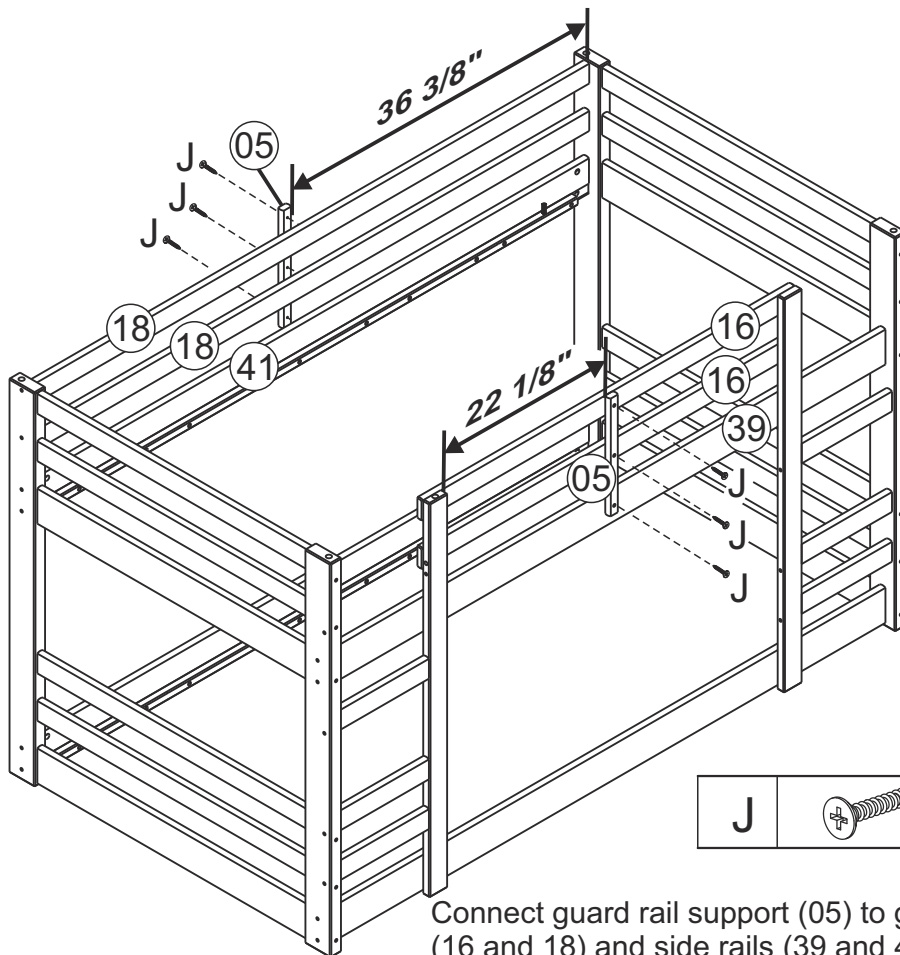
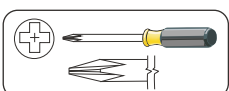
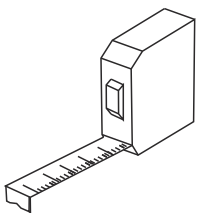
Step 13




F	 7x40mm	04
L	 Hex Key	01

Attach guard rail (16) to ladder side rails (11 and 12) using bolts (F) and Hex Key (L).

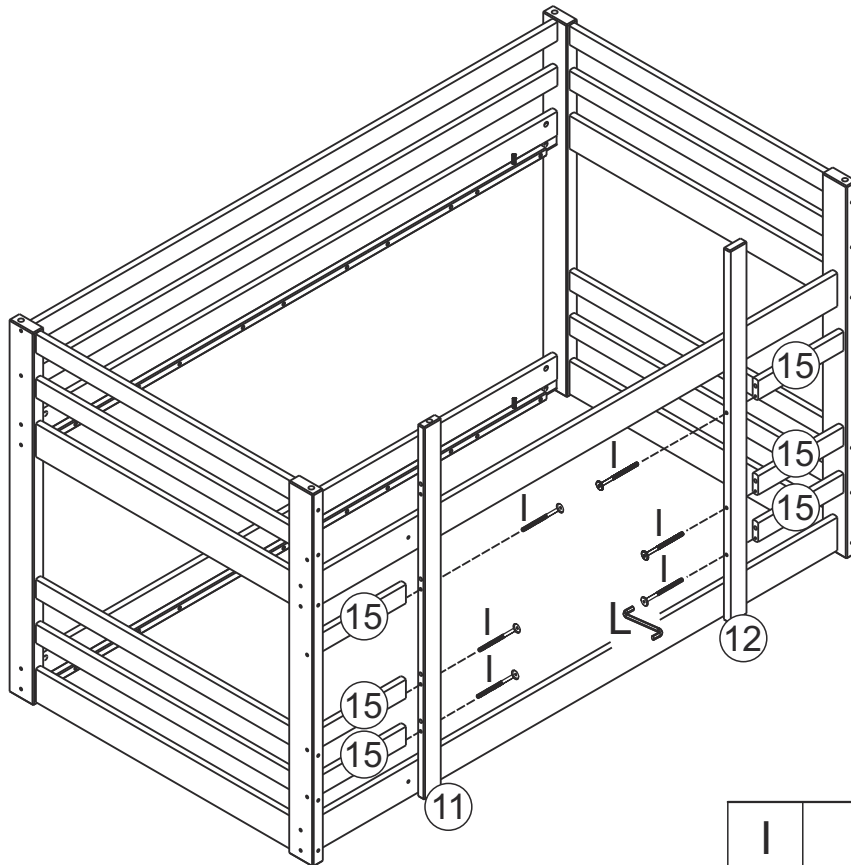
Step 14





J	 4,0x30	06
---	--	----

Connect guard rail support (05) to guard rails (16 and 18) and side rails (39 and 41) using screw (J). Follow measurements shown in diagram.

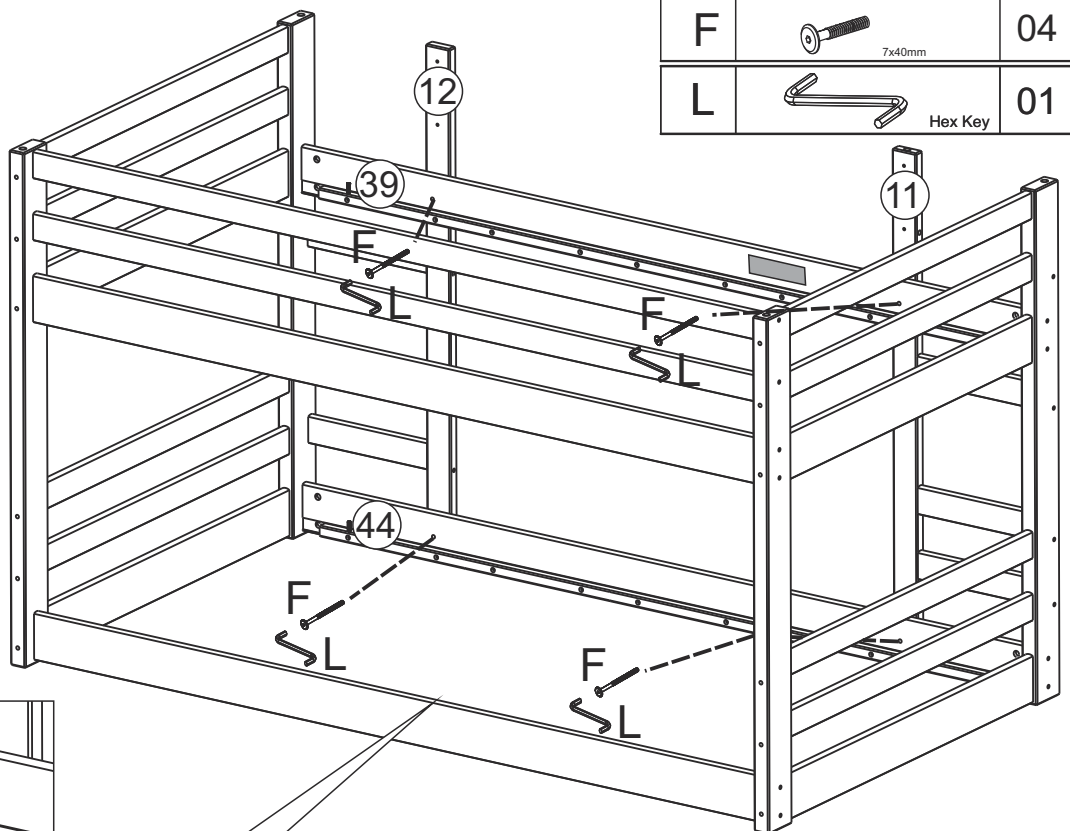
Step 11





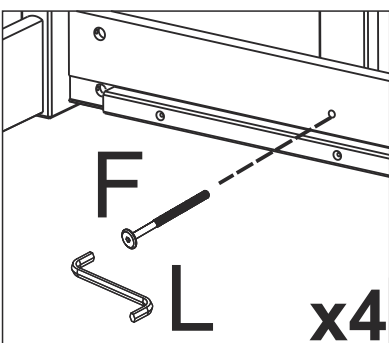
Attach ladder side rail (11 and 12) to parts (15) using bolts (I) and Hex Key (L).

I	 7x100mm	06
L	 Hex Key	01

Step 12

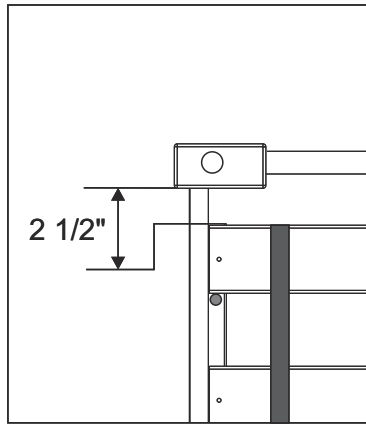
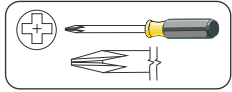


F	 7x40mm	04
L	 Hex Key	01



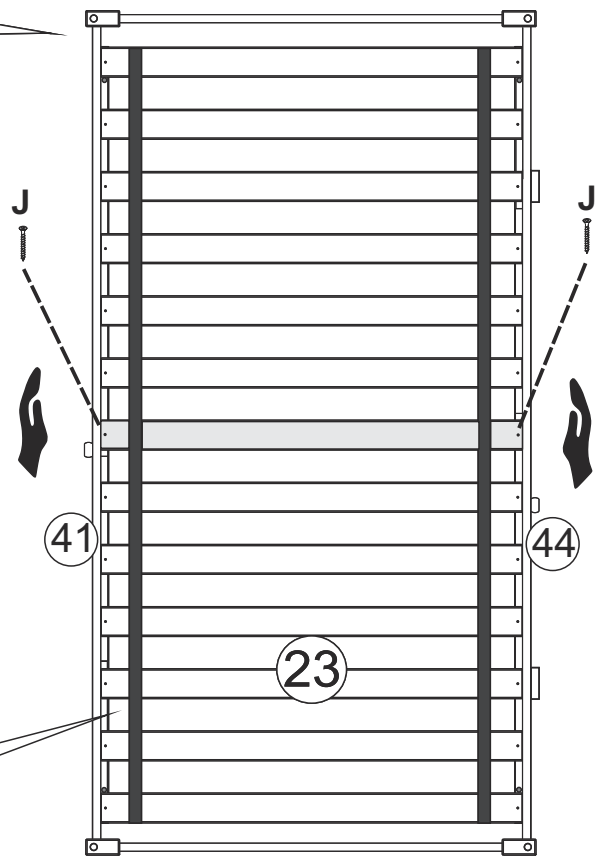
Attach ladder side rail (11 and 12) to side rail (39 and 44) using bolts (F) and Hex Key (L).

Step 15



2 1/2"

Apply pressure to cross beams (41,44) to ensure that mattress supports (23) fit evenly between cross beams



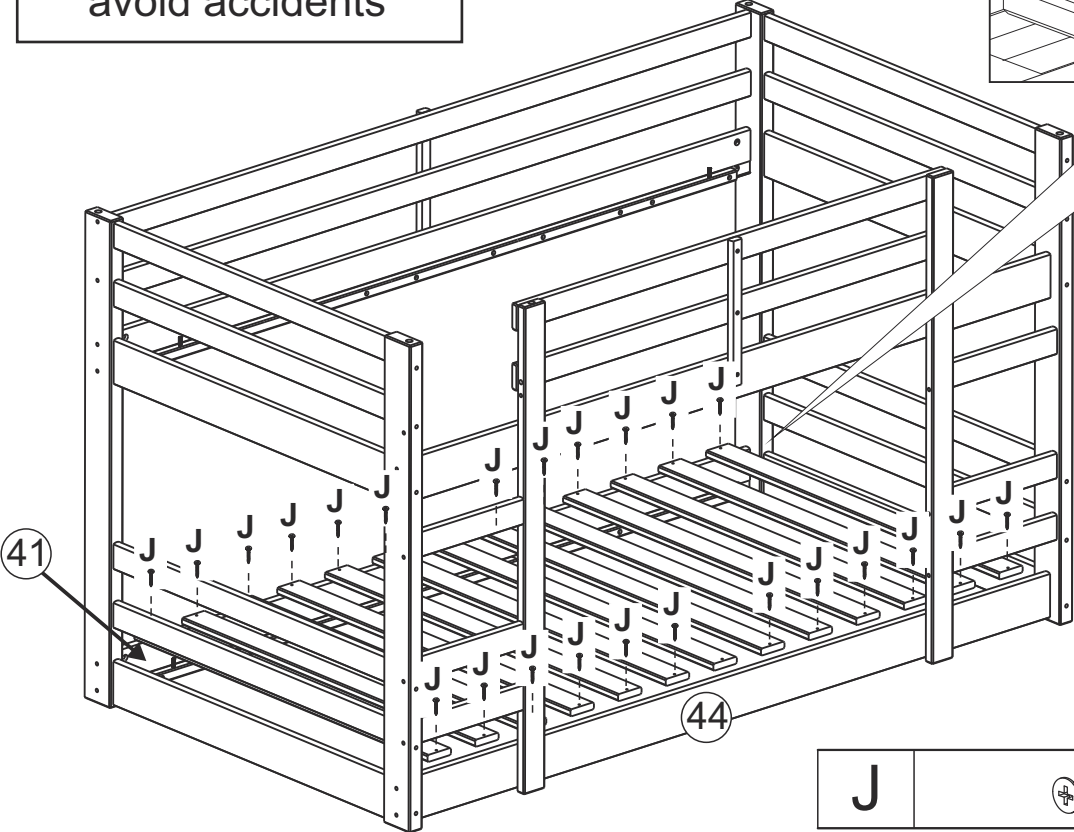
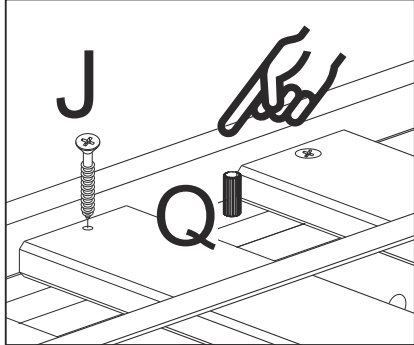
41

44

23


Install slat kit with spacer tape on top (Facing up).

!
Fix the slats as shown in the drawing, on the support of the rails to avoid accidents



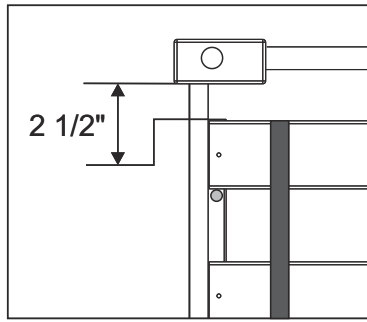
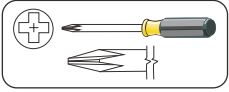
41

44

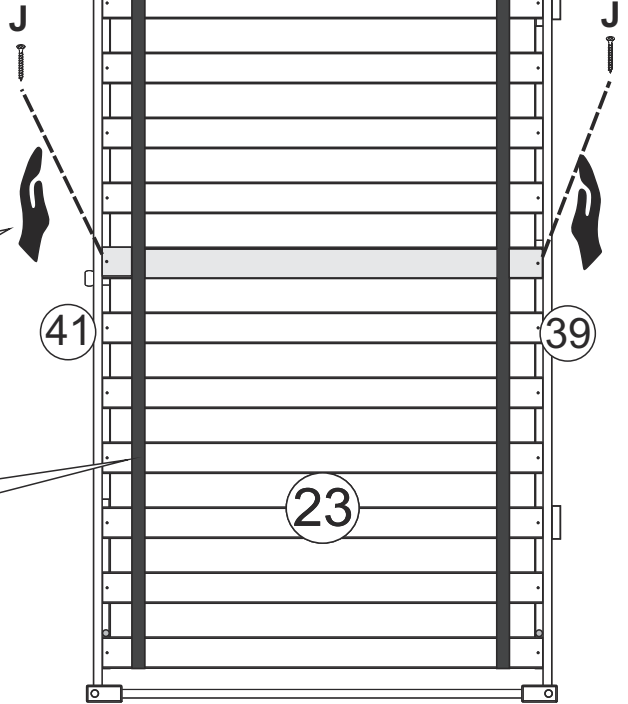
J	 4,0x30mm	26
---	---	----

Install slat kit (23) to bed rails with screws (J). Spacer tape will face up.

Step 16

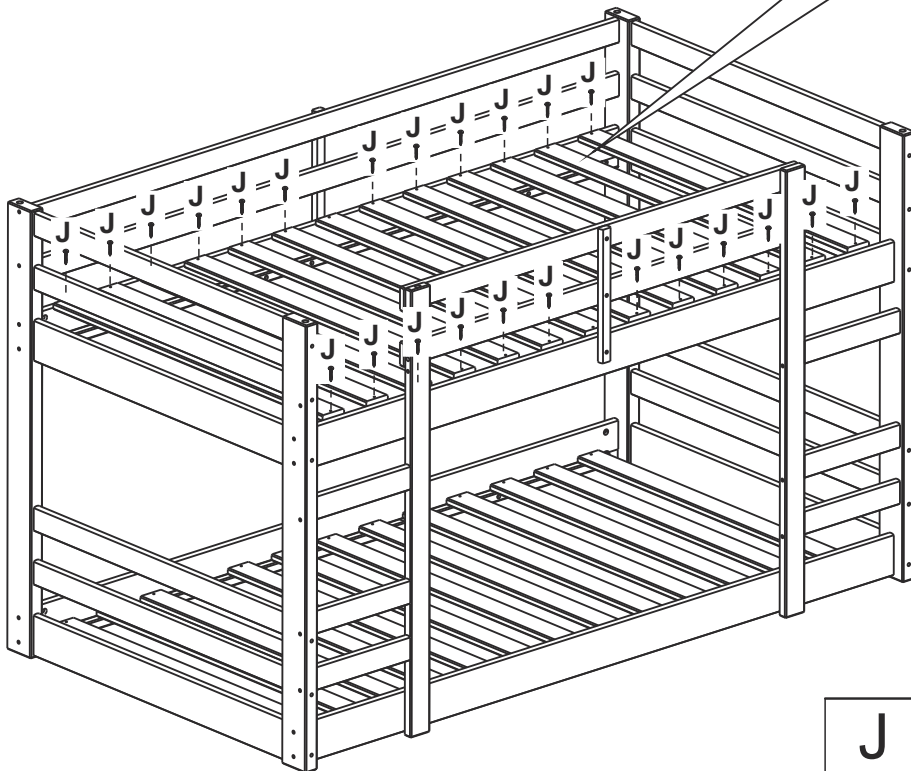
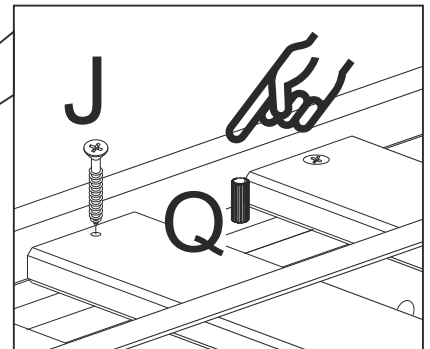



Apply pressure to cross beams (39,41) to ensure that mattress supports (23) fit evenly between cross beams



Install slat kit with spacer tape on top (Facing up).

!
Fix the slats as shown in the drawing, on the support of the rails to avoid accidents



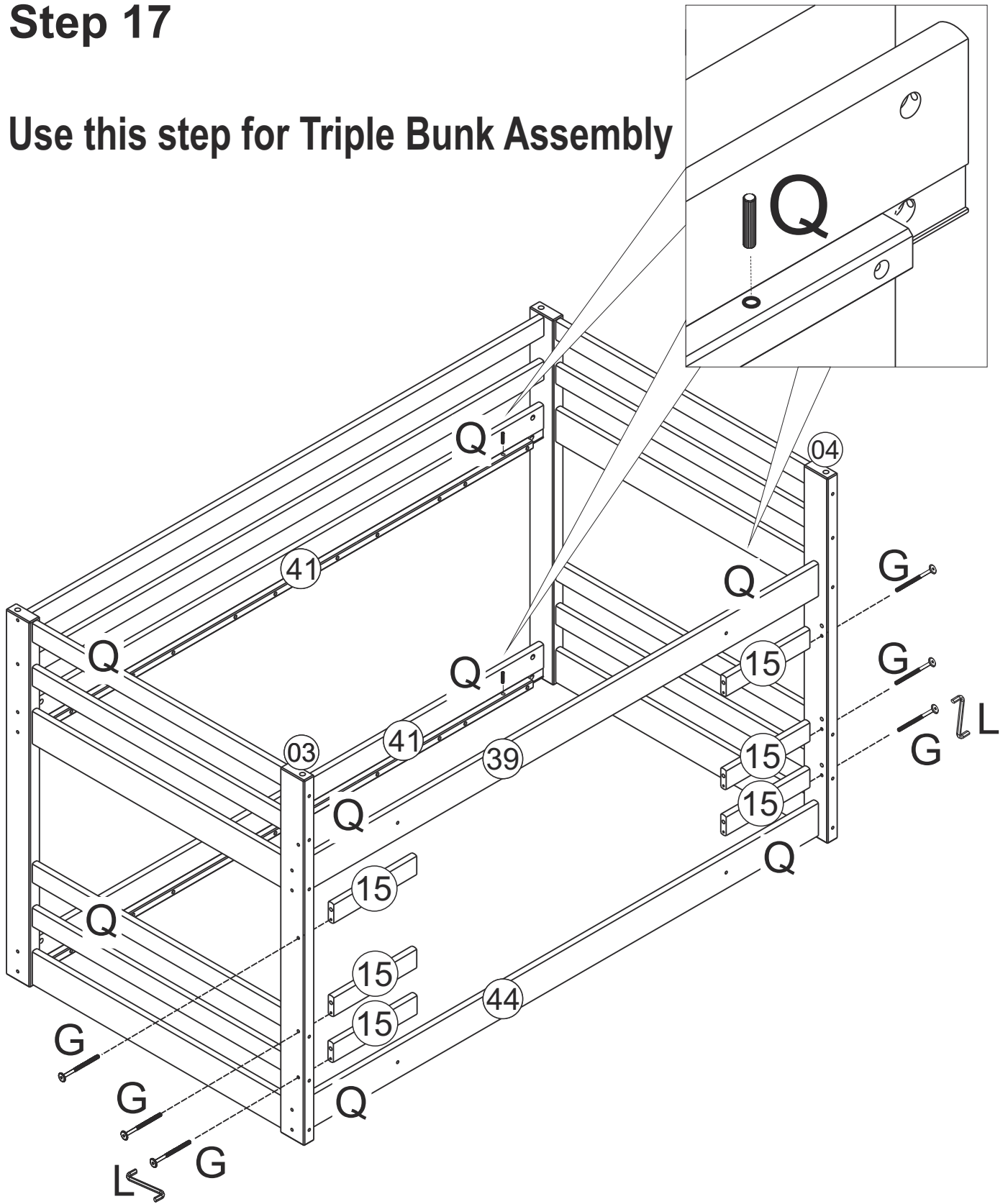
J	 4,0x30mm	26
---	--	----




End of Bunk Bed Assembly

Install slat kit (23) to bed rails with screws (J). Spacer tape will face up.

Step 17

Use this step for Triple Bunk Assembly

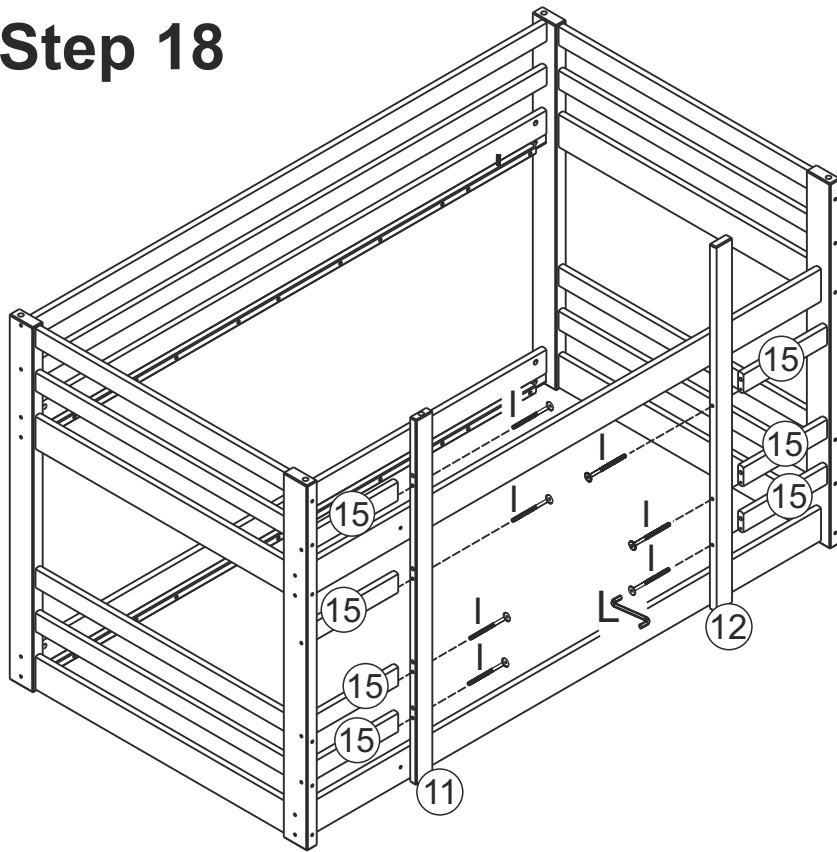




Q	 8x35mm	08
G	 7x80mm	06
L	 Hex Key	01

Insert wood dowels (Q) into side rails (39,41and 44).

Attach parts (15) to legs (3 and 4) using bolts (G) and Hex Key (L).

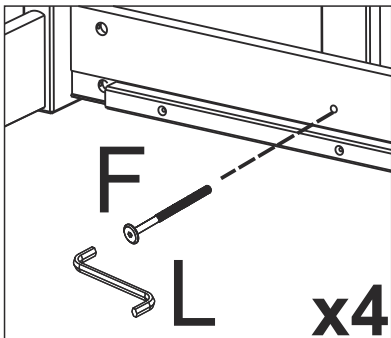
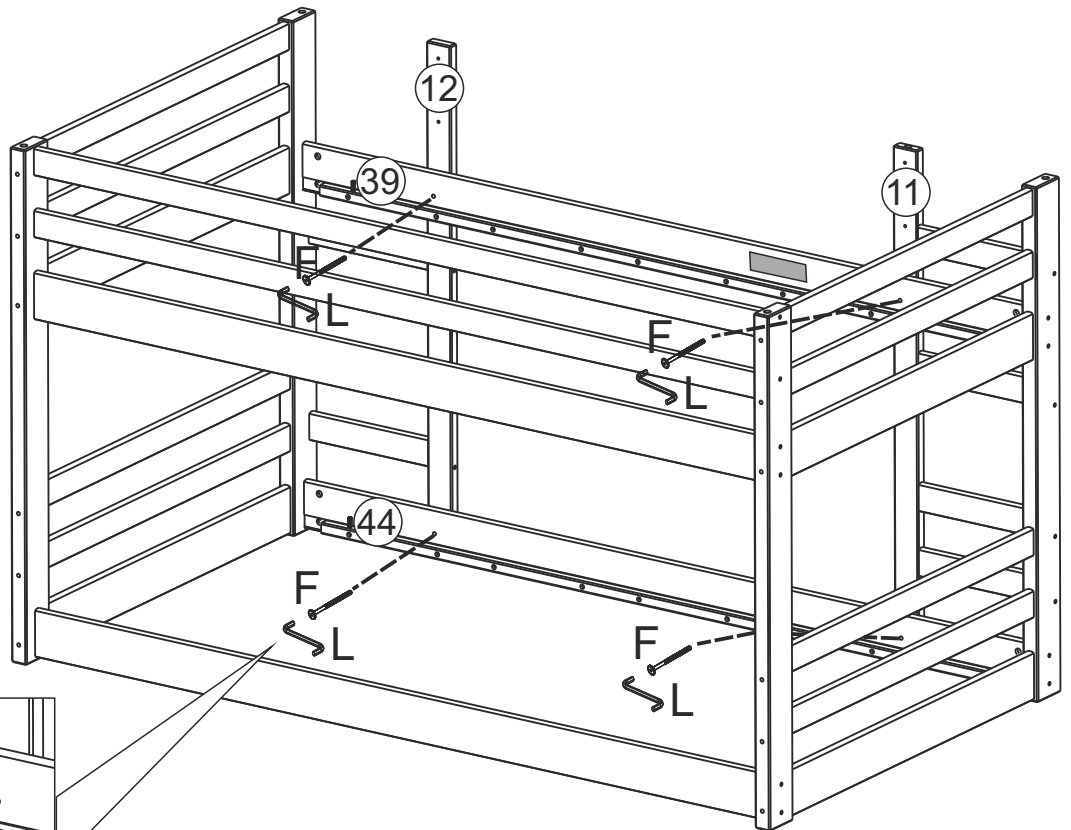
Step 18



I	 7x100mm	07
L	 Hex Key	01



Attach ladder side rails (11 and 12) to parts (15) using bolts (I) and Hex Key (L).

Step 19

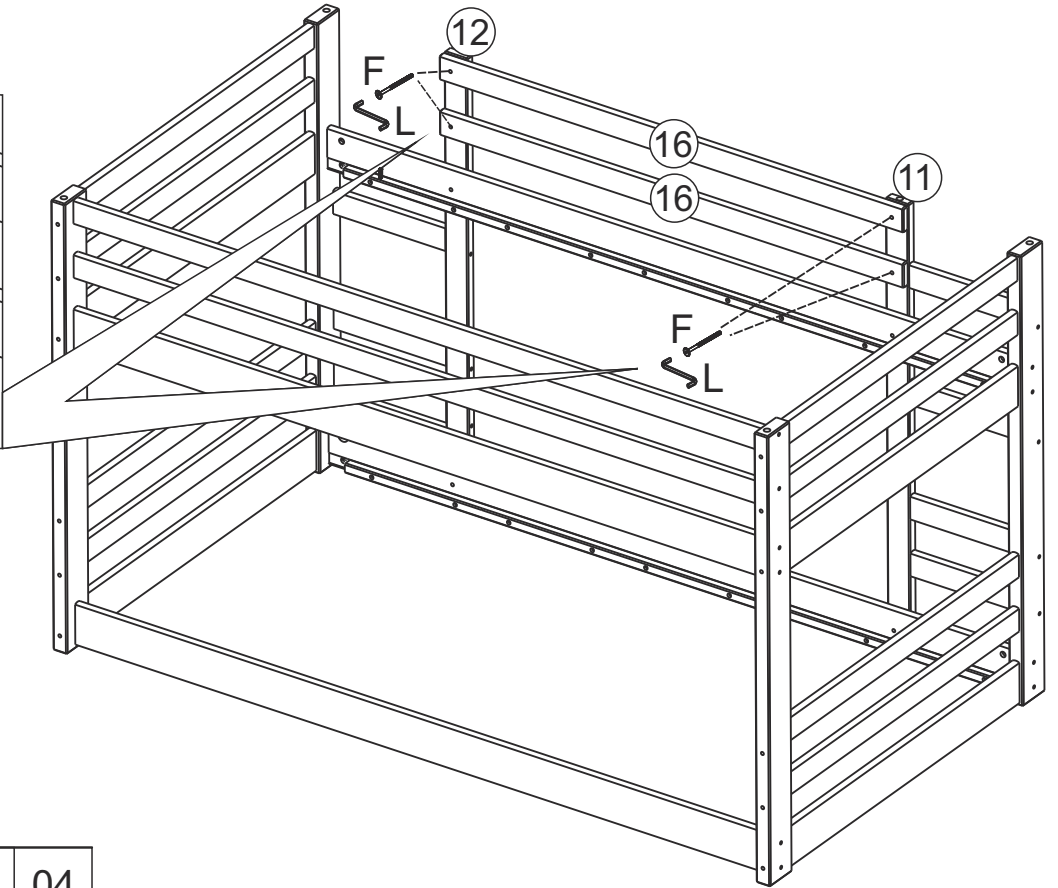
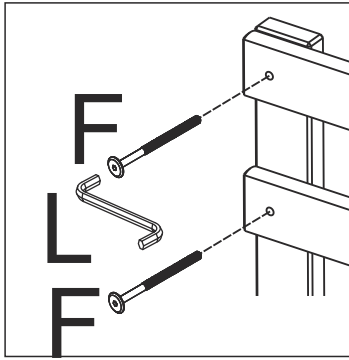



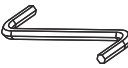
x4

Attach ladder side rails (11 and 12) to side rails (39 and 44) using bolts (F) and Hex Key (L).

F	 7x40mm	04
L	 Hex Key	01

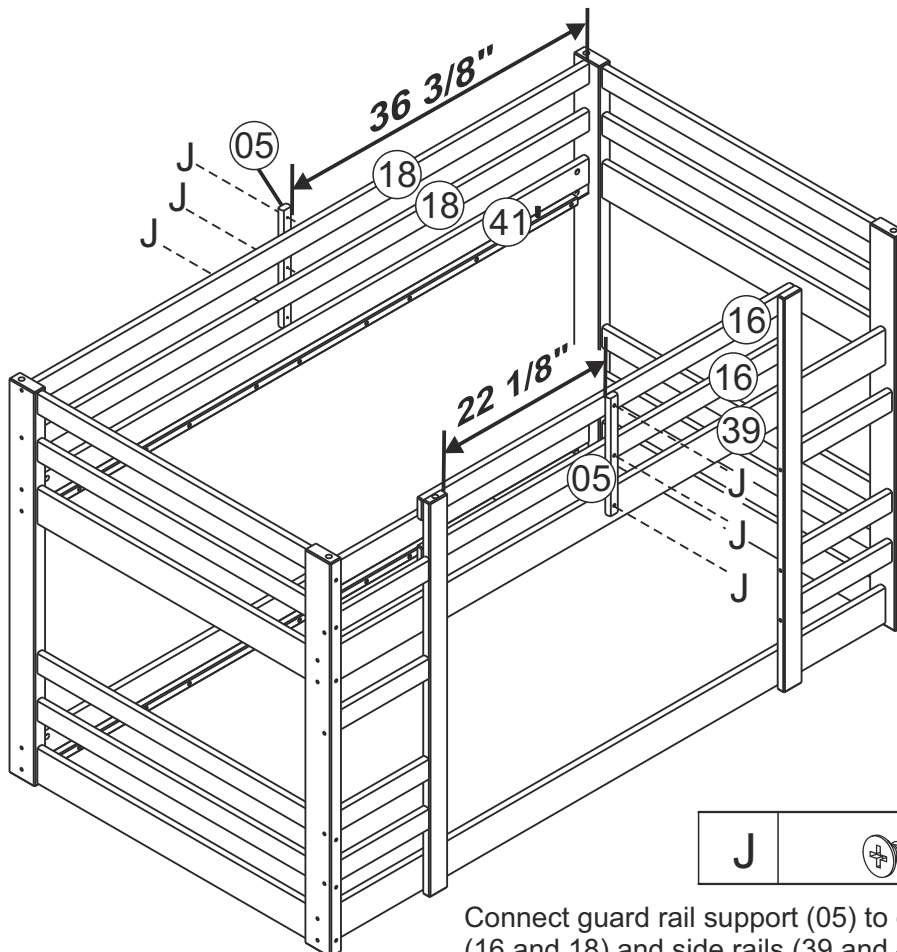
Step 20

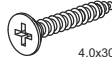


F	 7x40mm	04
L	 Hex Key	01

Attach guard rail (16) to ladder side rails (11 and 12) using bolts (F) and Hex Key (L).

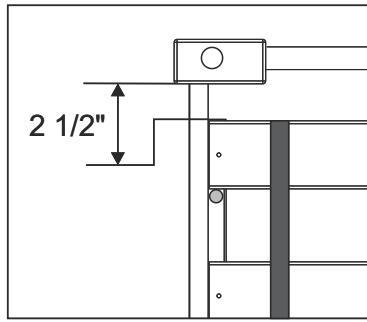
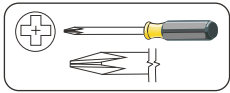
Step 21



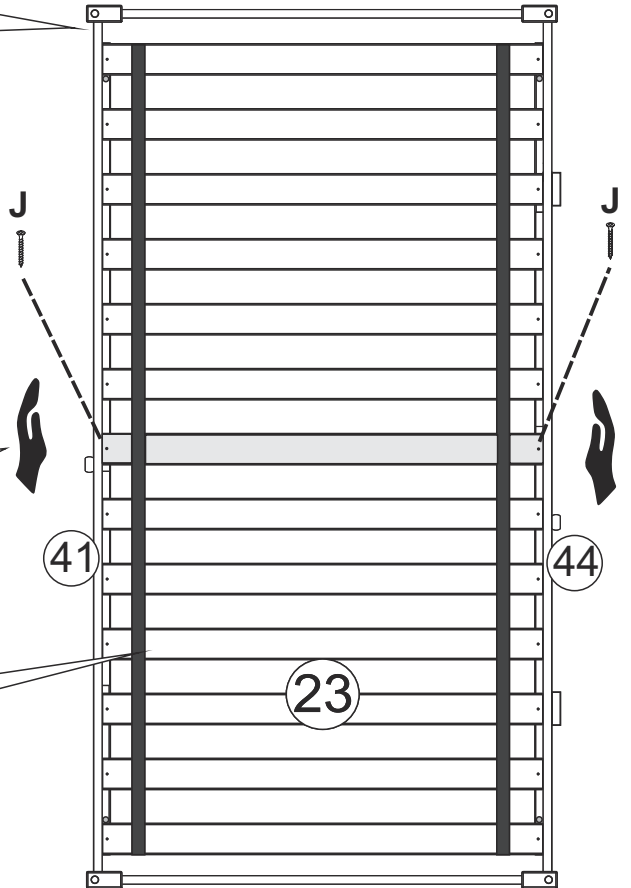
J	 4.0x30	06
---	--	----

Connect guard rail support (05) to guard rails (16 and 18) and side rails (39 and 41) using screw (J). Follow measurements shown in diagram.

Step 22

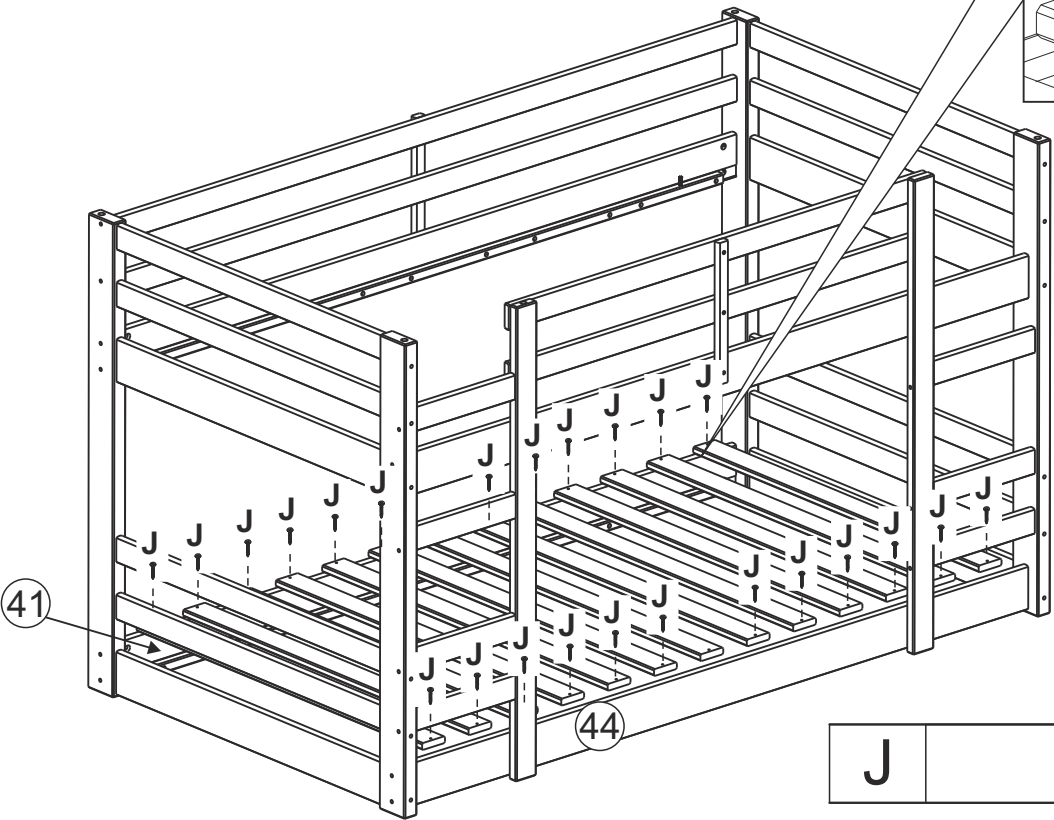
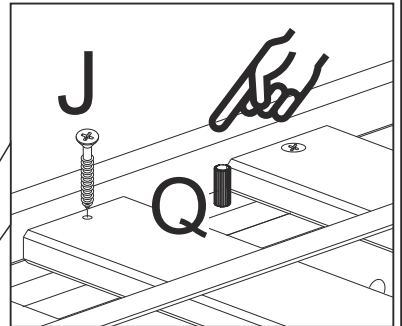



Apply pressure to cross beams (41,44) to ensure that mattress supports (23) fit evenly between cross beams



Install slat kit with spacer tape on top (Facing up).

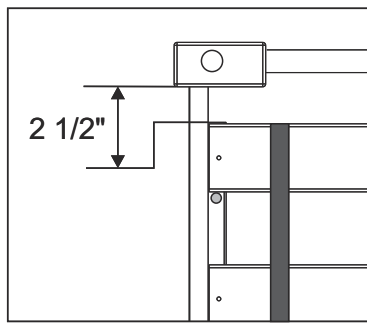
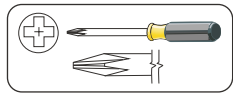
!
Fix the slats as shown in the drawing, on the support of the rails to avoid accidents



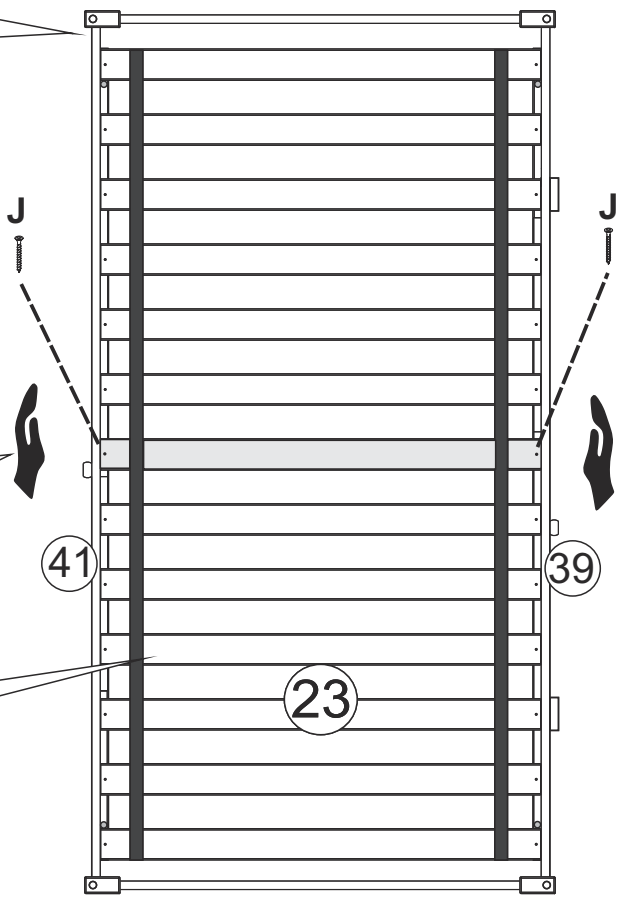
J	 4,0x30mm	26
---	--	----

Install slat kit (23) to bed rails with screws (J). Spacer tape will face up.

Step 23

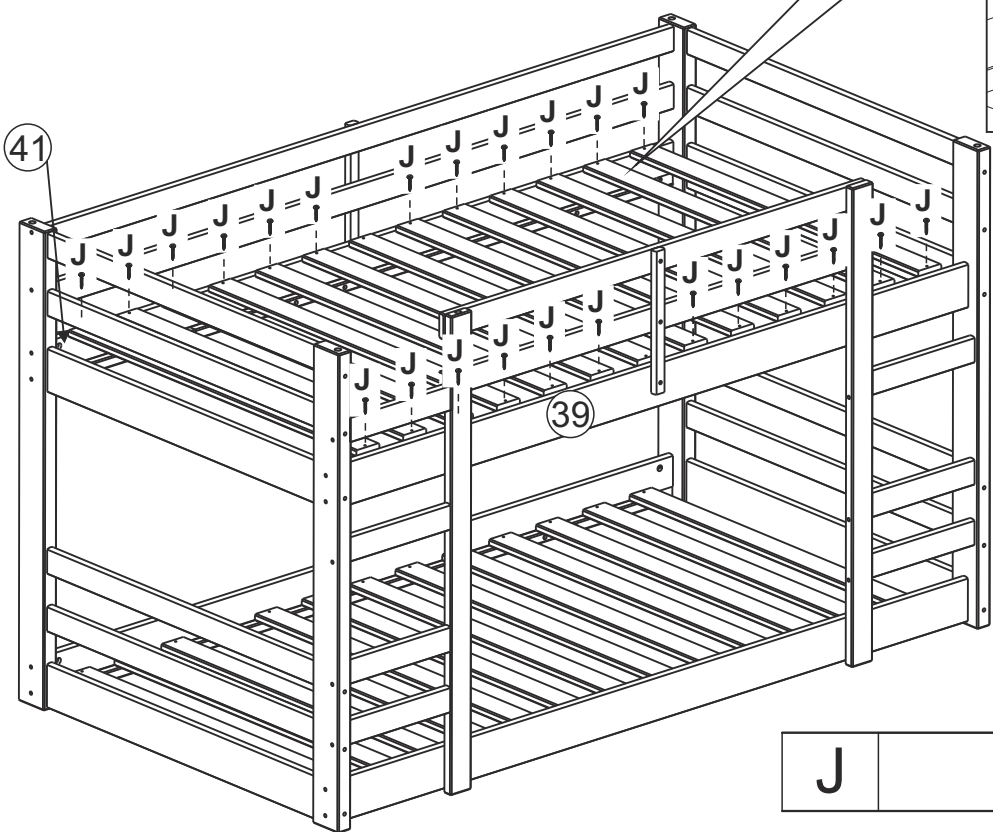
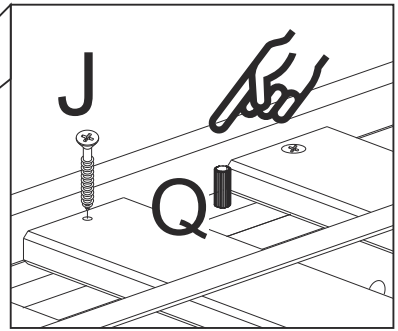



Apply pressure to cross beams (39,41) to ensure that mattress supports (23) fit evenly between cross beams



Install slat kit with spacer tape on top (Facing up).

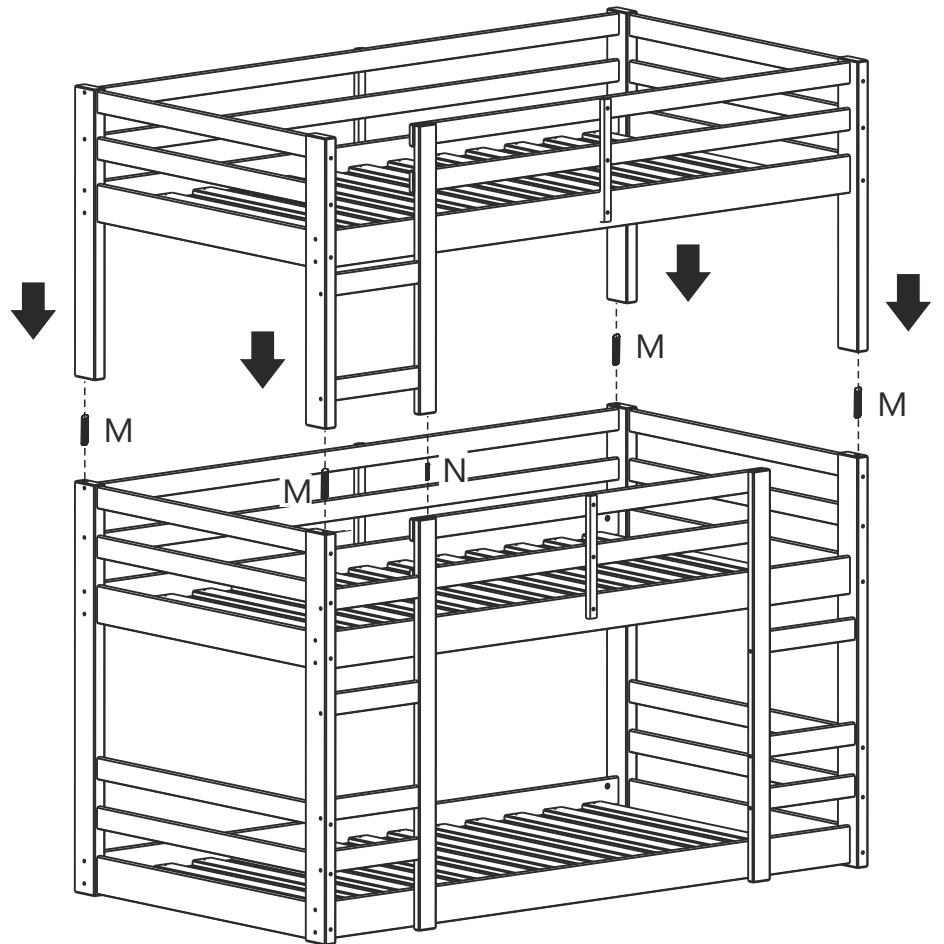
!
Fix the slats as shown in the drawing, on the support of the rails to avoid accidents





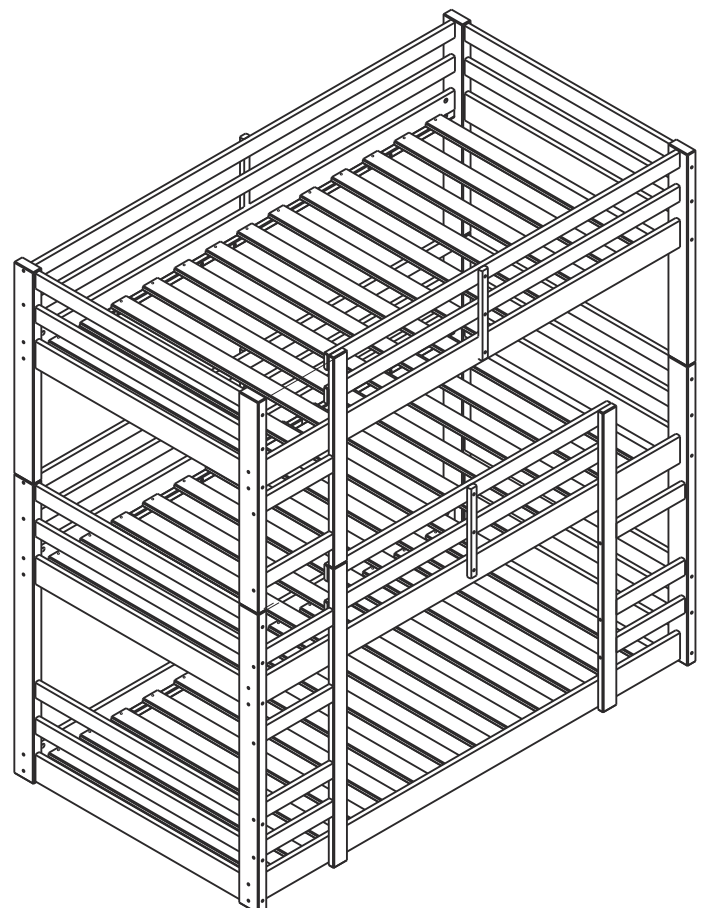
J	 4,0x30mm	26
---	--	----

Install slat kit (23) to bed rails with screws (J). Spacer tape will face up.

Step 24



M	 15x100	04
N	 15x50	01



Final Assembly