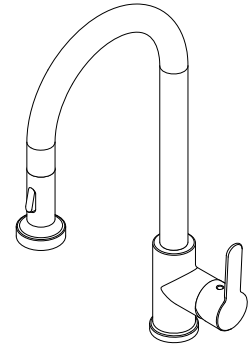





Location:

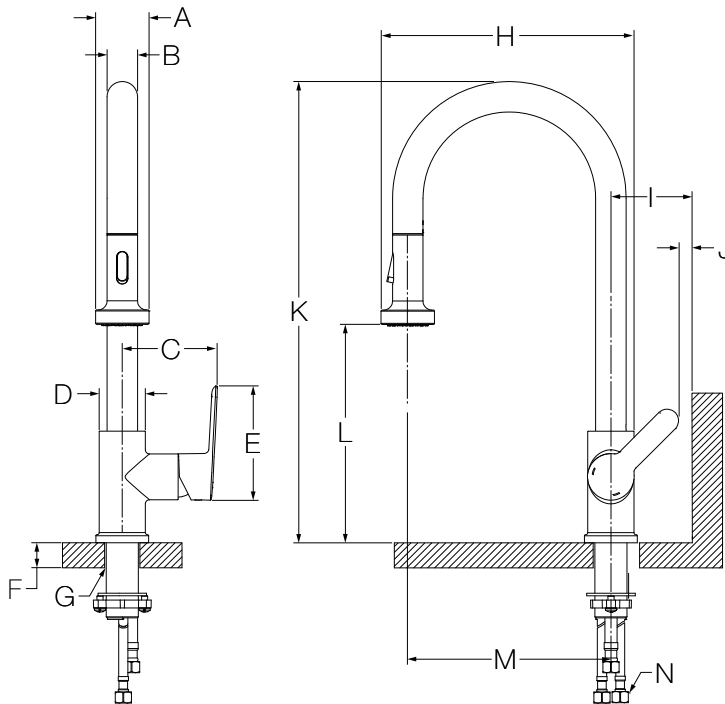


SPP-4310-PD
Kitchen Faucet with Pull-Down Spray
Specification Submittal

<p>Model Numbers</p>	<p>Specification</p>
<p><input type="checkbox"/> SPP-4310-PD <i>Kitchen Faucet with Pull-Down Spray</i></p>	<p>Kitchen Faucet with Pull-Down Spray shall include single hole mount configuration, ceramic cartridge, braided hose connections and standard 2.2 gpm (8.3 L/min) aerator. Faucet shall be made from metal construction, plated in standard polished chrome finish.</p>
<p>Compliance</p> <p>-ASME A112.18.1/CSA B125.1 -NSF/ANSI 61.9, NSF/ANSI 372</p> 	
<p>Warranty</p>	<p>Modifications</p>
<p>Limited Lifetime - to the original end purchaser in consumer/residential installations. 5 Years - for industrial/commercial installations. Refer to www.symmons.com/warranty for complete warranty information.</p>	<p><input type="checkbox"/> -1.5 <i>1.5 gpm (5.7 L/min) aerator</i> <input type="checkbox"/> -MB <i>Matte Black finish (2.2 gpm only)</i> <input type="checkbox"/> -STS <i>Stainless Steel finish</i></p> <p>Note: Append appropriate -suffix to model number.</p>



Dimensions



Measurements	
A	Ø 2-1/16", 52 mm
B	1-3/16", 30 mm
C	3-11/16", 94 mm
D	Ø 1-13/16", 46 mm
E	4-7/16", 113 mm
F	Deck Thickness Ref. Max. 2", 51 mm
G	Hole Size Min. Ø 1-3/8", 35 mm Max. Ø 1-1/2", 38 mm
H	9-13/16", 249 mm
I	3-1/8", 79 mm
J	1/2", 13 mm
K	17-7/8", 454 mm
L	8-1/2", 216 mm
M	7-7/8", 200 mm
N	3/8" compression fittings

Note: Dimensions subject to change without notice.