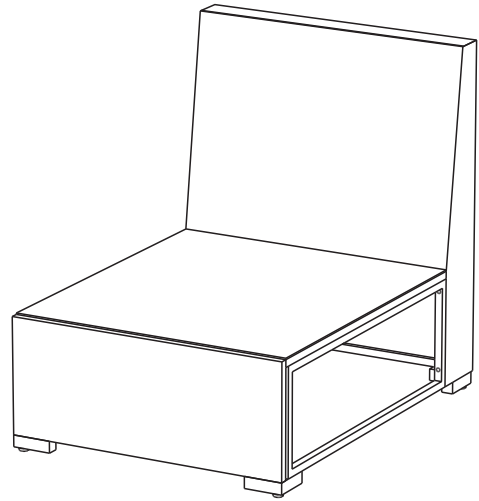
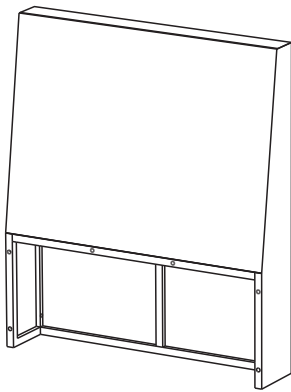


IMPORTANT

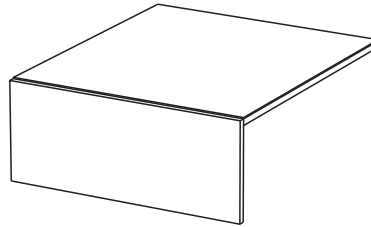
Carefully remove all the parts from the carton and place them individually on a soft cloth to prevent scratches or other damage.

Carefully and strictly follow these assembly instructions to ensure a completed product as designed.

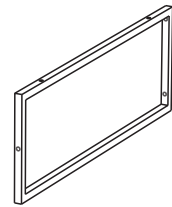
Do not use power tools above 8 volts to assemble.

**Part List**

O.
Back
1 pc.



P.
Seat
1 pc.



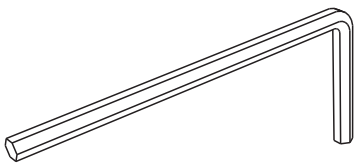
D.
Frame
2 pcs.



E.
Foot
4 pcs.



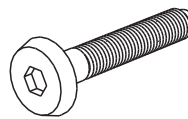
J.
Clip
2 pcs.

Hardware List

Hex Wrench
1 pc.



Small
Hex Wrench
1 pc.



M6x35
Head Cap Bolt
20 pcs. (+1 extra)



Spring Washer
20 pcs. (+1 extra)



Flat Washer
20 pcs. (+1 extra)

Assembly Instructions 2/5

IMPORTANT

- Use a soft cloth between these parts and the floor.
- Do not use power tools above 8 volts to assemble.
- Do not tighten all the bolts until each part is properly assembled.
- The unit must be level to work properly. Use the included adjustable levelers to level.
- Keep Hex Wrench as the bolts may need to be tightened in the future.

Middle Unit

STEP 1

Attach Seat (P) to Back (O) with Head Cap Bolts, Spring Washers and Flat Washers, tightening bolts only halfway. (See Figure 1)

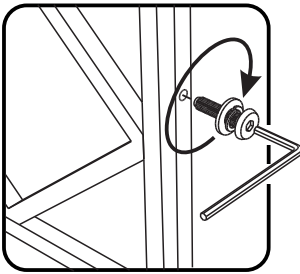
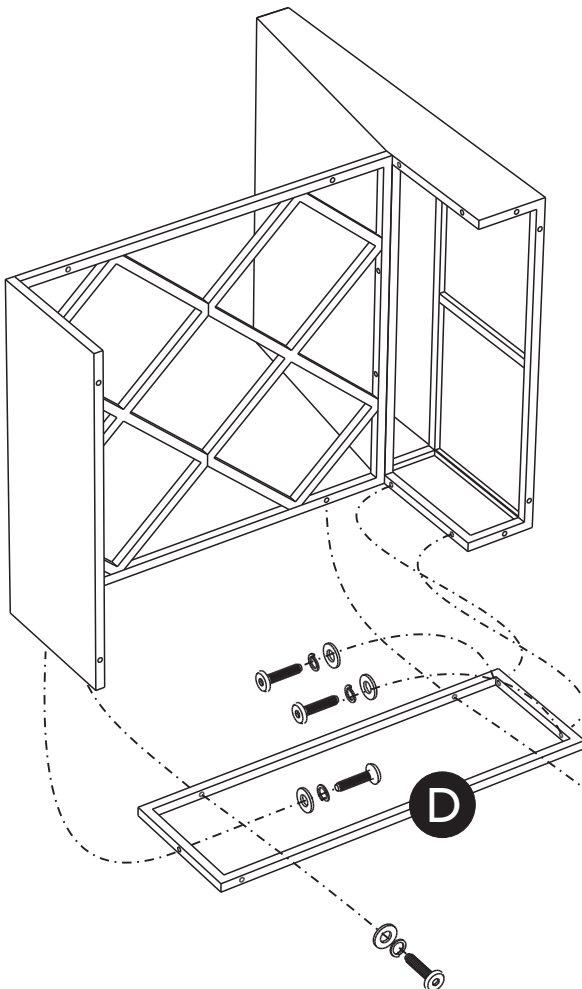
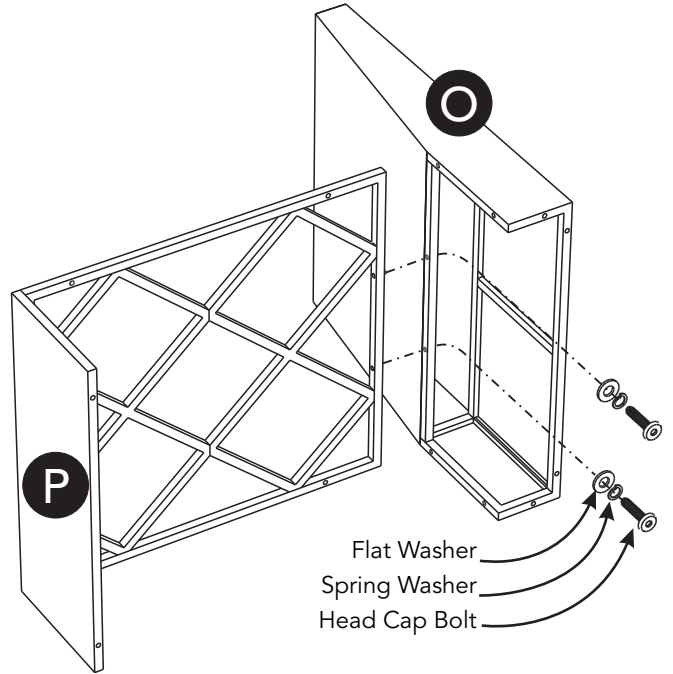


Figure 1



STEP 2

Attach Frame (D) to unit with Head Cap Bolts, Spring Washers and Flat Washers, tightening bolts only halfway.

Flat Washer
Spring Washer
Head Cap Bolt

STEP 3

Attach Frame (D) to unit with Head Cap Bolts, Spring Washers and Flat Washers, tightening bolts only halfway.

Tighten all bolts used in Steps 1, 2 and 3.

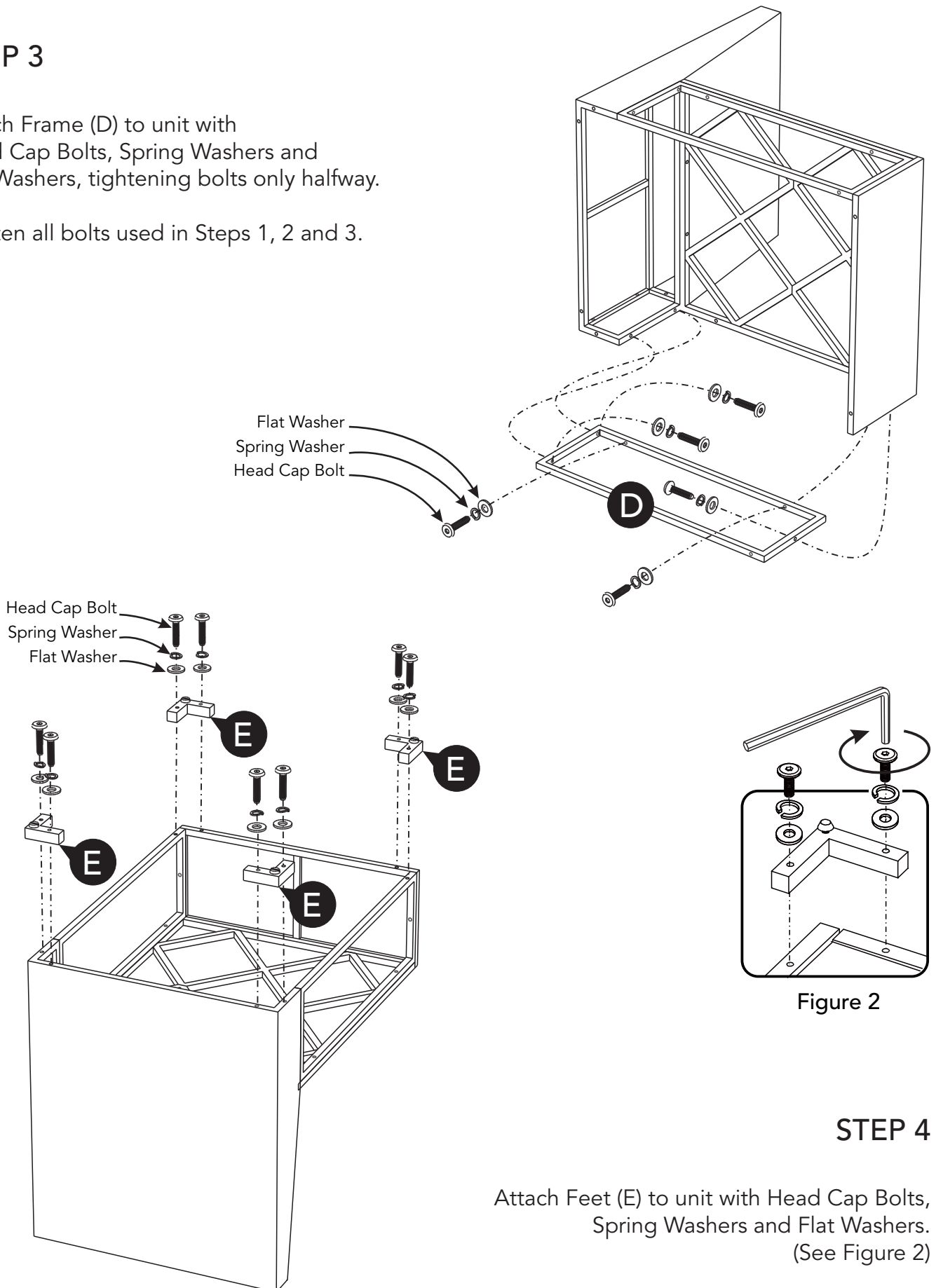


Figure 2

STEP 4

Attach Feet (E) to unit with Head Cap Bolts, Spring Washers and Flat Washers.
(See Figure 2)

Assembly Instructions 4/5

For a sofa, follow instructions in 6800-57 carton, then complete Steps 5 and 6.

For a 5, 6 or 7 seat sectional, follow instructions in 6800-401 and 6800-402 cartons.

Sofa

STEP 5

Attach left unit, middle unit and right unit with Clips (J).
(See Figure 3)

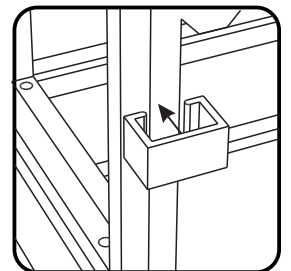
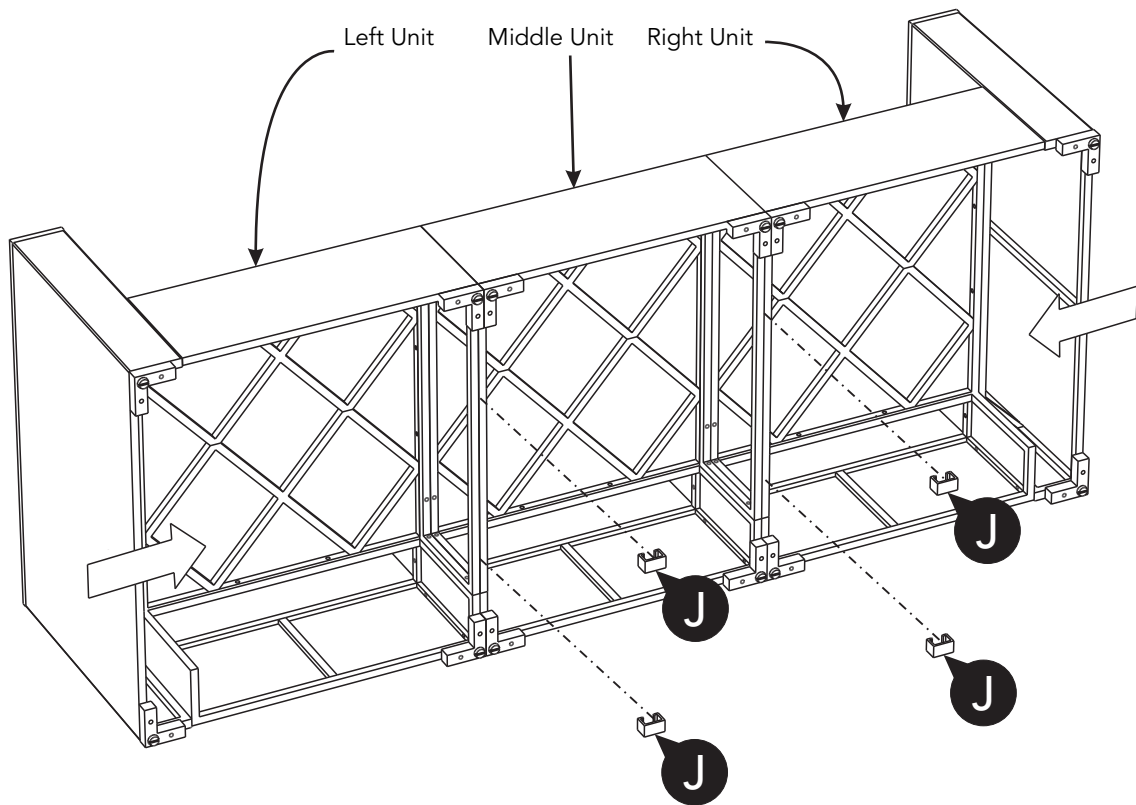


Figure 3

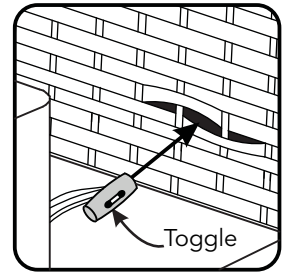
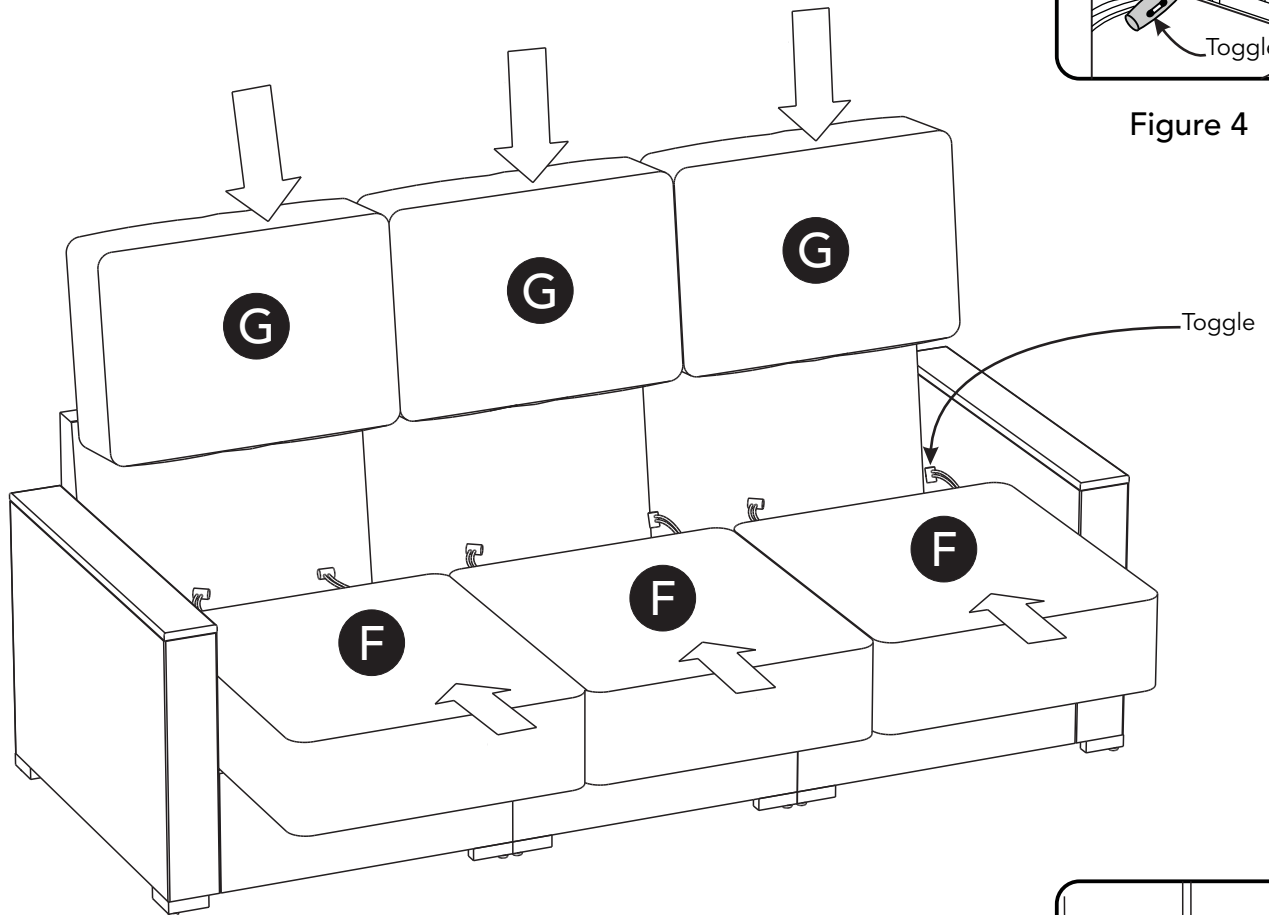


Figure 4

STEP 6

Three 6800-CUS cartons are also needed for this step.

Turn unit to its upright position.

Attach Seat Cushions (F) to unit by pushing toggles through weaving in back of unit.
(See Figure 4)

Place Back Cushions (G) into position.

Level unit by adjusting the adjustable levelers on bottom of unit.
(See Figure 5)

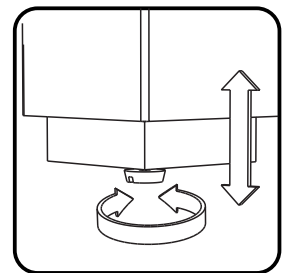


Figure 5

CARE INSTRUCTIONS

NEVER

allow liquids to remain on furniture.
Absorption causes parts to warp
and split and finishes to delaminate.

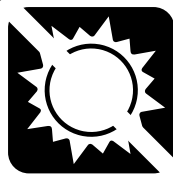
NEVER

use glass cleaners on
finished furniture. Ammonia
chemically attacks the finish.



Do not use power tools
above 8 volts to assemble.

**PREVENT
CRACKING**



Do not place
in direct sunlight.

**PREVENT
FADING**



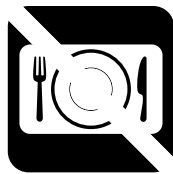
Do not write
directly on surface.

**PREVENT
MARKING**



Do not place hot
objects on surface.

**PREVENT
FINISH DAMAGE**



Do not use rubber
based placemats.

**PREVENT
DISCOLORING**



Do not use commercial
waxes and polishes.

**PREVENT
YELLOWING**

CLEAN

with a soft cloth moistened
in lukewarm soap and water.
Buff with a dry clean cloth.



homestyles will provide replacements free of charge for missing or damaged parts within 1 year of purchase. Digital images of the defective parts may be required. If the product was not purchased from an authorized retailer, **homestyles** is under no obligation to provide replacement parts. Parts are not available for fully assembled items nor are parts available for sale. Replacements for missing or damaged parts may be requested via contact info below.

homestyles Customer Service: www.homestylesfurniture.com,
servicedesk@homestylesfurniture.com, 888-680-7460