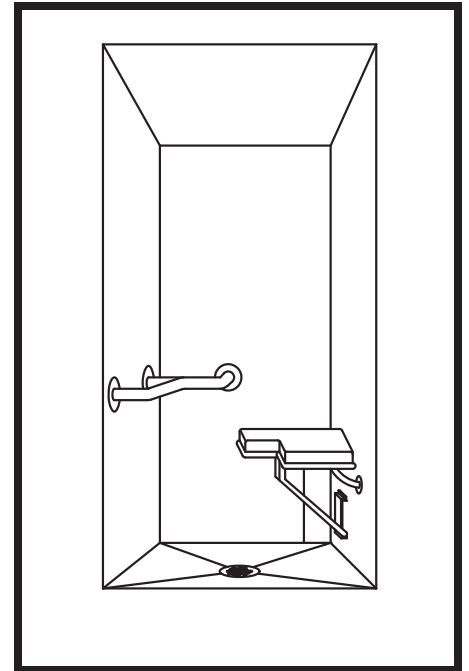
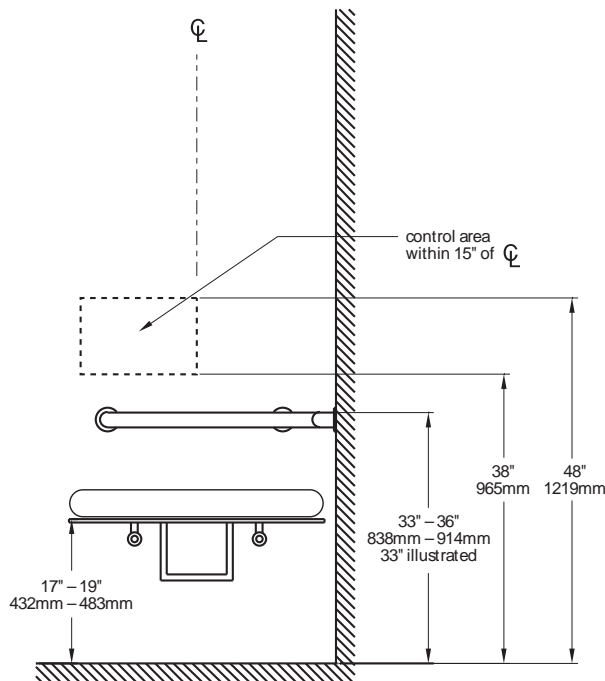
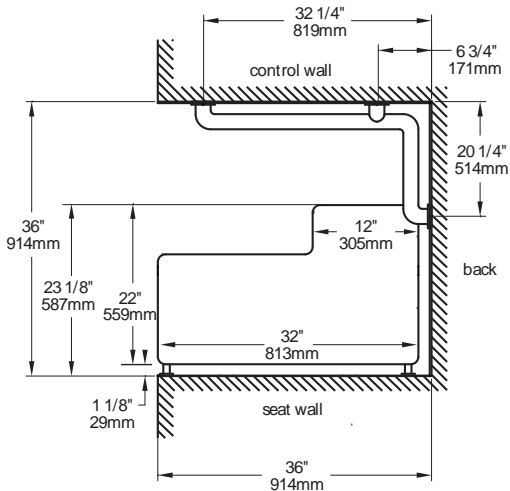


HC-3 & HC-4 Symmons Padded Seat and Grab Bar

Symmons folding padded seat and two wall grab bar for shower enclosure (right or left hand configuration) will support up to 250 pounds. Seat features foam rubber cushion covered with mildew resistant white marine vinyl, stainless steel frame, mounting flanges and wall bracket. Seat folds up when not in use. Grab bar fabricated of 18-8 type 304 18 gauge stainless steel with concealed vandal-resistant stainless steel mounting flanges. (Note: Illustration for location purpose only. Structural walls, floor, etc. not provided.)



Model Number:

- HC-3 Right Side Padded Seat & Bar**
- HC-4 Left Side Padded Seat & Bar**
- HC-119 Right Side Padded Seat Only**
- HC-120 Left Side Padded Seat Only**

Job/Location

.....

Engineer

.....

Contractor

.....

Compliance:

Americans with Disabilities Act (ADA)



Symmons Industries, Inc. ■ 31 Brooks Drive ■ Braintree, MA 02184
 Phone: (800) 796-6667 ■ Fax: (800) 961-9621 ■ Website: symmons.com
 Email: gethelp@symmons.com

Copyright © 2018 Symmons Industries, Inc. ■ ZV-952 REV D ■ 030918

