


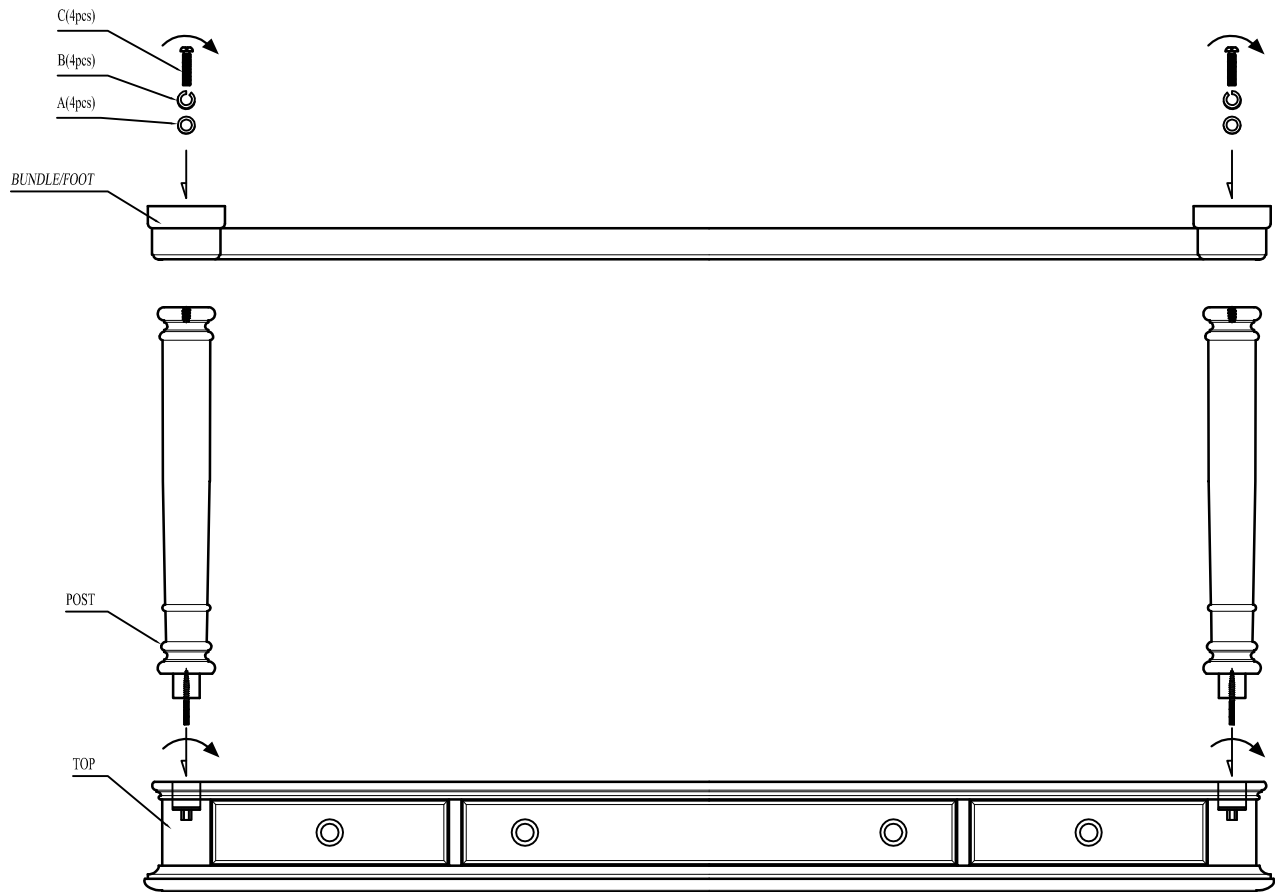
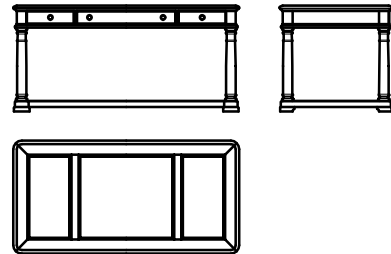


7-9148 WRITING DESK

NO.	Hardware List	Q'ty
A	 Flat Washer 5/16" Dia	4
B	 Lock Washer (5/16"Dia)	4
C	 Bolt (5/16"Dia *3-1/8"L)	4

Note: Tools required screw driver



ASSEMBLY INSTRUCTION

- 1.PLACE THE TOP UPSIDE DOWN ON SOFT SURFACE TO PREVENT DAMAGE.
- 2.ROTATE POST TO BE TIGHTENED.
- 3.CAREFULLY TURN THE UNIT UPRIGHT.