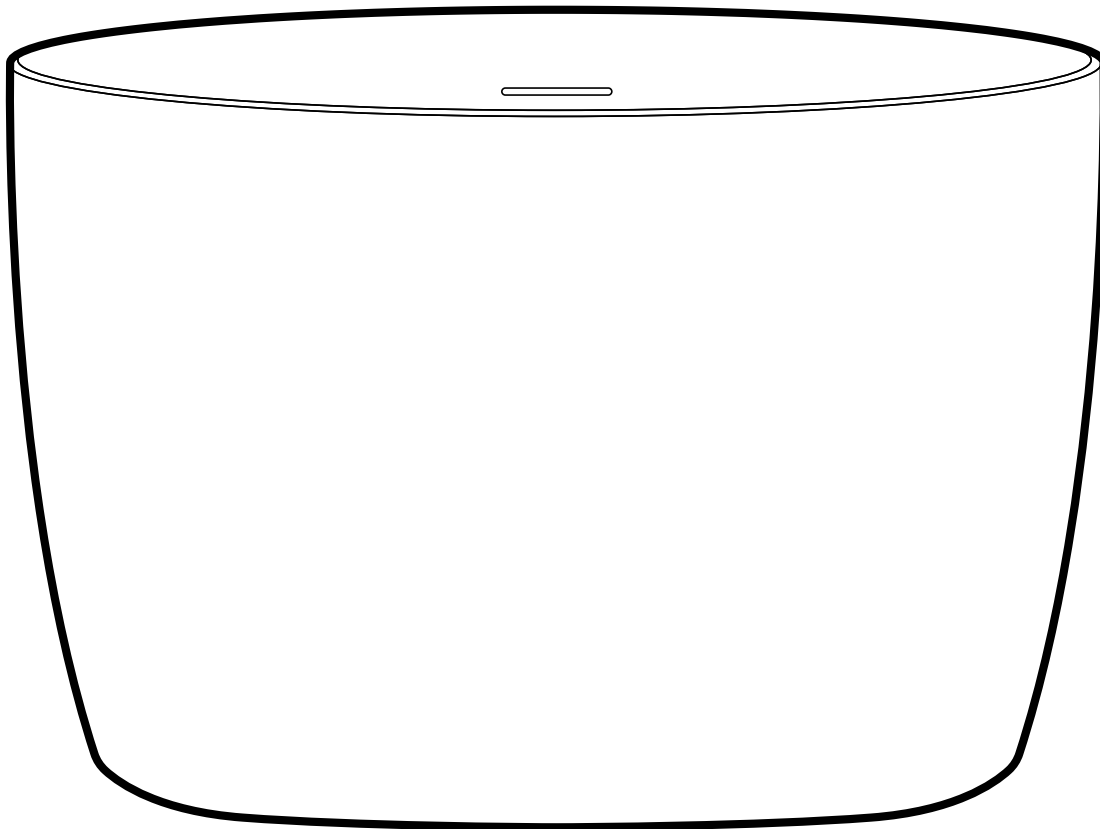


# Freestanding Bathtub

## INSTALLATION INSTRUCTIONS





## PRIOR TO INSTALLATION:

- Inspect product to ensure no damages have occurred while in shipping.
- Observe all plumbing and building codes in accordance with your state and local requirements.
- All dimensions are nominal! Be sure to measure your bathtub prior to installation.
- The step-by-step guidelines in the installation instructions are a general reference. Should there be any discrepancies, Swiss Madison cannot be held liable. It is recommended to install all Swiss Madison products by hiring a licensed professional.
- Read installation and maintenance instructions thoroughly before installing. Be sure to use proper tools and always wear proper personal safety accessories for your protection.

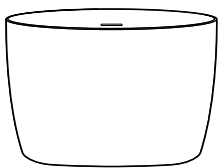
## QUESTIONS OR CONCERNS?

Please contact us:

1-434-623-4766

[info@swissmadison.com](mailto:info@swissmadison.com)

## INCLUDED PARTS:

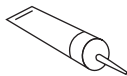


Freestanding Bathtub

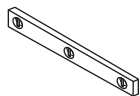
## SUGGESTED TOOLS:



Drop cloth



Silicone



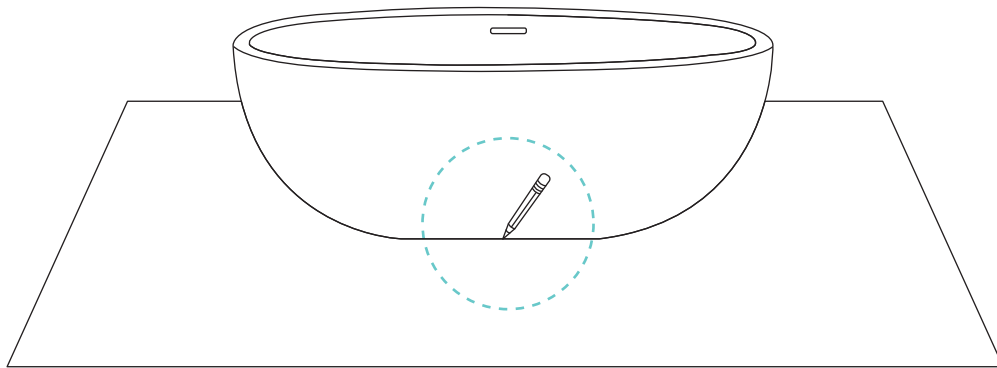
Level



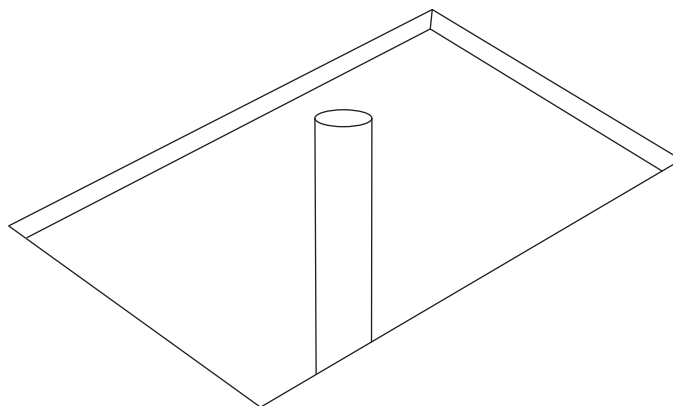
Pencil

**PREPARATION:****1**

- Clean, level, and prepare the floor for installation.
- Place the unit in the exact installed position on the floor and trace the outline of the bath with a pencil or any erasable marking.

**2**

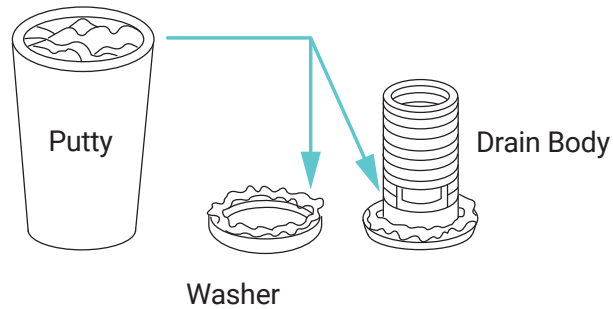
- Determine the location of the drain pipe, on the floor by taking measurements of the drain and waste location underneath the unit.
- Using a blanket, cardboard, or other clean protective surface, turn the unit on its side so that the unit is properly supported during drain installation
- Clean the drain hole area in preparation of setting the drain. The area should be dry and free of any debris



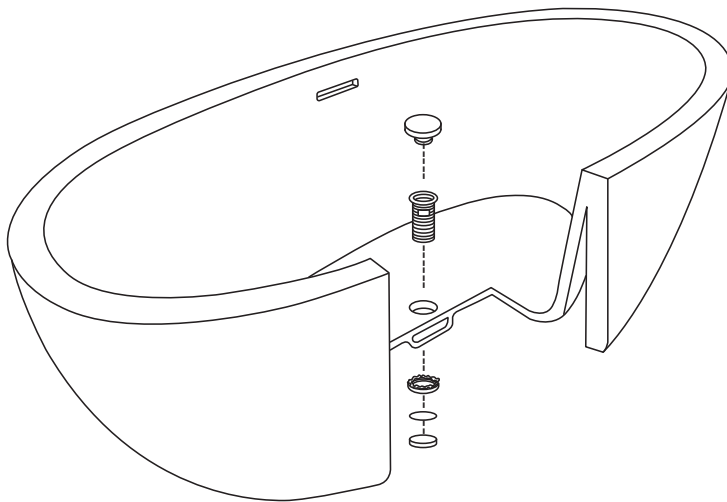
Note: Drain, waste locations, and trim options vary by model.

## INSTALL DRAIN HARDWARE:

- 1 • Apply a bead of clear silicone or plumbers putty around the drain body and pass it through the drain hole. Apply plumbers putty to the washer and slide it over the bottom of the drain body.



- 2 • Slide the paper washer over the drain body.  
• Attach the drain body nut on the drain body and tighten until the nut and washer have created a seal with the bottom of the bathtub. **DO NOT OVER TIGHTEN.**



- 3 • Drain waste vent must always be installed according to local standard. Verify the placement of the bathtub before drilling the hole for the drain waste vent.  
• Install 1 1/2" tail pipe over the drain waste vent.  
• Cut tail pipe over to desired length (will vary for each installation).  
• Slide tail piece nut over tail piece towards flanged end.  
• Connect tail piece assembly to waste vent.  
• Place flange washer on top of tail piece.

## ONE YEAR LIMITED WARRANTY

Swiss Madison® products are made with quality materials and excellent craftsmanship to provide our customers with beautiful, durable, long-lasting products. Should there be any defects in materials or craftsmanship under regular use that are discovered within the first year of installation, Swiss Madison® will provide replacement parts at no charge, or at its discretion, replace any product or part of the product that is deemed defective, under normal installation, use, service or maintenance. This warranty applies only to the original purchaser. Proof of purchase will be required in the instance of a claim.

Swiss Madison® recommends all installations of Swiss Madison® products to be conducted by a licensed, professional plumber or contractor. Swiss Madison® will not be held responsible for any damage or product failure due to improper installation, misuse, or failure to utilize a licensed professional for installation. Swiss Madison® is not responsible for any installation or removal costs.

### THIS ONE YEAR LIMITED WARRANTY WILL BE VOIDED IF:

- The installation recommendations were not followed by the installer
- The product has been moved from its initial place of installation
- The product has in any way been modified from its packaged state
- The product has been subjected to improper maintenance, abuse, misuse, excessive use of chemicals, accidents, or other damages, etc.

Swiss Madison® makes no implication that its products comply with any local building or plumbing codes. It is the consumer's responsibility and obligation to determine local code compliance prior to and during installation. This warranty extends only to the original purchaser and first consumer.

Swiss Madison® is not responsible for any special, incidental or consequential damages associated with the installation, replacement, return or use of the original purchaser's product. This includes, but is not limited to: freight costs, labor, travel time, lost profit, home damages and other contingent liabilities and costs (including, without limitation, costs associated with 'professionals' or 'experts', investigations, audits, analyses, attorneys and any other professional/hired services).

The Swiss Madison® warranty is a comprehensive and explicit limit of liability. All items not disclosed within the warranty are not addressable within the responsibility of Swiss Madison®. Certain states have variances regarding implied warranties; in those situations, we remain fully compliant.

### QUESTIONS OR CONCERNS?

Please contact us directly at 1-434-MADISON (623-4766)

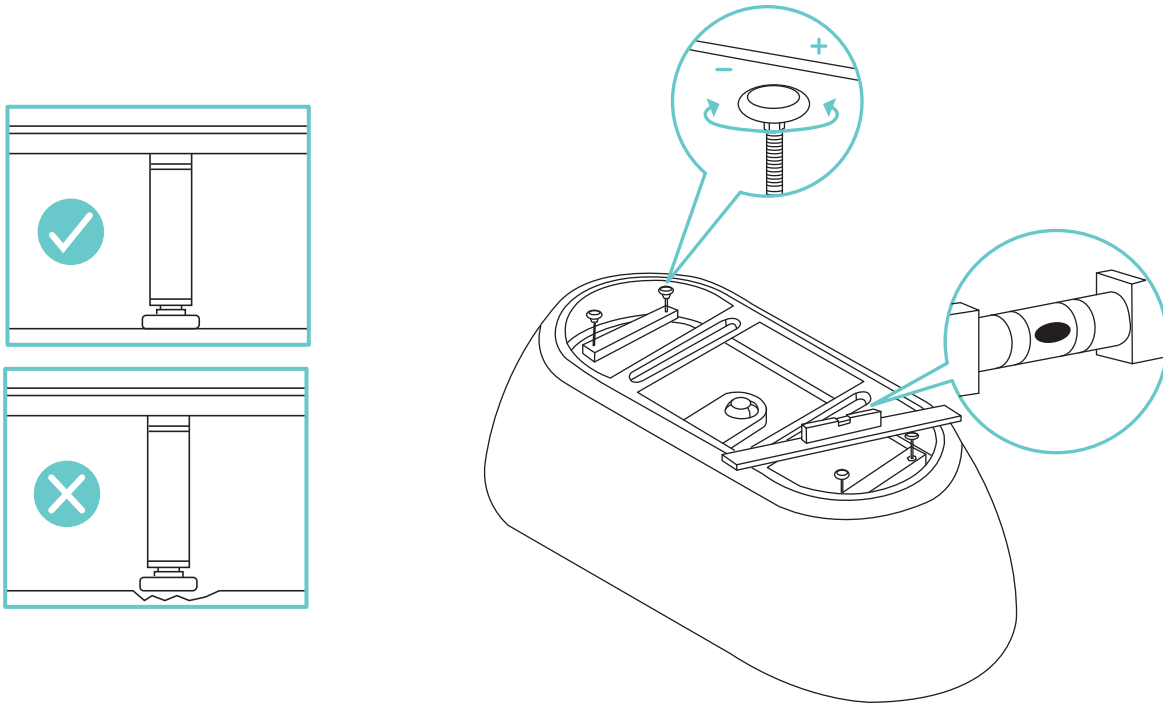


#### **WARNING:**

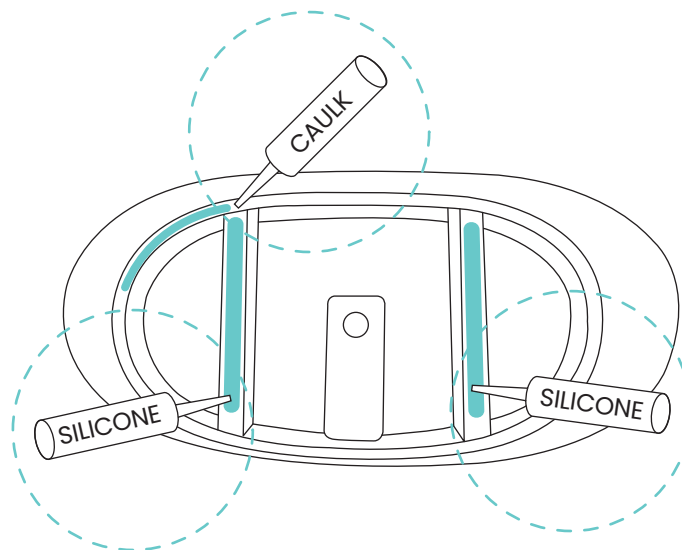
Contents of your order may contain sharp and possibly other harmful pieces and may cause hazard to children and adults. Swiss Madison® is not responsible in any way for personal damages.

## INSTALL BATHTUB:

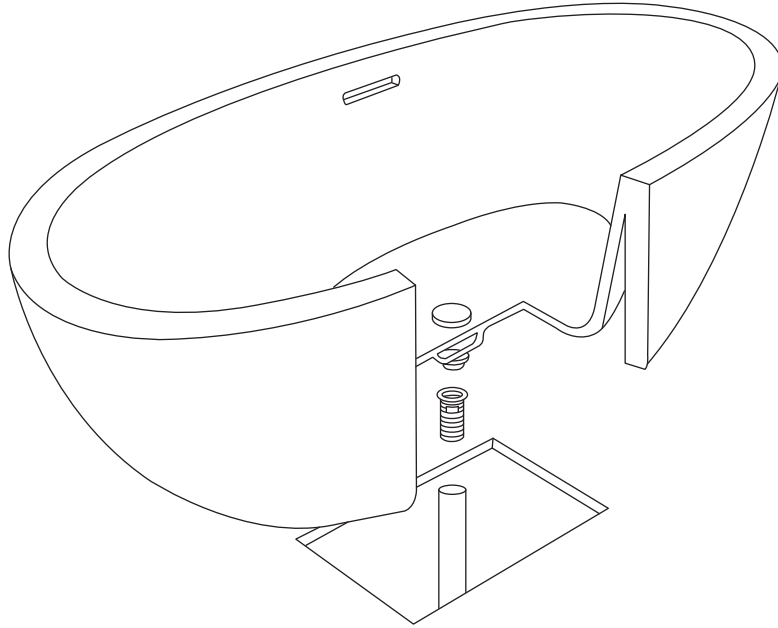
- 1 • Level the bathtub by adjusting its feet.



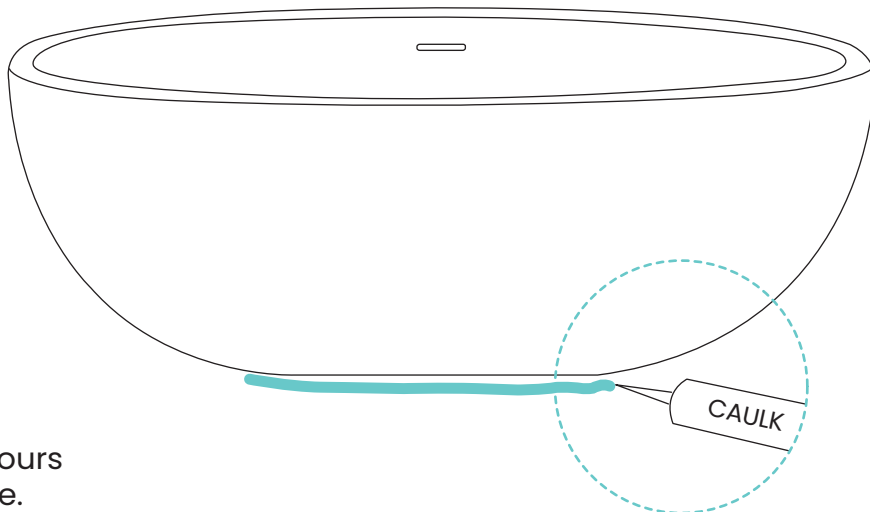
- 2 • Apply a generous bead of adhesive or silicone to the bottom of the tub supports.  
• Then apply a bead of tub and tile caulk around the edge of the base.



- 3** • Carefully set tub into position and connect the drain hardware (previously installed). Finish the installation of the tail piece installation.



- 4** • Run a bead of a tub and tile caulk around the bottom edge of the bathtub where it meets the floor. Wipe off any excess caulk with a wet cloth. Wait 24 hours for the caulk to dry.



Wait 24 hours  
before use.

