

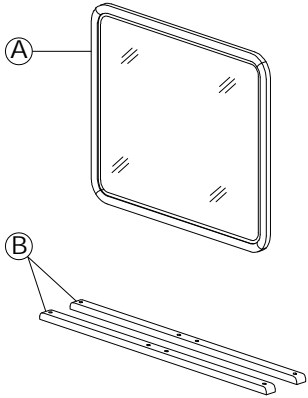
CAMDEN DRESSER MIRROR

ASSEMBLY INSTRUCTIONS

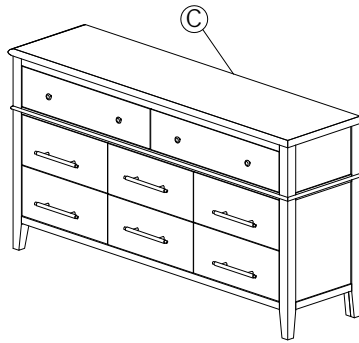


PARTS PACKING CONFIGURATIONS

BOX #1:
 A. DRESSER MIRROR 1 PC
 B. MIRROR SUPPORT 2 PCS
 *MIRROR HARDWARE PACK

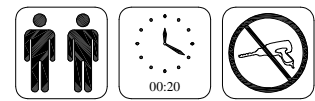


BOX #2:
 C. DRESSER 1 PC
 (SOLD SEPARATELY)



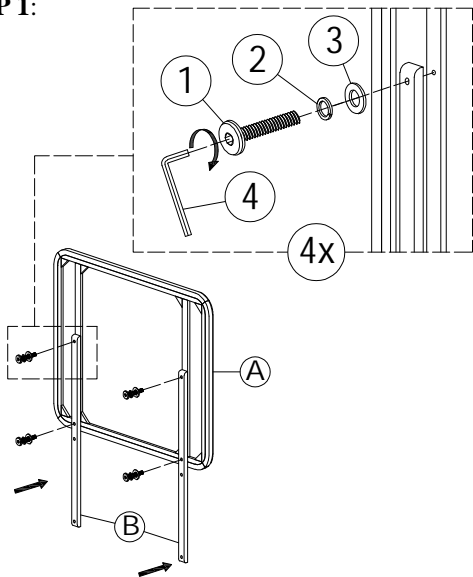
HARDWARE KIT PACKED IN BOX #1

No.	Description	Image	Quantity
1	ALLEN BOLT (8x40mm)		8 PCS
2	SPRING WASHER (M9)		8 PCS
3	FLAT WASHER (M9)		8 PCS
4	ALLEN KEY (4mm)		1 PC

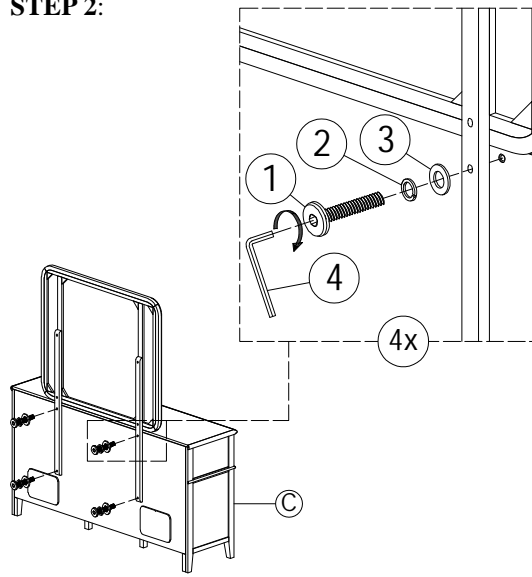


OPTION 1: DRESSER MOUNTING

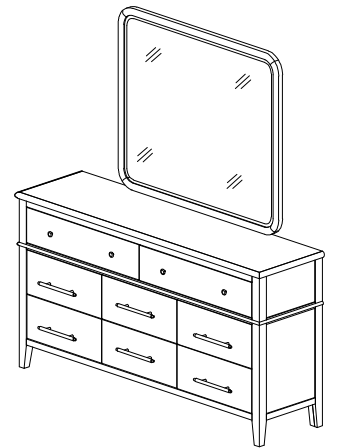
STEP 1:



STEP 2:



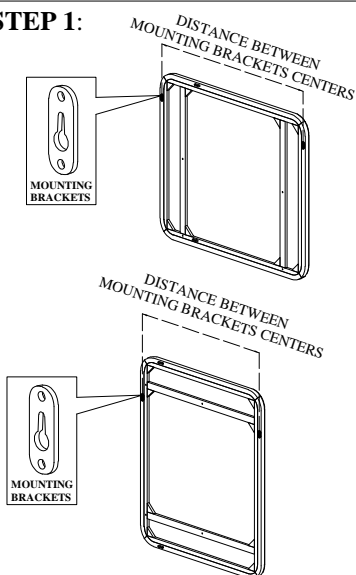
STEP 3:



ASSEMBLY COMPLETE

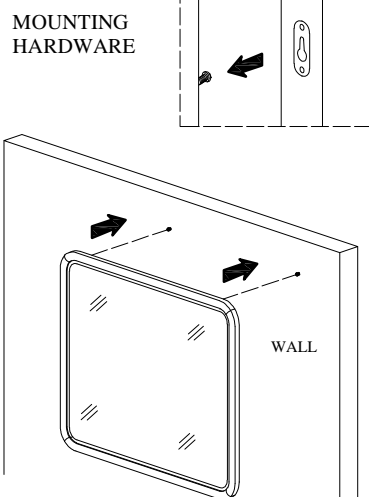
OPTION 2: WALL MOUNTING

STEP 1:



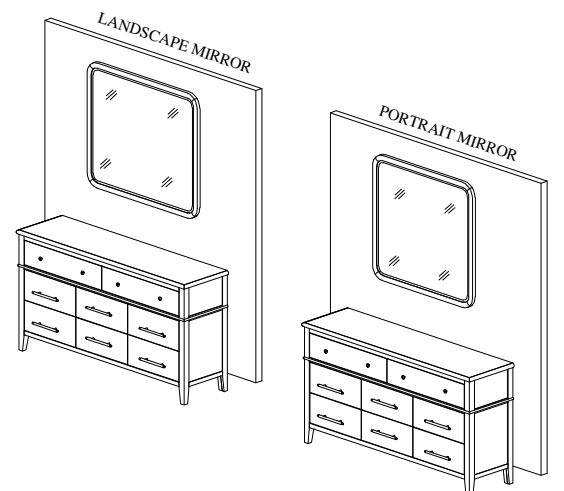
MIRROR BACK

STEP 2:



* WALL MOUNTING HARDWARE NOT INCLUDED.

STEP 3:



ASSEMBLY COMPLETE