

ODETTE

FR39216PNI

MEDIUM EIGHT LIGHT LINEAR

The luxurious composition of Odette's modern design forms a statement-making jewelry piece, certain to be the center of attention. The emerald-cut, solid crystal panels add breathtaking sparkle and light refraction unlike any other.

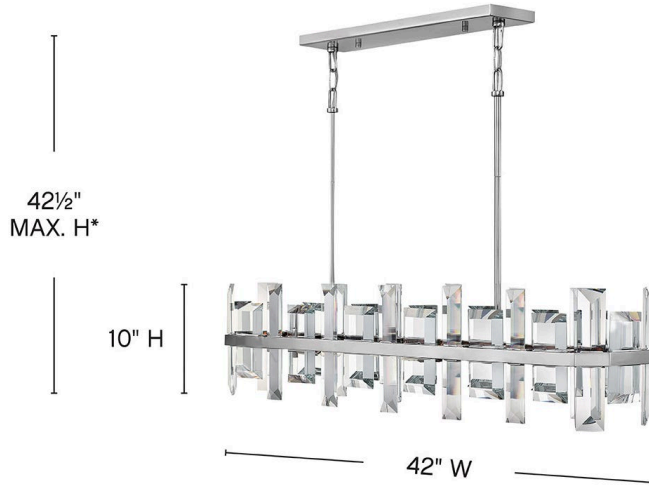
DETAILS	
FINISH:	Polished Nickel
MATERIAL:	Steel
SLOPE DEGREE:	90
DIMMABLE:	YES - WITH DIMMABLE LAMP (NOT INCLUDED)

DIMENSIONS	
WIDTH:	42"
HEIGHT:	10"
DEPTH:	8.3
WEIGHT:	36.3lb

LIGHT SOURCE	
LIGHT SOURCE:	Socketed
WATTAGE:	8-5w Cand. LED, 60w Equiv.
VOLTAGE:	120v

MOUNTING	
CANOPY:	4.75"W X 19.5"L
LEAD WIRE:	1 X 120"
MAX HEIGHT:	42.5

SHIPPING	
CARTON LENGTH:	45.7
CARTON WIDTH:	10.6
CARTON HEIGHT:	12.2
CARTON WEIGHT:	39.2



*Maximum achievable height with stems included.



PRODUCT DETAILS:

- Can be hung on a sloped ceiling
- Includes (2) 6" stems and (4) 12" stems to customize hanging height
- Dry Rated
- Striking and glamorous silhouette with luxe details and a rich finish that makes a dramatic statement

HINKLEY

HINKLEY
33000 Pin Oak Parkway
Avon Lake, OH 44012

PHONE: (440) 653-5500
Toll Free: 1 (800) 446-5539

hinkley.com