



Stargaze®
72" x 36-1/4" freestanding bath with Bask® heated
surface and fluted shroud
K-6367-W1

Features

- Bask® heated surface creates spa-like relaxation with soothing warmth on your back, shoulders, and neck
- Three heat settings allow you to customize the surface temperature
- Freestanding design creates a striking focal point in your bathing area
- 16" (406 mm) depth offers a deep soaking experience
- Integral lumbar support on both ends
- Textured bottom surface
- Wide deck along one side simplifies installation and provides support for getting in and out of bath
- Fluted shroud

Material

- Acrylic

Installation

- Center drain
- Freestanding

Required Products/Accessories

For freestanding installation
K-7265 Brass toe tap bath drain

Recommended Products/Accessories

K-23726 Drain treatment



Codes/Standards

CSA B45.5/IAPMO Z124
ASTM E162
ASTM E662
UL 1795
CSA C22.2 No. 218.2
cUL Listed
UL Listed

**KOHLER® Plastic Baths and Shower
Bases Lifetime Limited Warranty**

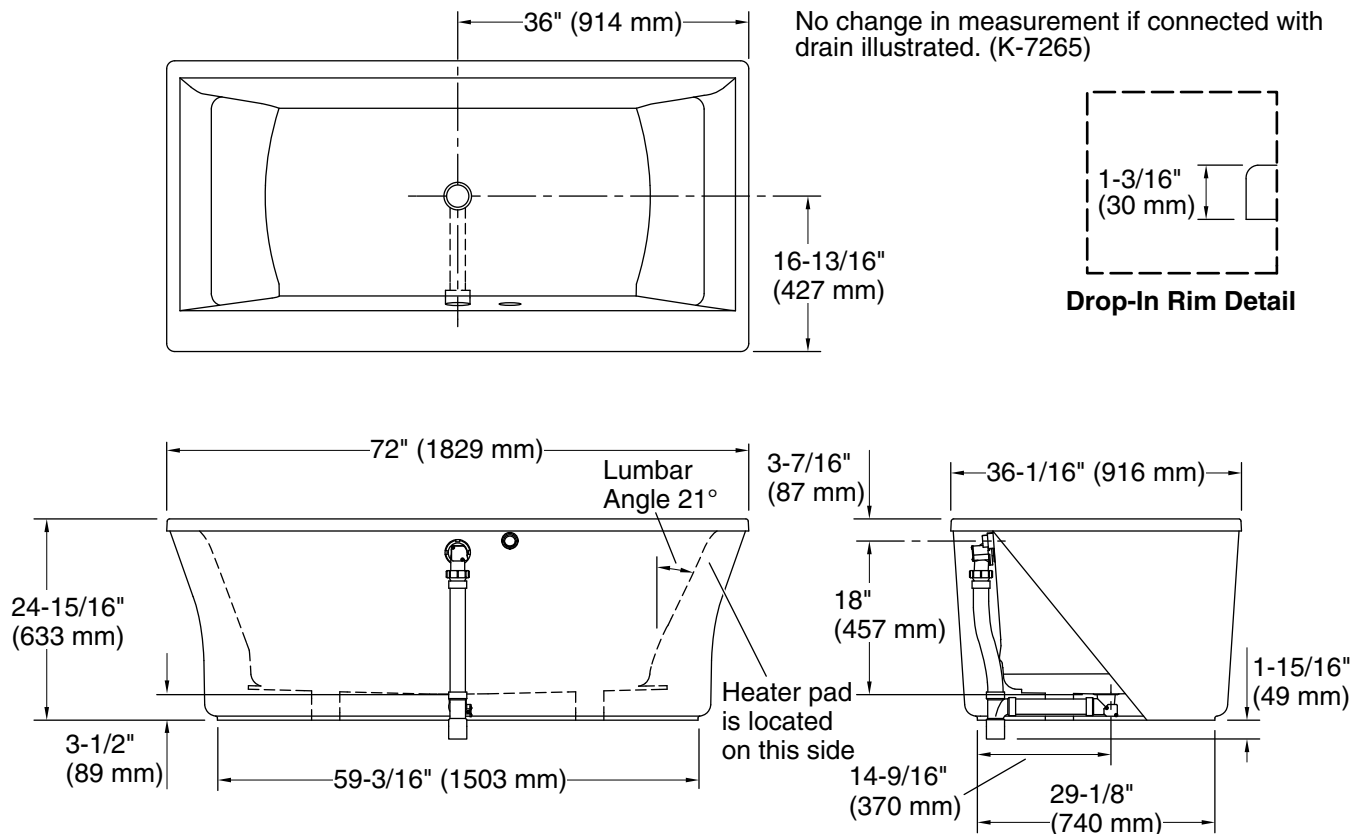
See website for detailed warranty information.

Available Colors/Finishes

Color tiles intended for reference only.

Color Code Description

■ 0 White



Required Electrical Service

One circuit required, protected with Class A Ground-Fault Circuit-Interrupter (GFCI). Outside North America, this device may be known as a Residual Current Device (RCD).

Heated Surface: 120 V, 15 A, 60 Hz

Technical Information

All product dimensions are nominal.

Drain location: Center

Weight: 91 lbs (41.3 kg)

Minimum floor load: 45 lbs/ft² (219.7 kg/m²)

Water depth: 15-11/16" (398 mm)

Water capacity: 72 gal (272.5 L)

Template: Footprint, 1245665, not required, not included

Electrical component rating: Heated Surface: 120 V, 1.1 A, 50/60 Hz, 65 W

Notes

Measure your actual product for rough-in details.

Install this product according to the installation instructions.

The hot water supply should be 70% of the capacity of the bath or greater. Installations will vary.

If installing a rim-mount faucet, make sure there is no interference above or below the deck before drilling any holes.