

Outer line size: 612\*535mm

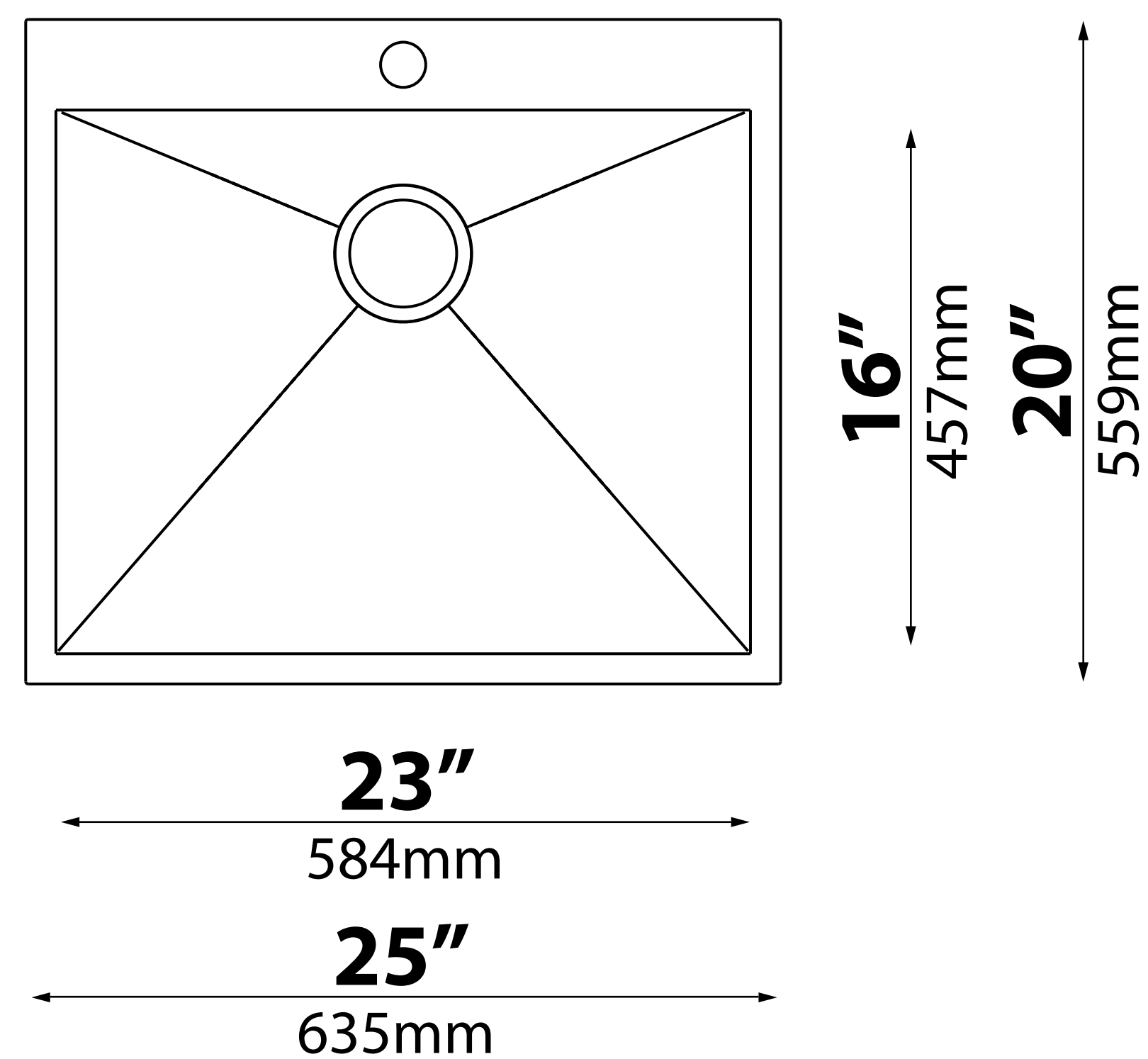
# Kräus<sup>®</sup>

www.kraususa.com

**Model No.**  
**KP1TS25S-1**

**Topmount Cut-out**

Pro Hotline: 516.801.8955  
Customer Service: 800.775.0703



**NOTE:** Cutout template is provided as a guide **ONLY** and must be checked against actual sink to verify correct fit.