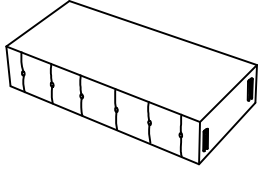


ASSEMBLY INSTRUCTION

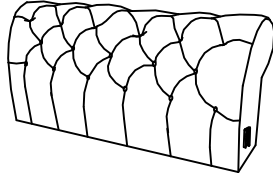
TUFTED LOVESEAT IN BEIGE LINEN

A Seat Frame



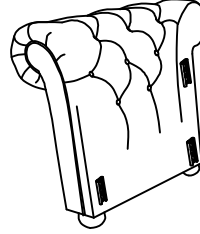
1pc

B Back Frame



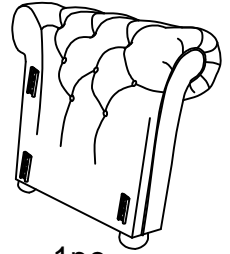
1pc

C Left Panel



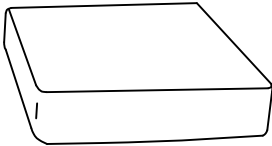
1pc

D Right Panel

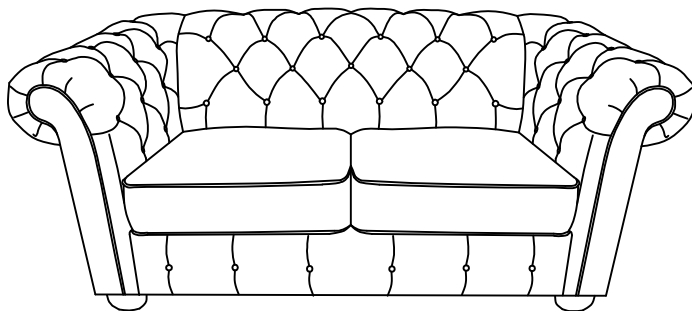


1pc

E Seat Cushion

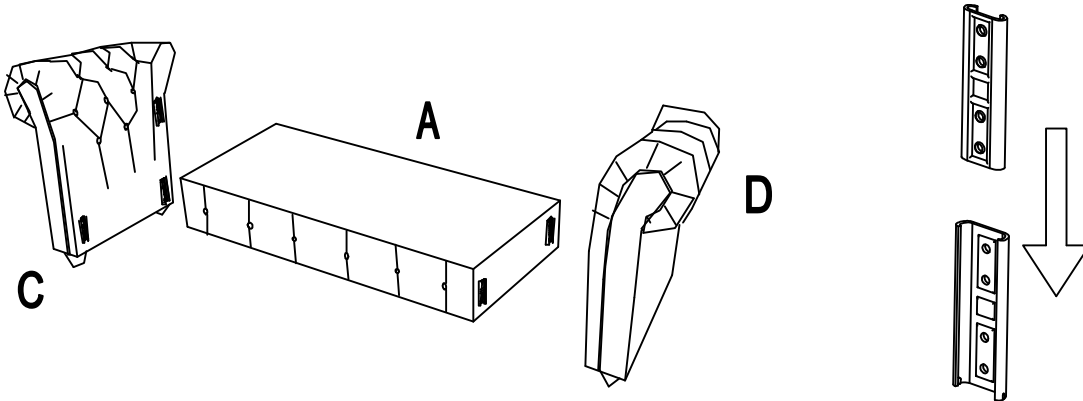


2pcs

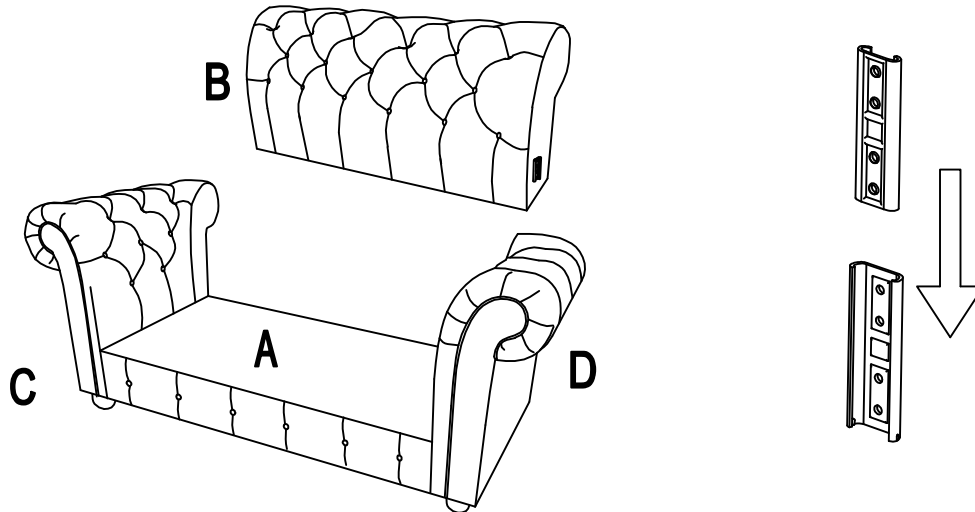


This page lists all the contents included in the box. As you unpack and prepare for assembly, place the contents on a carpeted or padded area to protect them from damage.

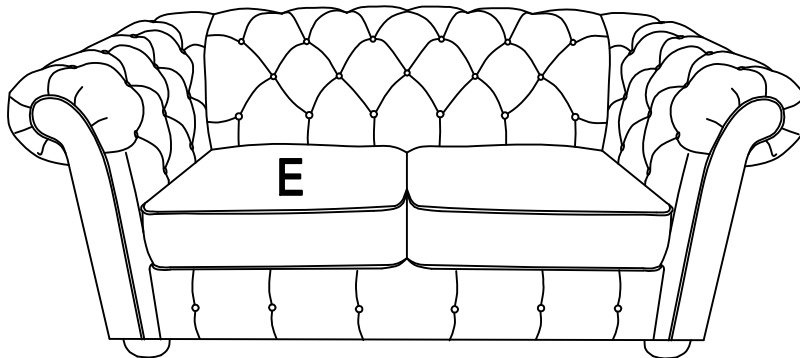
1 Hook on the Left Panel (C) & Right Panel (D) to Seat Frame (A) properly.



2 Hook on the Back Frame (B) to Left Panel (C) & Right Panel (D) properly.



3 Place Seat Cushion (E) on the chair properly. The assembly is complete.



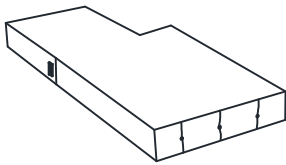
Cleaning & Care

Treat surface with care. Surface is resistant to scratches but is not scratch resistant. Clean surfaces with a dry or damp soft cloth. Do not use abrasive cleaners.

ASSEMBLY INSTRUCTION

E208CH-1R RIGHT CHAISE SEAT & BACK FRAME E208CH-2 CUSHION

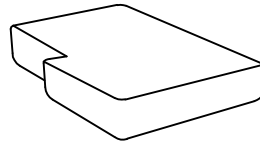
A Seat Frame **B** Back Frame **C** Cushion **D** Wooden Leg



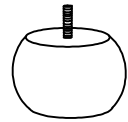
1pc



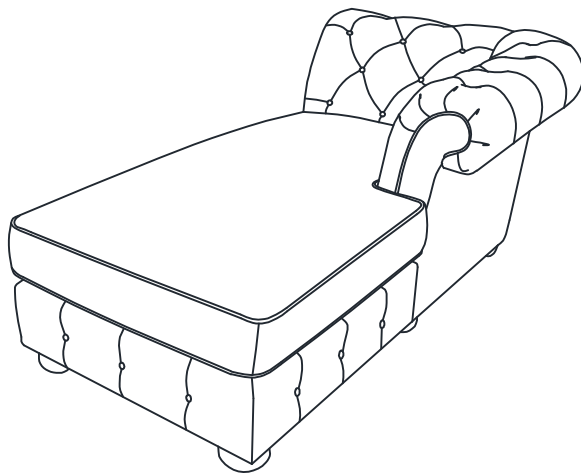
1pc



1pc



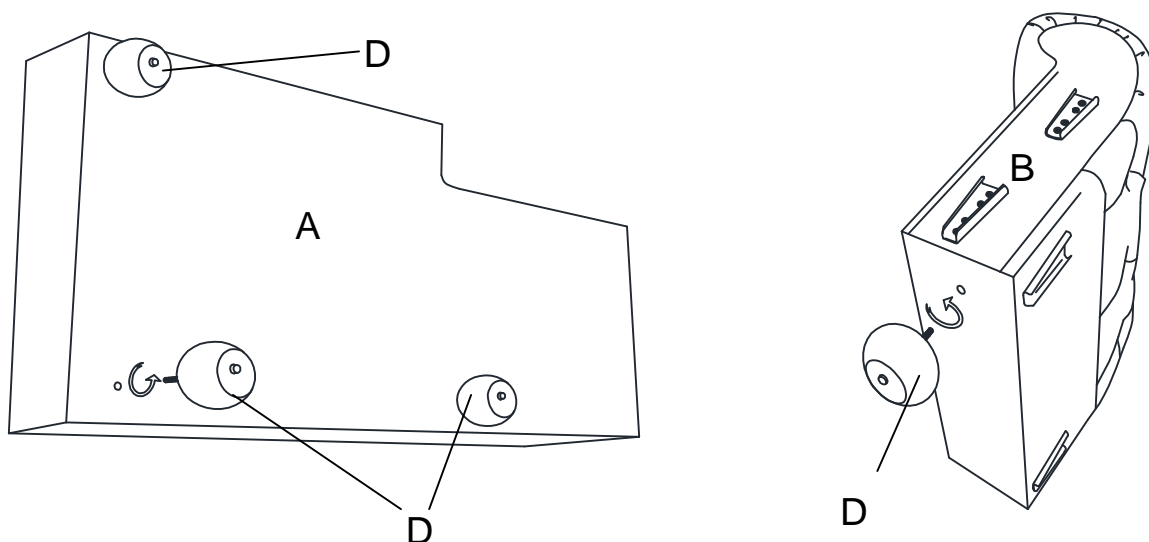
4pcs



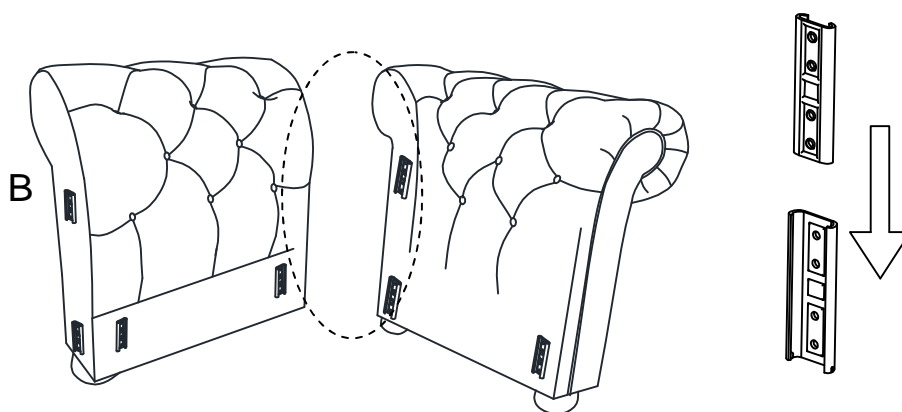
This page lists all the contents included in the box. As you unpack and prepare for assembly, place the contents on a carpeted or padded area to protect them from damage.

1

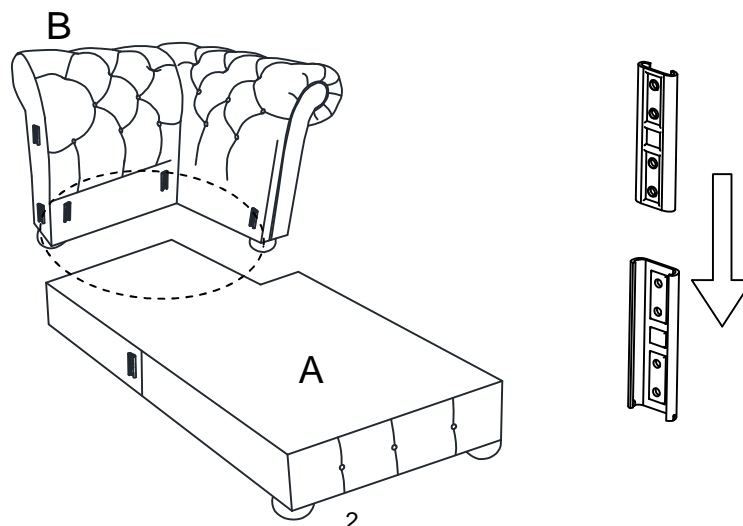
Assembly Wooden Legs (D) to Seat Frame (A) and Back Frame (B).

**2**

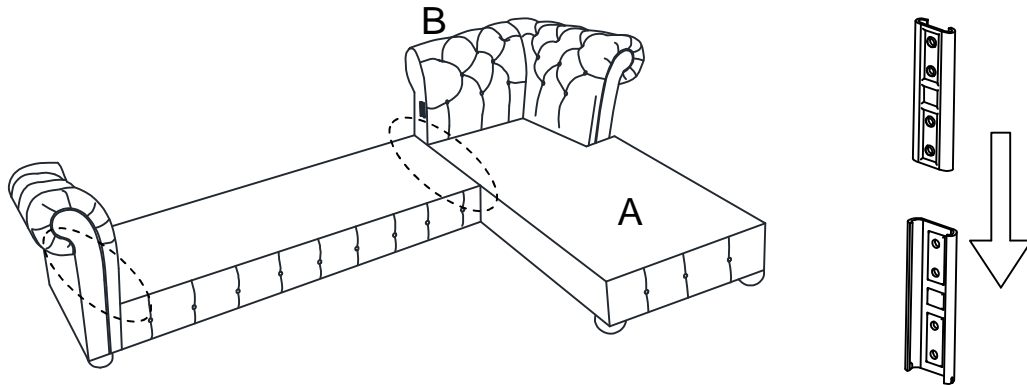
Hook on Back Frame (B) to Right Arm panel. (Right Arm is not in the Chaise carton)

**3**

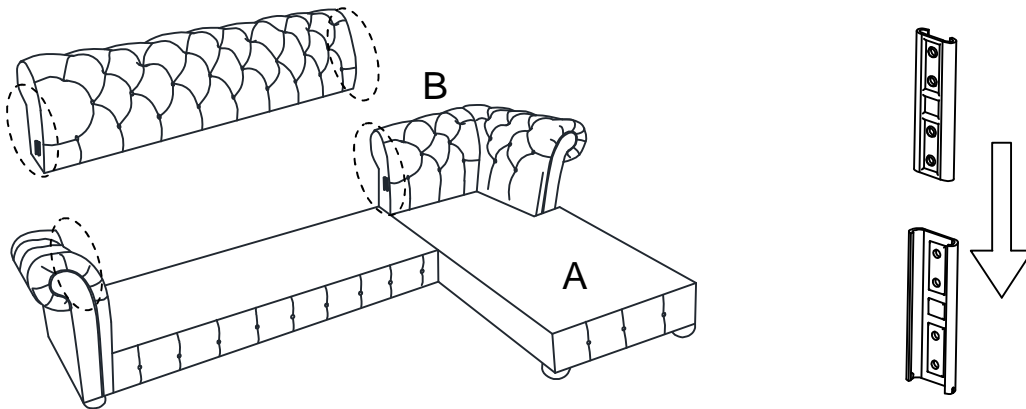
Hook on Seat Frame (A) to Back Frame (B) and Arm properly.



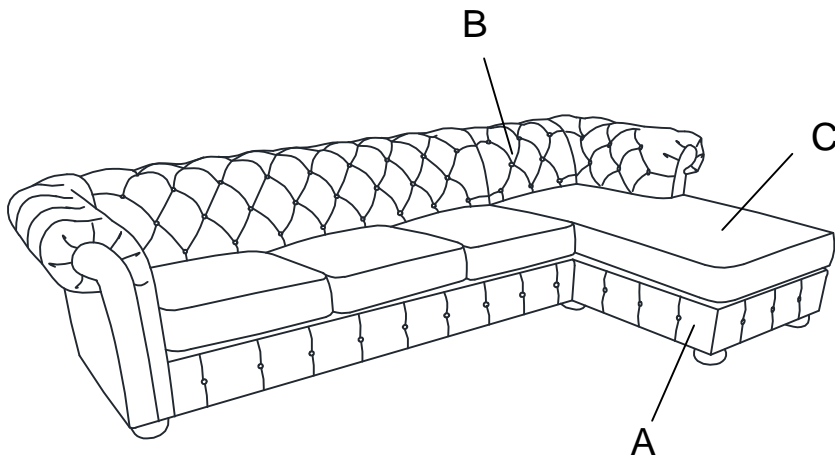
-
- 4** Hook on Seat Frame of Chair, Love Seat or Sofa to Seat Frame (A) properly. (Seat Frame of Chair, Love Seat or Sofa are not in the Chaise carton)



-
- 5** Put the Back Frame of Chair, Love Seat or Sofa on their Seat Frame. (Back Frame of Chair, Love Seat or Sofa are not in the Chaise carton)



-
- 6** Put the Cushion (C) on the Seat Frame (A) same as Chair, Love Seat or Sofa. The assembly is completed.



Cleaning & Care

Treat surface with care. Surface is resistant to scratches but is not scratch resistant. Clean surfaces with a dry or damp soft cloth. Do not use abrasive cleaners.

ASSEMBLY INSTRUCTION

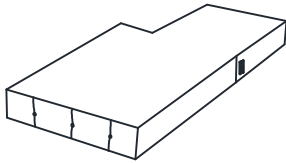
LEFT CHAISE SEAT & BACK FRAME CUSHION

A Seat Frame

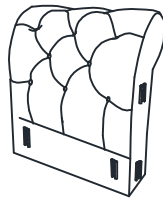
B Back Frame

C Cushion

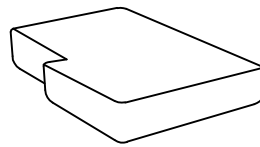
D Wooden Leg



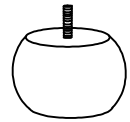
1pc



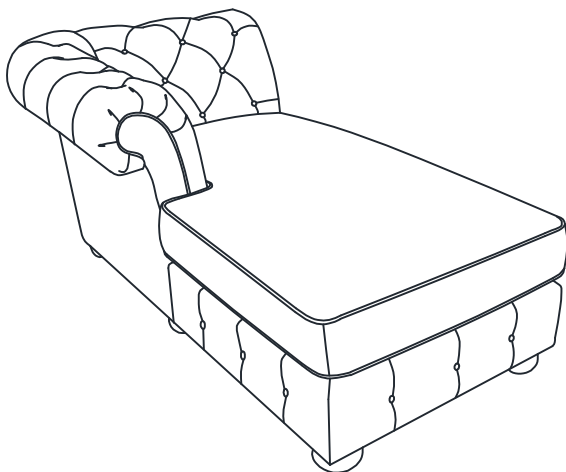
1pc



1pc



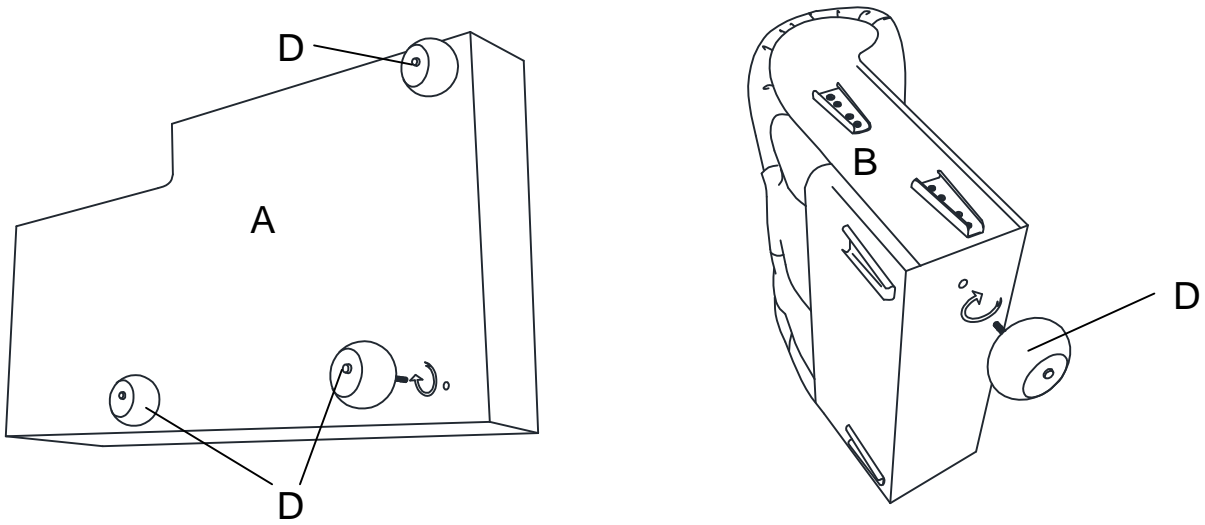
4pcs



This page lists all the contents included in the box. As you unpack and prepare for assembly, place the contents on a carpeted or padded area to protect them from damage.

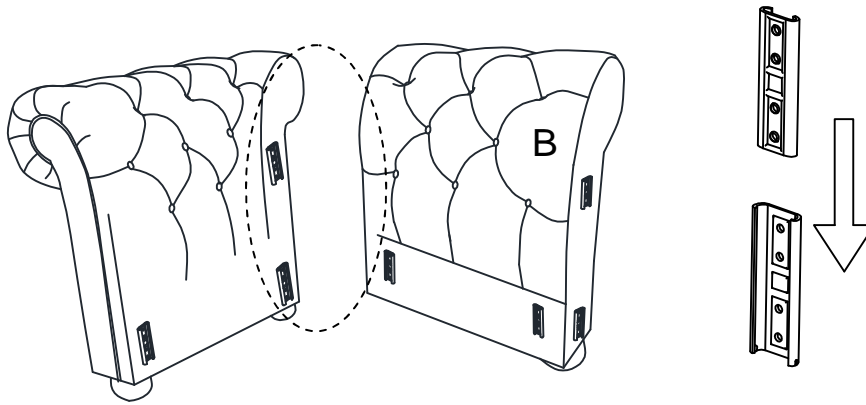
1

Assembly Wooden Legs (D) to Seat Frame (A) and Back Frame (B).



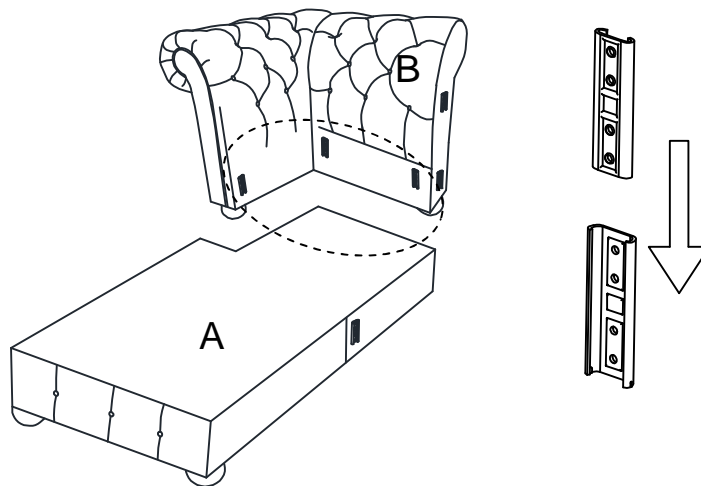
2

Hook on Back Frame (B) to Left Arm panel. (Left Arm is not in the Chaise carton)

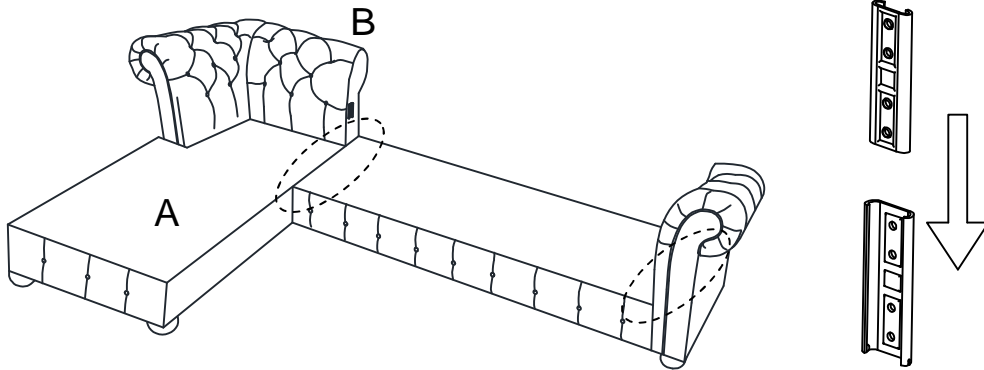


3

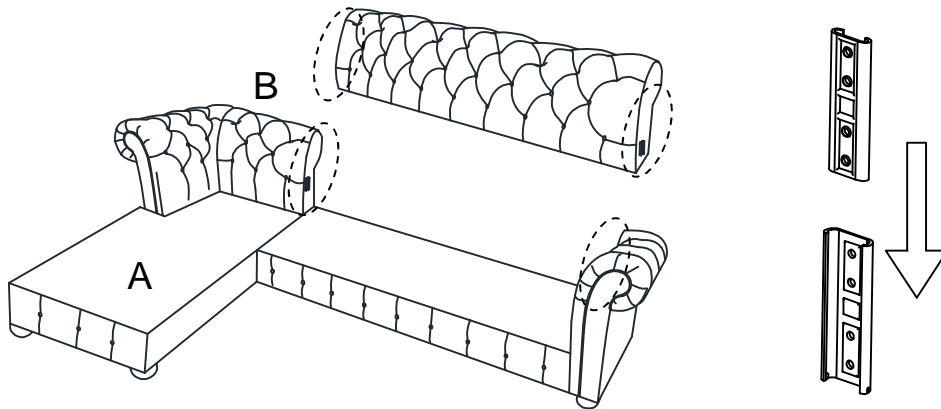
Hook on Seat Frame (A) to Back Frame (B) and Arm properly.



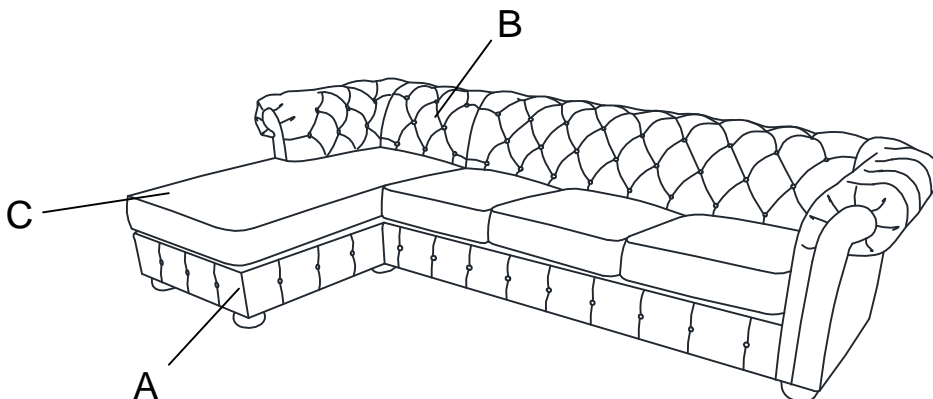
-
- 4** Hook on Seat Frame of Chair, Love Seat or Sofa to Seat Frame (A) properly. (Seat Frame of Chair, Love Seat or Sofa are not in the Chaise carton)



-
- 5** Put the Back Frame of Chair, Love Seat or Sofa on their Seat Frame. (Back Frame of Chair, Love Seat or Sofa are not in the Chaise carton)



-
- 6** Put the Cushion (C) on the Seat Frame (A) same as Chair, Love Seat or Sofa. The assembly is completed.



Cleaning & Care

Treat surface with care. Surface is resistant to scratches but is not scratch resistant. Clean surfaces with a dry or damp soft cloth. Do not use abrasive cleaners.