

Kräus®

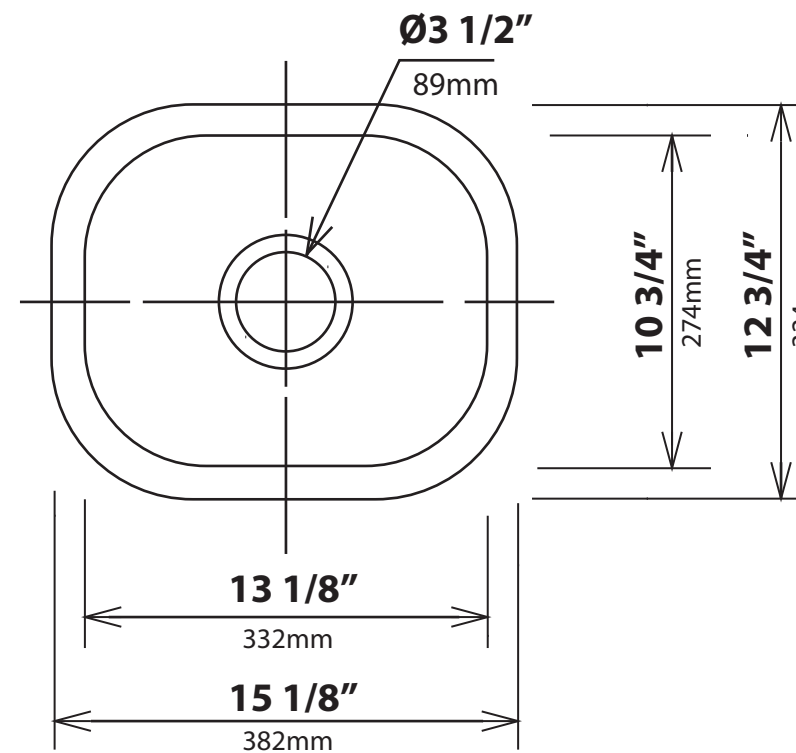
www.kraususa.com

Model No. KBU17

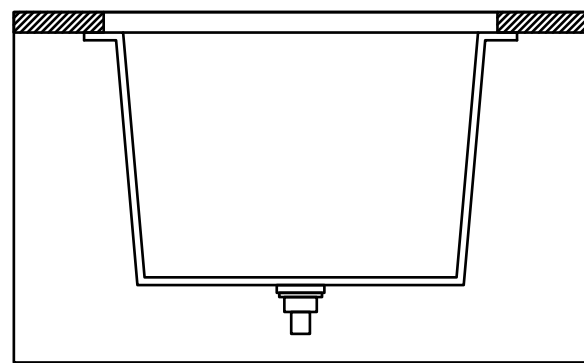
Undermount Template

Pro Hotline: 516.801.8955

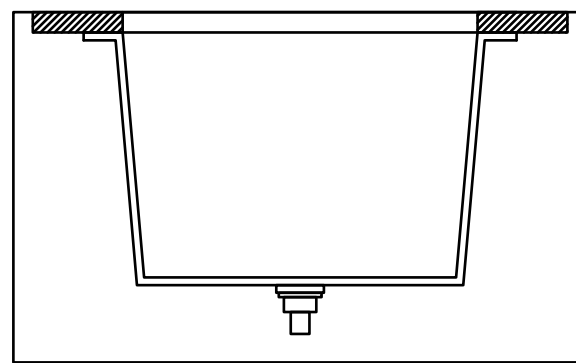
Customer Service: 800.775.0703



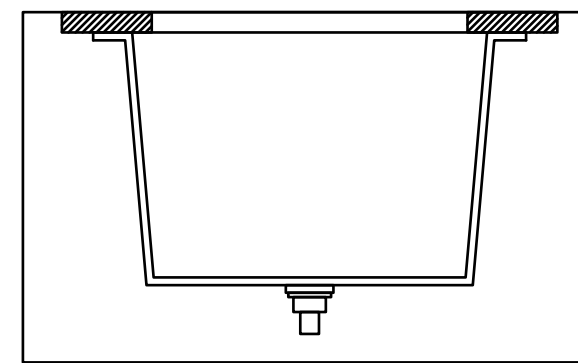
SPECIFICATION C: $\frac{3}{8}''$ POSITIVE REVEAL



SPECIFICATION A: ZERO / FLUSH REVEAL



SPECIFICATION B: $\frac{1}{8}''$ NEGATIVE REVEAL



NOTE: Cutout template is provided as a guide **ONLY** and must be checked against actual sink to verify correct fit.

- ← Please cut along inner solid line for negative reveal $\frac{1}{8}''$
- ← Please tear perforated edge for zero / flushed reveal
- ← Please use outer edge for positive reveal $\frac{3}{8}''$