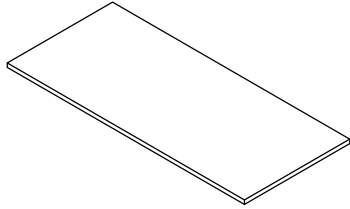


ASSEMBLY INSTRUCTION

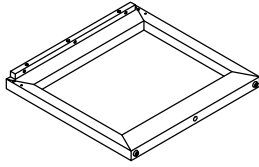
COFFEE TABLE

A Top Panel



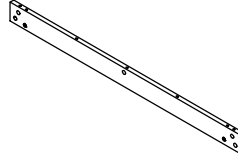
1pc

B Side Frame



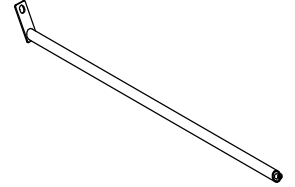
2pcs

C Side Panel



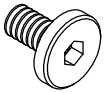
2pcs

D Cross Bar



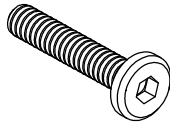
2pcs

E Bolt
Ø1/4"x1/2"



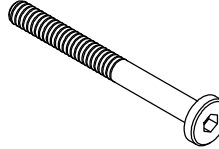
2pcs

F Bolt
Ø1/4"x1-1/4"



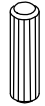
6pcs

G Bolt
Ø1/4"x2-3/4"



2pcs

H Wood Dowel



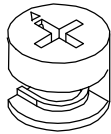
10pcs

I Cam Lock Screw



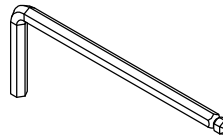
12pcs

J Cam Lock Nut



12pcs

K Allen Key
M4x110x30mm

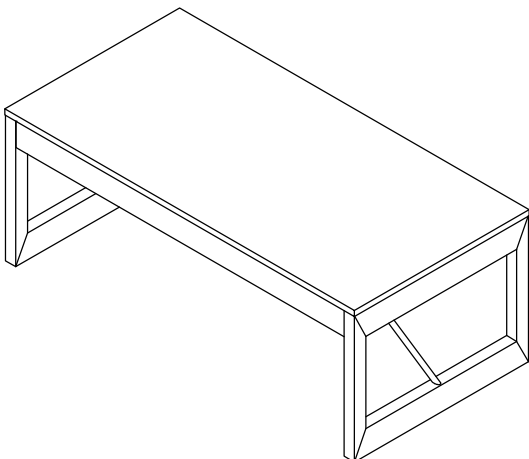


1pc

L Screwdriver
(Not Provided)

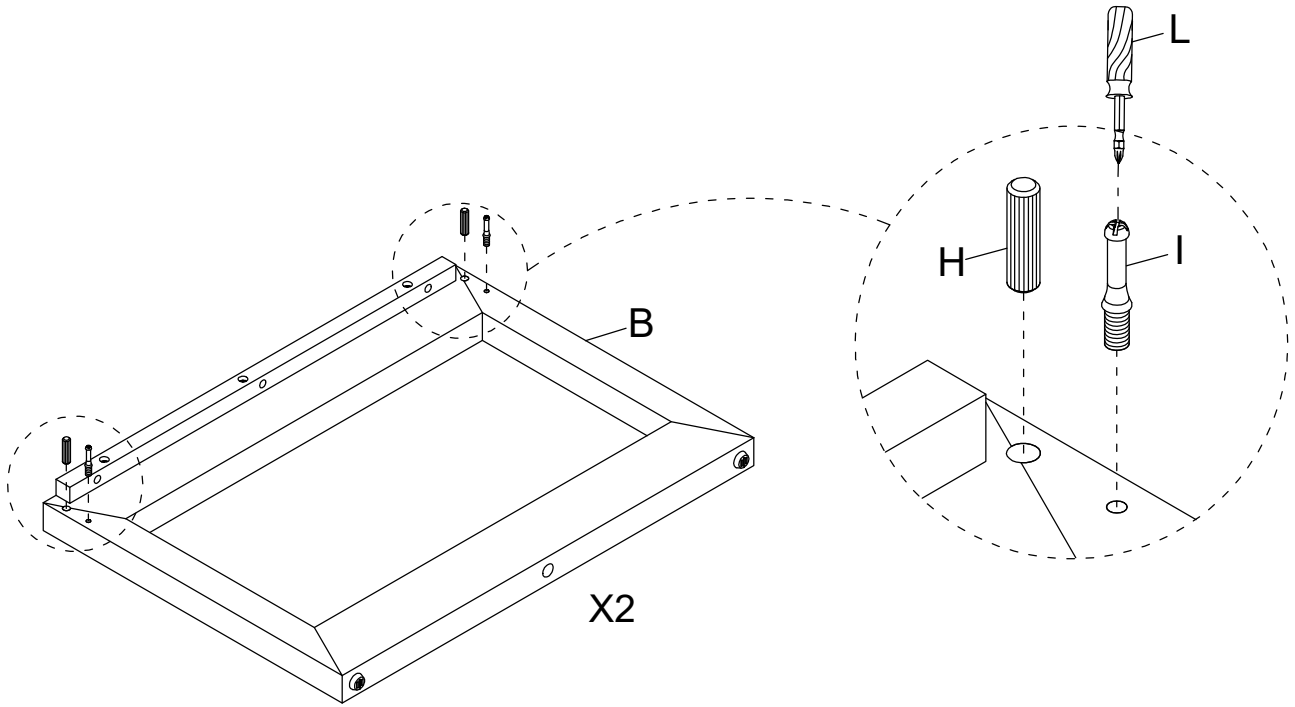


1pc

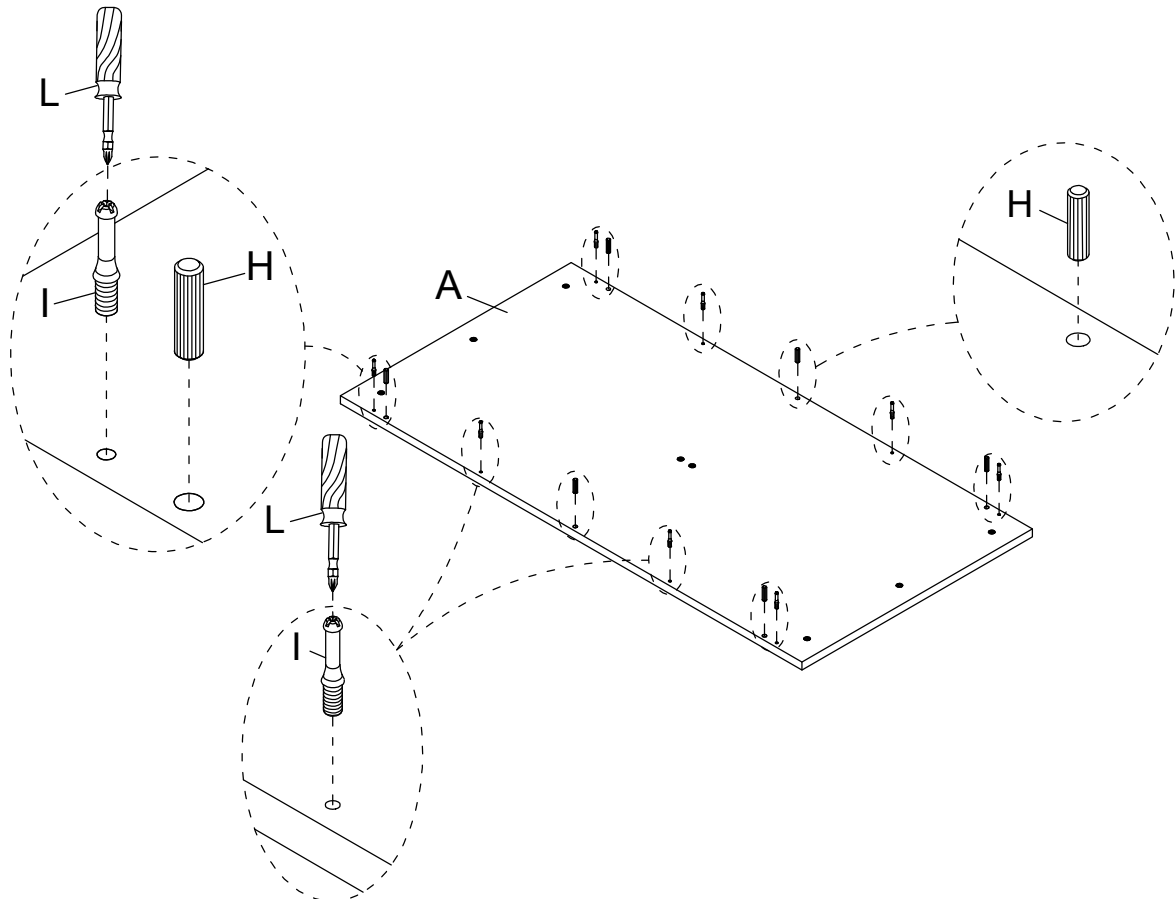


This page lists all the contents included in the box. Please take the time to identify the hardware as well as the individual components to this product. As you unpack and prepare for assembly, place the contents on a carpeted or padded area to protect them from damage.

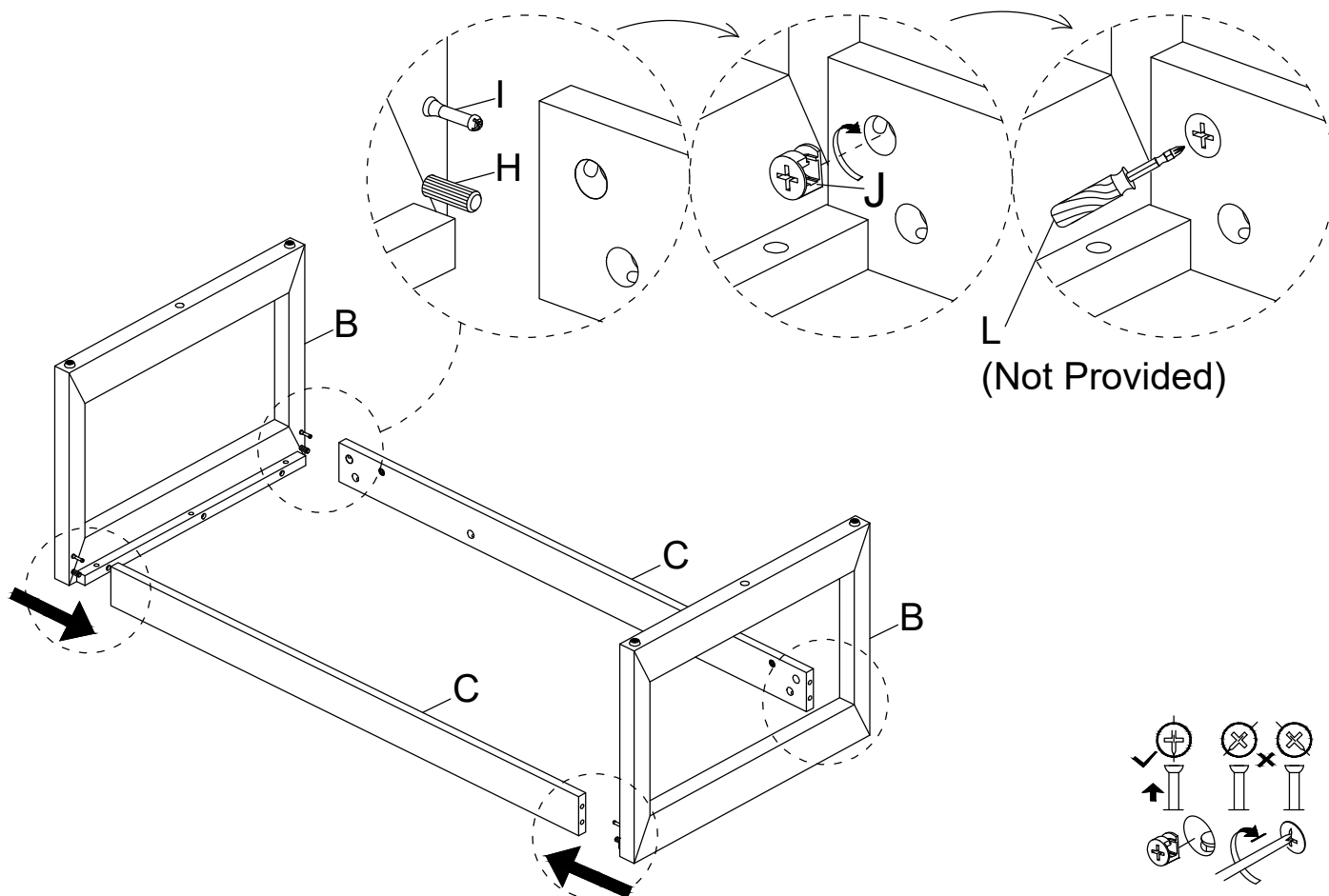
1 Insert the Wood Dowel (H) and Cam Lock Screw (I) to the Side Frame (B), then secure Cam Lock Screw (I) by Screwdriver (L).



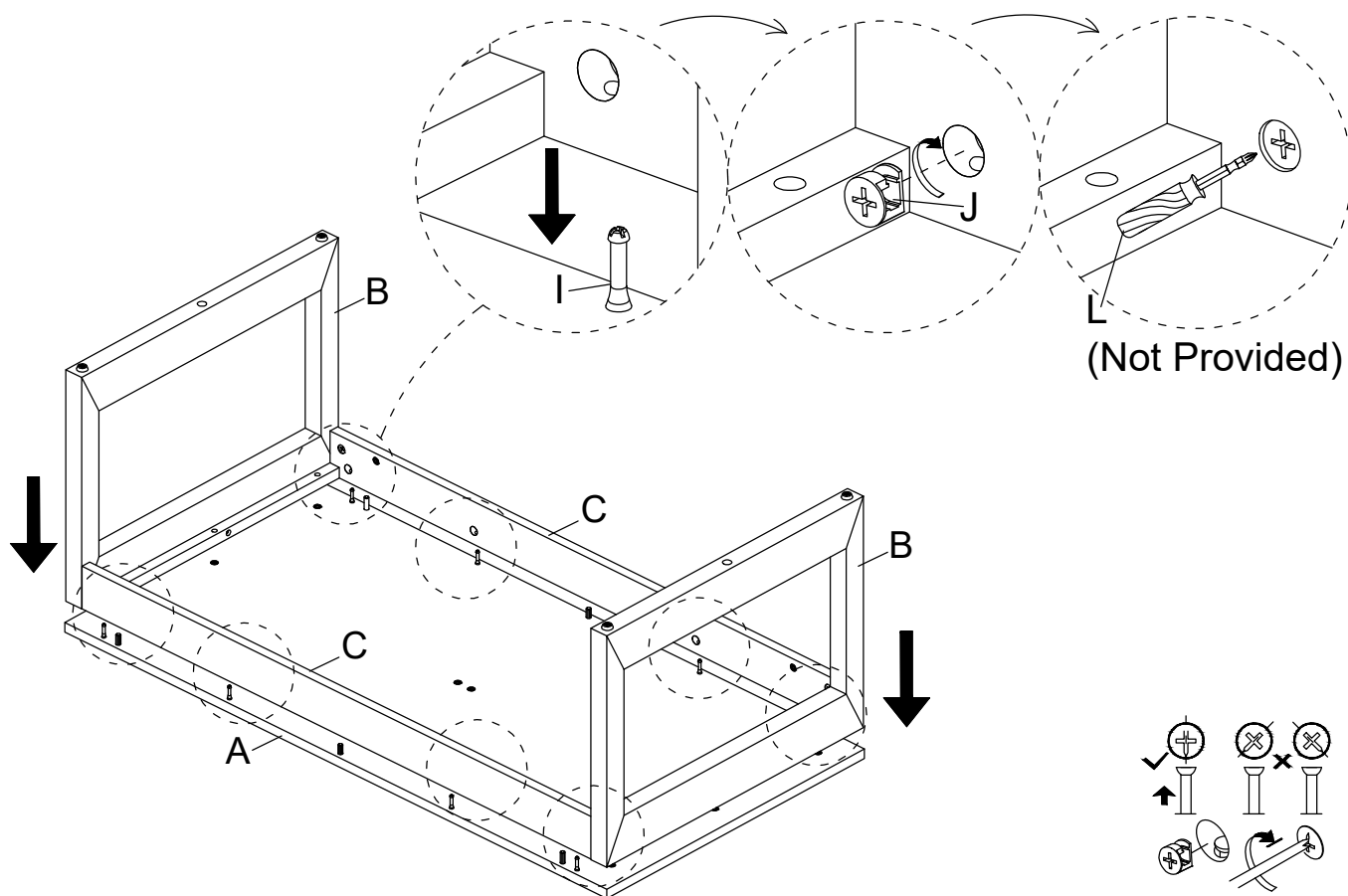
2 Insert the Wood Dowel (H) and Cam Lock Screw (I) to the Top Panel (A), then secure Cam Lock Screw (I) by Screwdriver (L).



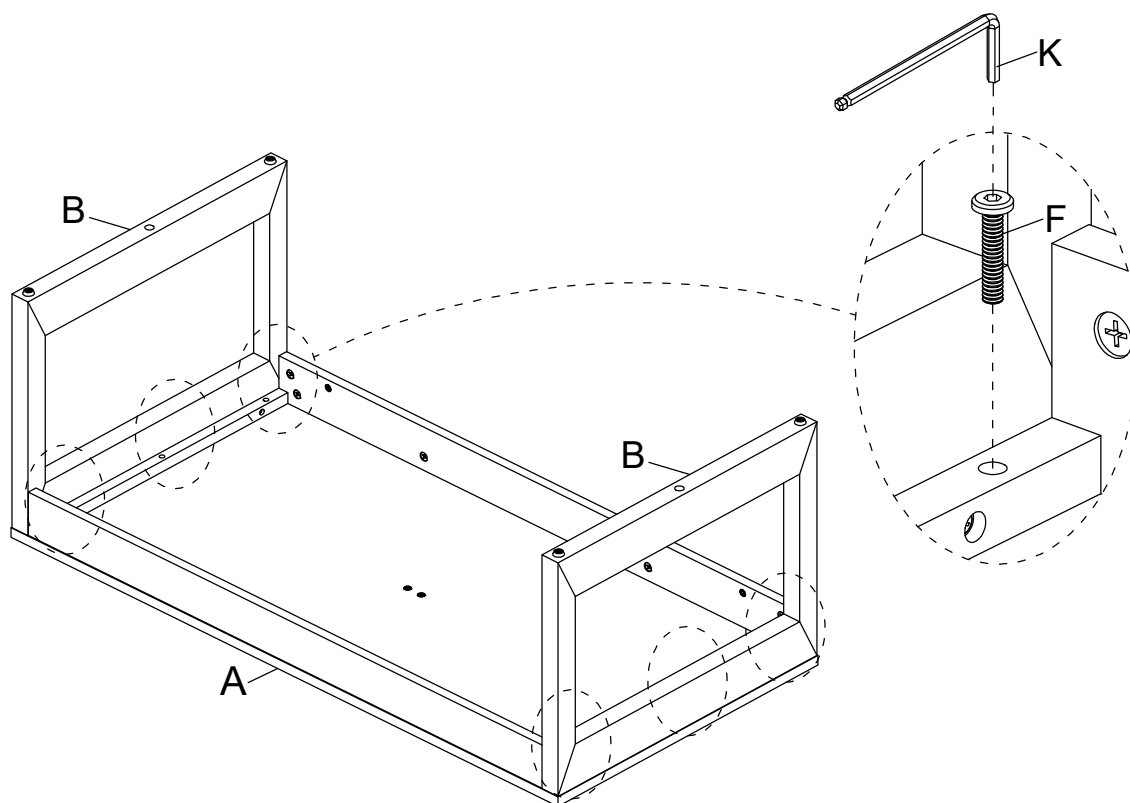
3 Attach both Side Frame (B) to Side Panel (C), then secure Cam Lock Screw (I) with Cam Lock Nut (J) by Screwdriver (L).



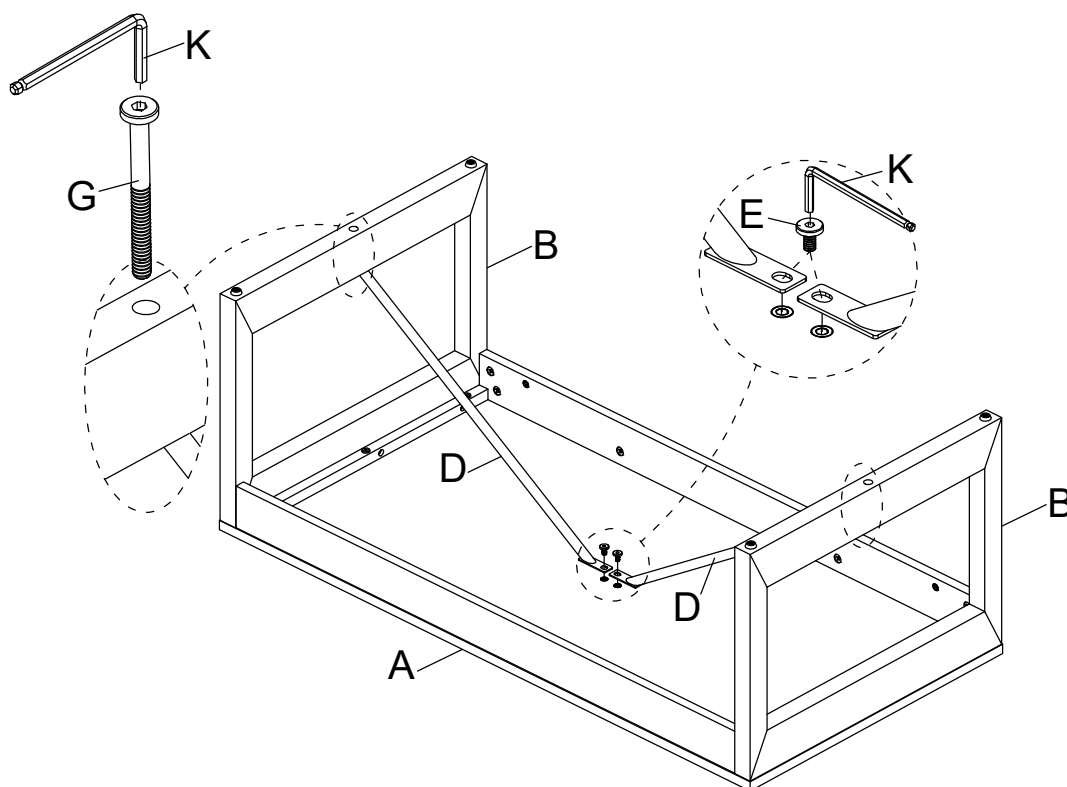
4 Attach the Side Panel (C) and Side Frame (B) to Top Panel (A), then secure Cam Lock Screw (I) with Cam Lock Nut (J) by Screwdriver (L).



- 5** Secure Side Frame (B) to Top Panel (A) using Bolt (F) by Allen Key (K) as below shown.



- 6** Attach Cross Bar (D) to Top Panel (A) and Side Frame (B) using Bolt (E) & Bolt (G) by Allen Key (K) as below shown.



Cleaning & Care

Treat surface with care. Surface is resistant to scratches but is not scratch resistant. Clean surfaces with a dry or damp soft cloth. Do not use abrasive cleaners. Hardware may loosen over time. Periodically check that all connections are tight.