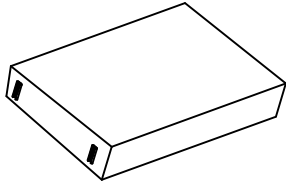


# ASSEMBLY INSTRUCTION

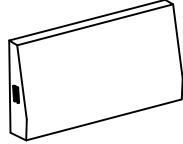
## LINEN LOVESEAT

**A** Seat Frame



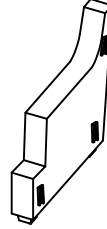
1pc

**B** Back Frame



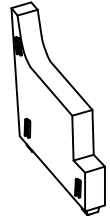
1pc

**C** Left Panel



1pc

**D** Right Panel



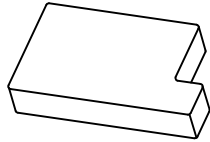
1pc

**E** Left Seat Cushion



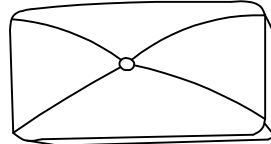
1pc

**F** Right Seat Cushion

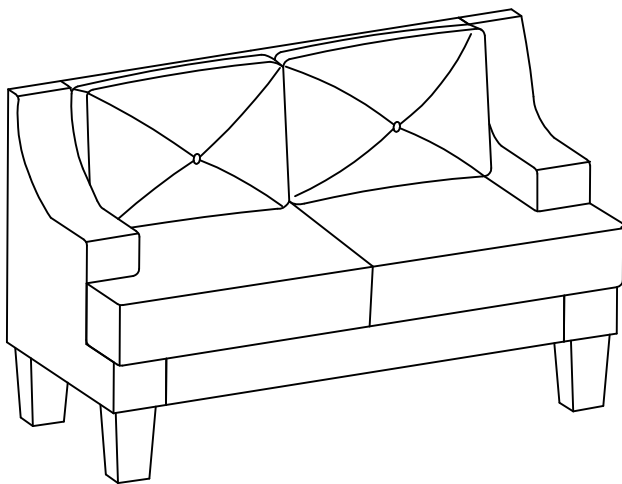


1pc

**G** Back Cushion

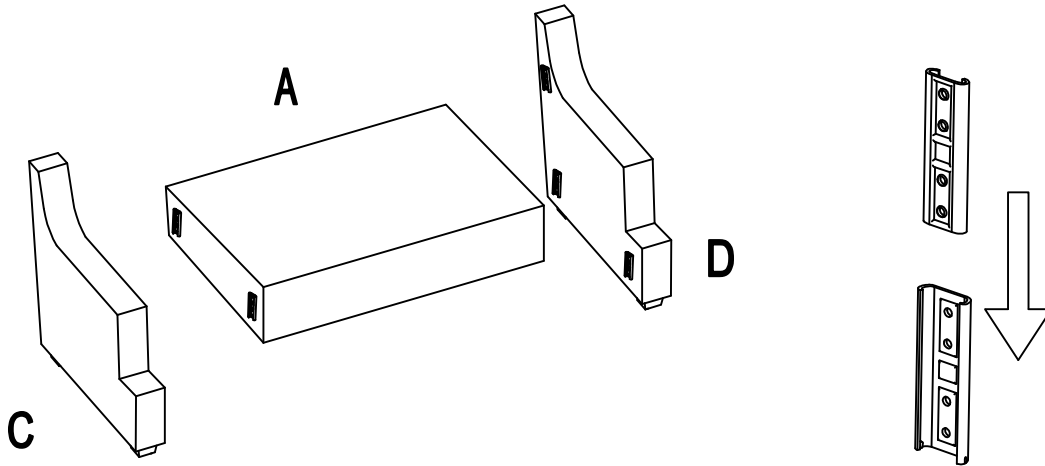


2pcs

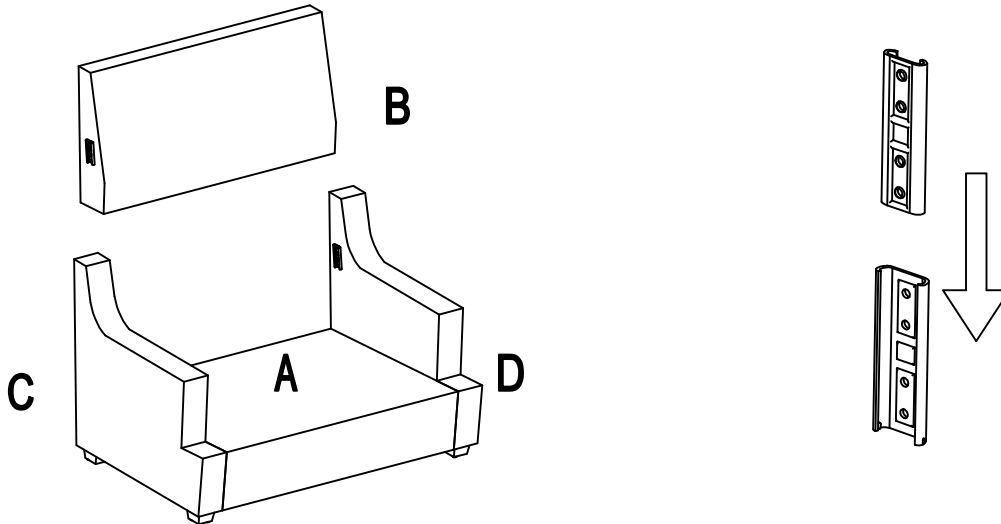


This page lists all the contents included in the box. As you unpack and prepare for assembly, place the contents on a carpeted or padded area to protect them from damage.

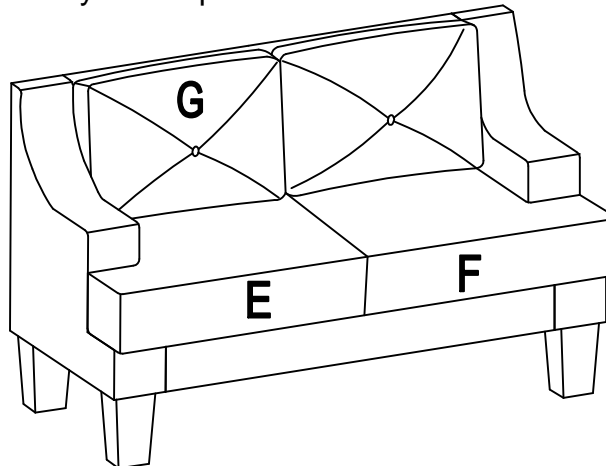
**1** Hook on the Left Panel (C) & Right Panel (D) to Seat Frame (A) properly.



**2** Hook on the Back Frame (B) to Left Panel (C) & Right Panel (D) properly.



**3** Place Left Seat Cushion (E), Right Seat Cushion (F) and Back Cushion (G) on the chair properly. The assembly is complete.



### Cleaning & Care

Treat surface with care. Surface is resistant to scratches but is not scratch resistant. Clean surfaces with a dry or damp soft cloth. Do not use abrasive cleaners.