

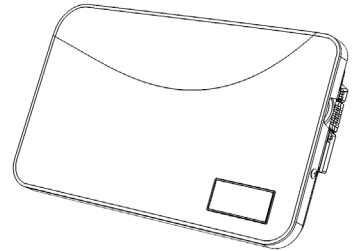


Scan QR for most up to date manual, features, and compatibility

BAT-Connect is a device that connects to security panels and provides interactive services, home automation, and the ability to update the user interface.

Features

- Three network connectivity paths: cellular, ethernet, and Wi-Fi
- Provides interactive services, home automation, and the ability to update the user interface on existing panels without panel replacement
- Full interactive support of Honeywell® Vista™, DSC® Power Series™, and Interlogix™ NX panels
- Telco event capture and reporting on most legacy panels using phone line emulation
- Keyswitch arming for remote control of most legacy panels
- 2-way voice alarm verification for most legacy panels
- Optional remote control is available via the Alula app from the APP STORE™ or GOOGLE PLAY™
- Support for multiple partition alarm event reporting
- Virtual keypad support for Honeywell, DSC and Interlogix NX
- Support for native panel downloader using uDownloader



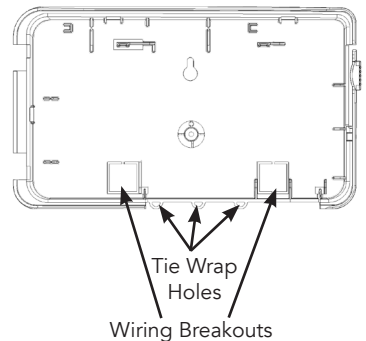
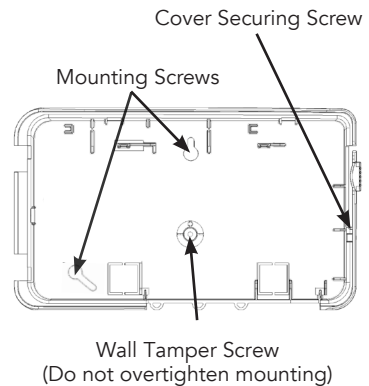
Installation Overview

1. Set up an account in the AlulaConnect portal.
2. Program the panel to use the BAT-Connect. (Refer to the programming section for your panel.)
3. Mount the BAT-Connect to a wall using the mounting holes on the back plate.
4. Wire the panel to the BAT-Connect. (Refer to the wiring diagram section for your panel.)

- Maximum cable length to the panel:
 - 18 gauge wire = 350 feet
 - 22 gauge wire = 130 feet
 - 24 gauge wire = 75 feet

5. Set up the network communication path.

Note: if 2-way voice will be used, the network communication path must be ethernet or Wi-Fi. Cellular can be used as back-up; however, does not support 2-way voice.



Connecting via ethernet:

Plug in cable and ensure ethernet LED is on.

Connecting via cellular:

Verify cellular LED is on and verify signal strength. (See Operation Overview section for signal strength.) A minimum of two signal bar LEDs is recommended.

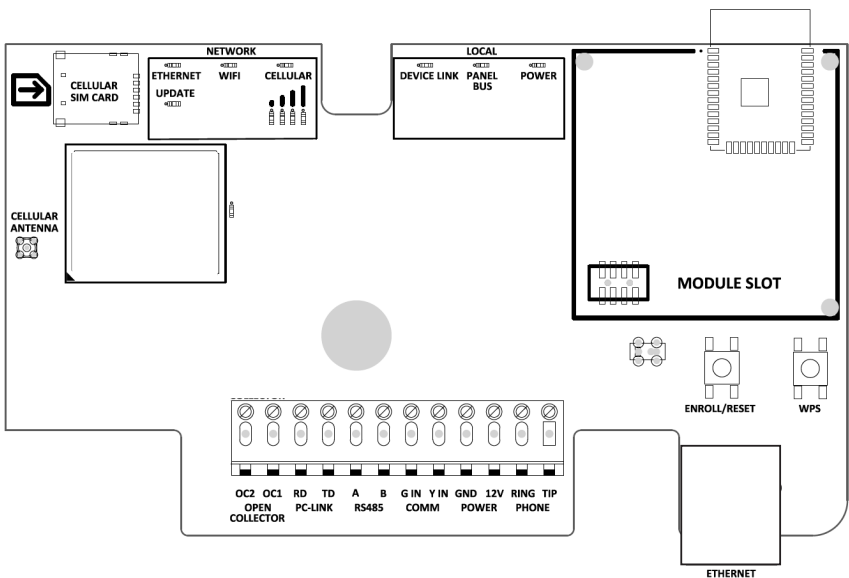
Connecting via Wi-Fi:

1. Enable WPS on router.
2. Press and hold WPS button until WiFi LED flashes on BAT-Connect.
3. Unplug the ethernet cable (if used). After approximately 1-2 minutes, the Wi-Fi LED will turn on. Wi-Fi network credentials are now saved in BAT-Connect.
4. If the Wi-Fi LED does not turn on after 2 minutes, then WPS was not successful. Repeat steps 1-3.
5. If WPS is unavailable, Wi-Fi credentials can alternately be entered in the AlulaConnect portal. For the Wi-Fi credentials to be pushed from AlulaConnect to the BAT-Connect, the BAT-Connect must be currently online.
6. Reconnect ethernet cable (if used).

6. Mount and enroll Touchpads if needed. (Refer to Touchpad install guide for additional information).

Note: it is recommended to keep one original keypad in the system.

7. Installation is complete. After installing BAT-Connect, or modifying any panel programming, verify proper operation and reporting of all event codes using your control panel's installation manual.



Honeywell Vista Programming

1. Set up an account in the AlulaConnect portal.
2. Add the MASTER CODE to the primary account user before connecting the BAT-Connect. This is required for the BAT-Connect to be able to properly configure the system settings.
3. Disarm the system (all partitions).
4. Enter panel programming mode using the installer code and program the following:

AUI 2:

- If the panel supports AUI, verify that AUI2 is enabled using field *189. AUI is not used for Vista 128.
- If the panel does not support AUI, then interactive control and status of the alarm panel must be done using a virtual keypad. See Keypad 8 configuration below.
- If another device is using AUI 2, that device must first be moved to a different AUI address. The other device should be moved to AUI 1 for Vista 15P and AUI 1, 3, or 4 for Vista 20P, Vista 211P, or Safewatch Pro.

Keypad 8:

- Verify that Keypad 8 is enabled for all partitions that are enabled in the alarm panel using field *196. For Vista 128, enable address 07 as an alpha keypad, with global option enabled if control of all partitions is required.

RIS:

- Vista panels that have a *91 field that supports RIS need to have RIS disabled. No action is required if RIS is not supported.

Keypad lockout:

- Vista 15P and 20P panel versions 10.21 and later have the keypad lockout feature enabled by default. It is recommended this feature be disabled to prevent possible keypad lockout conditions if the system master code in the BAT-Connect is not synchronized with the master code in the Vista panel.
- *188 to disable keypad lockout.
- If it is required to have the keypad lockout feature enabled, it is critical that the system master code be set up as a user for this account before connecting the module to the panel (see step 2 above). Also, all changes to the system master code must be done at AlulaConnect or with the Alula app, not at the Vista keypad. Failing to do this may result in a keypad lockout condition.

Event capture:

- Configure the panel for event reporting via IP/GSM or telco event capture using panel programming items *29 and *55. Vista 15P and 20P panels with firmware earlier than 4.0 and Vista 128 panels should always use telco event capture. Use programming items *56 and *57 for Vista 128.
- Telco event capture is required if 2-way voice will be used for alarm verification.
- IP/GSM event capture:
 - *29 = 1, 0
 - *55 = 1
- Telco event capture:
 - *29 = 0, 0
 - *55 = 0
 - *48 = set report format to Contact ID
 - *41 = enter a telephone number
 - *43 = enter an account number for all partitions that are used

Note: If the system has Touchpads enrolled and panic alarms are needed on the Touchpads, zone types for zones 95, 96 and 99 must be configured in the panel as follows, using *56:

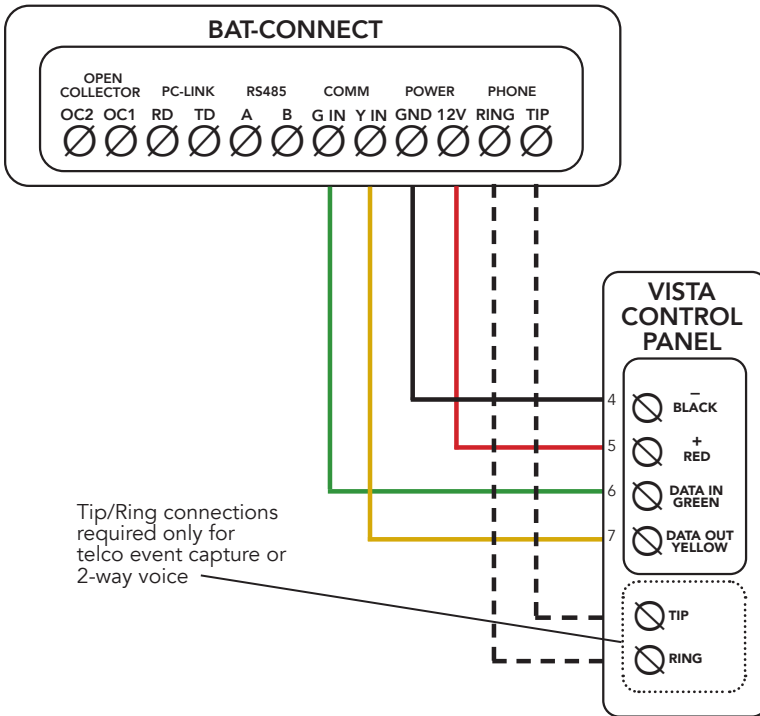
- zone 95: 24 hour silent or audible (zone type 6 or 7)
- zone 96: fire (zone type 9)
- zone 99: 24 hour auxiliary (zone type 8)

5. Exit programming mode and power down the Vista system.
6. Connect the Vista system and BAT-Connect as shown in the wiring diagram below.
7. For Vista 211P panels, Internal IP/GSM jumper needs to be set to "OFF".
8. Power up the Vista system.

- The Vista system will be busy for 50-60 seconds after power up before it will automatically program. Programming of the panel will only be performed if the panel supports AUI.
- BAT-Connect will set the following fields automatically:
 - * Opening report (*65) = 1 (enabled)
 - * Closing report (*66) = 1, 1 (stay closing and away closing reports enabled)
 - * Alarm cancel report (*68) = 1 (enabled)
 - * AC power restoral report (*73) = 1 (enabled)
 - * Low Battery restoral report (*74) = 1 (enabled)

9. Once the keypad(s) display **DISARMED Ready to Arm**, installation is complete.
10. Verify proper operation and reporting of all event codes using your control panel's installation manual.

Honeywell Vista Wiring for Interactive Control and Event Reporting



- For IP/GSM reporting, Vista control panels require connection to panel bus only. Tip/Ring connections are required only if telco event capture reporting or 2-way voice alarm verification is used.
- Tip & Ring should not be wired to BAT-Connect using the same multi-conductor cable as the panel bus wiring. Tip & Ring should be in a separate cable.
- See below for supported Vista panels. If Vista panel is not listed, please contact Alula Support.

Compatible Panels

- Vista 10P (virtual keypad support only)
- Vista 15P
- Vista 20P
- Vista 21IP
- Safewatch Pro 3000
- Vista 128 (virtual keypad support only)

**REVIEW BAT-CONNECT COMMUNICATOR ALARM PANEL COMPATIBILITY SECTION

DSC Power Series Programming

1. Set up an account in the AlulaConnect portal.
2. Add the MASTER CODE to the primary account user before connecting the BAT-Connect. This is required for the BAT-Connect to be able to properly configure the system settings. Six digit access codes are not supported.
3. Disarm the system (all partitions).
4. Enter panel programming mode using the installer code and program the following:

Note: DSC Power Series panels may use different programming locations or the option may not be available. Always refer to the installation manual of the specific panel for programming locations and options.

- Enable Communicator ([380]:[1])
- Enter a Telephone Number ([301])
- Enter Account Number ([310])
- Verify 1st Telephone Number is enabled in Call Direction Options ([351]-[376])
- Verify Master Code Not Changeable is Disabled ([015]:[6])
- Verify Access Code Required for *1, *2, *3 menus is disabled ([022]:[1])
- Verify that keypad lockout is either zero (disabled) or higher than 6 ([012])
- If you have removed any bus devices, perform a Module Supervision Reset ([902]). BAT-Connect will be supervised by the panel as a PC5400 module.
- Set Communicator Format to Contact ID ([350])
- Verify the panel is properly set up for Contact ID event reporting
- To enable reporting of the Period Test Transmission, program the "Periodic Test Transmission" ([348]:[4]) and the "Periodic Test Transmission with Trouble" ([348]:[3]) reporting codes to "02"(optional)
- If zone definition and label capture will be used, enable T-Link option ([382]:[5]). If the panel does not support T-Link, skip this step

5. Exit programming mode and power down the DSC system.
6. Connect the DSC system and the BAT-Connect as shown in the wiring diagram below. If zone definition and label capture will be used, wire the PC-Link cable (RE049) as shown on the next page.
7. Power up the DSC system.
 - The DSC control panel will begin automatic configuration and access code sync. Panel keypads will be unavailable during this time.

For optional zone definition and label capture using the PC-Link cable (RE049):

Note: An alpha-numeric LCD keypad (such as PK5500 or LCD5500Z) must be present and enrolled in slot 8 for zone label capture.

If the panel supports T-Link:

- Zone definition and label capture will automatically begin after panel configuration and access code sync is complete. This will complete approximately 4-5 minutes after power up of the panel.
- If a re-sync is required, temporarily disable the T-Link option, then follow the steps below.

If the panel does not support T-Link or T-Link is disabled:

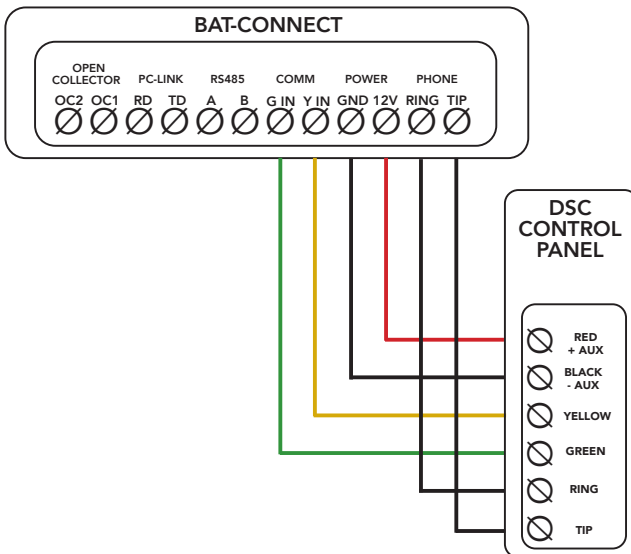
- Enter programming mode [*][8][installer code].
- Initiate PC-Link download [499][installer code][499].
- Keypad should display "Download in progress". Typically the download takes less than one minute and the keypad will perform one loud beep when complete.

Note: occasionally a keypad has difficulty syncing shortly after the user auto sync process. If the first attempt fails, wait at least 2 minutes and try again. If uDownloader is not used, the PC-Link cable can be removed when the zone definition and label capture is complete.

8. Verify proper operation and reporting of all event codes using your control panel's installation manual.

Note: During normal operation, BAT-Connect will occasionally use the panel bus for some system tests. Typically, this lasts for 5-6 seconds. During this time, panel keypads will be unavailable.

DSC Wiring for Interactive Control and Event Reporting



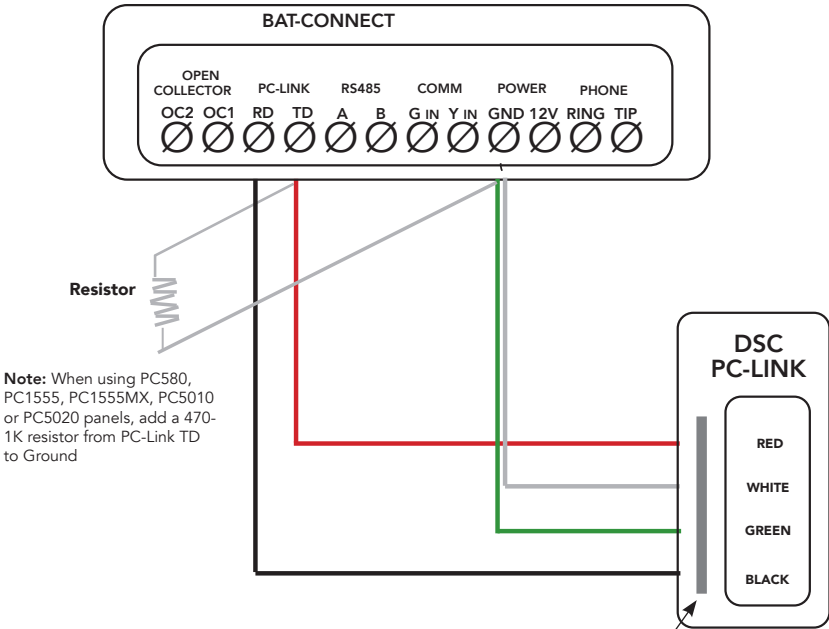
- DSC control panels require connection to panel bus and Tip & Ring.
- Tip & Ring should not be wired to BAT-Connect using the same multi-conductor cable as the panel bus wiring. Tip & Ring should be in a separate cable.
- See below for supported DSC panels.

Compatible Panels

- PC580 (Power 432)
- PC1555 (Power 632)
- PC1555MX (Power 632)
- PC5010 (Power 832)
- PC5020 (Power 864)
- PC1616
- PC1832
- PC1864

**REVIEW BAT-CONNECT COMMUNICATOR ALARM PANEL COMPATIBILITY SECTION

Wiring PC-Link Cable to BAT-Connect



Note: When using PC580, PC1555, PC1555MX, PC5010 or PC5020 panels, add a 470-1K resistor from PC-Link TD to Ground

To wire the PC-Link cable to the DSC panel:

- Locate the PC-link connector on the DSC panel.
- The red wire should be on the left, with the line below the connector. Insert the cable onto the PC-link connector.

Interlogix NX Programming

1. Set up an account in the AlulaConnect portal.
2. Add the MASTER CODE to the primary account user before connecting the BAT-Connect. This is required for the BAT-Connect to be able to properly configure the system settings.
3. Disarm the system (all partitions).
4. Enter panel programming mode using the installer code and program the following:

Note: Interlogix NX panels may use different programming locations or the option may not be available. Always refer to the installation manual of the specific panel for programming locations and options.

- Enter a Telephone Number (Location 0)
- Enter Account Number (Location 1)
- Enable Communicator in Contact ID Format (Location 2)
- Verify All Desired Events are enabled for Phone #1 (Location 4)

5. Exit programming mode and power down the Interlogix NX system.
6. Connect the Interlogix NX system and the BAT-Connect as shown in the wiring diagram.
7. Power up the Interlogix NX system.

Shortly after power up, the BAT-Connect will begin automatic configuration of the Interlogix NX control panel. Automatic configuration should complete about 2 minutes after power up.

During automatic configuration:

- Opening and Closing Reports (Location 4->Segment 1->#2) will be enabled in the panel; however, these reports will only be sent to the monitoring station if enabled in AlulaConnect.
- Access codes will be synced with the panel.
- Zone information will be read from the panel. The following zones will be added to the Alula platform:
 - * Any zones that are enabled in partition 1 and have had their zone type or zone name changed will be added to the Alula platform.
 - * Any zone that is tripped will be added to the Alula platform.
 - * All on-board hardwire zones that are enabled in partition 1 will be added to the Alula platform.

Note: If you want to remove zones from the Alula platform, do so by one of the two methods below:

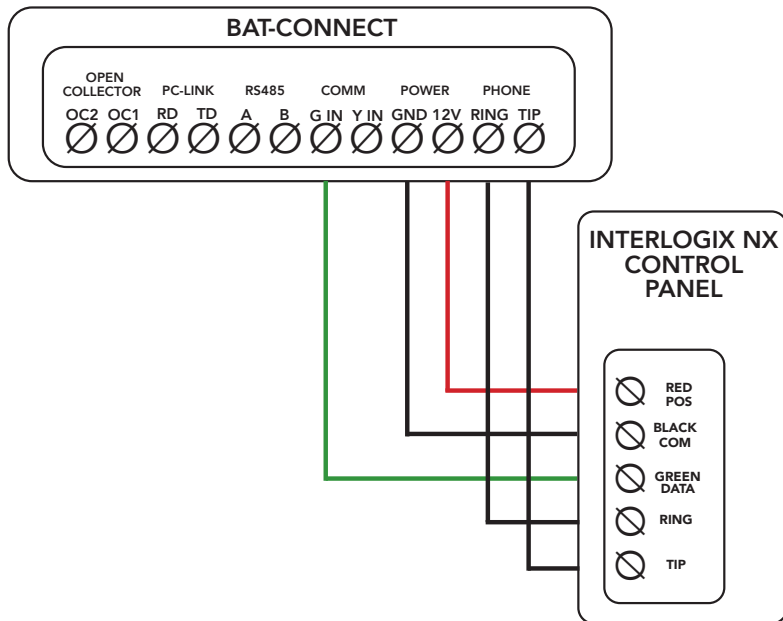
- o Disable the zone for partition 1 and default the BAT-Connect to allow it to re-read the zones.
- o On-board hardwire zones can be deleted in the AlulaConnect portal.

8. Verify proper operation and reporting of all event codes using your control panel's installation manual.

Additional Notes for Interlogix NX Installation

- When user codes are added to the system, the authority levels are not modified. The default user authority includes access to all partitions. If a different authority level is desired, it can be modified on a local keypad using the *6 menu.
- Six digit access codes are not supported.
- The BAT-Connect is supervised by the Interlogix NX panel as device number 247.

Interlogix NX Wiring for Interactive Control and Event Reporting



- Interlogix NX control panels require connection to panel bus and Tip & Ring.
- Tip & Ring should not be wired to BAT-Connect using the same multi-conductor cable as the panel bus wiring. Tip & Ring should be in a separate cable.
- See below for supported Interlogix NX panels.

Compatible Panels

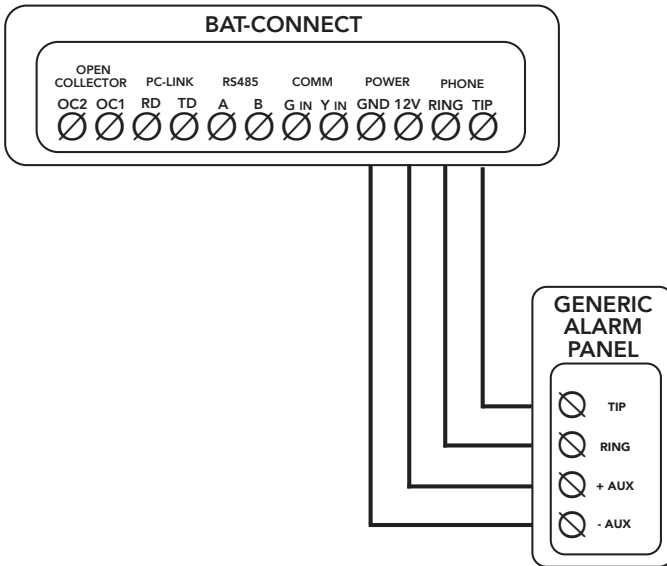
- NX-4/NX-4V2
- NX-6/NX-6V2
- NX-8/NX-8V2
- NX-8E

**REVIEW BAT-CONNECT COMMUNICATOR ALARM PANEL COMPATIBILITY SECTION

Generic Alarm Panel Programming

1. Set up an account in the AlulaConnect portal.
2. Disarm the system (all partitions).
3. Enter panel programming mode using the installer code and program the following:
 - Enter a Telephone Number into the Central Station Phone Number field
 - Enter Customer Account Number for all partitions that are enabled in the panel
 - Enter Reporting Codes
 - Program panel to transmit events in Contact ID format
4. Exit programming mode and power down the system.
5. Connect the system and the BAT-Connect as shown in the wiring diagram on the next page.
6. Power up the system.
7. Verify proper operation and reporting of all event codes using your control panel's installation manual.

Generic Alarm Panel Wiring for Event Reporting



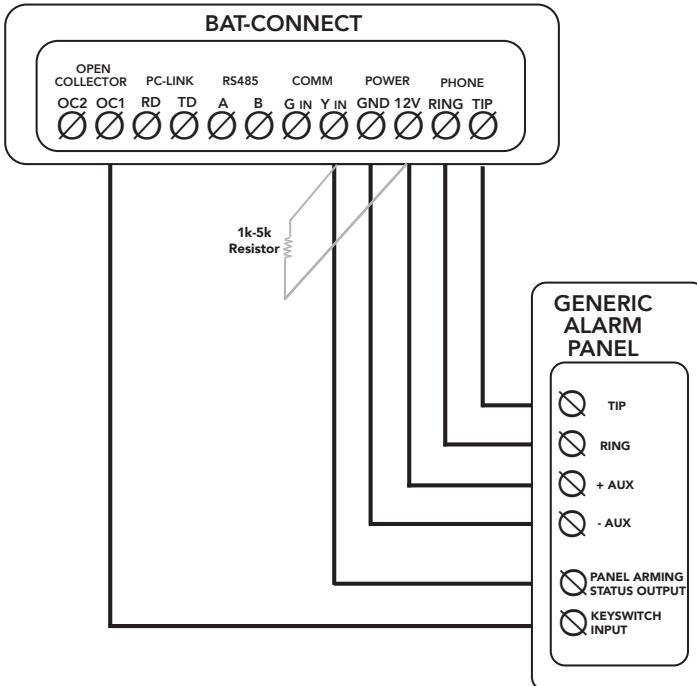
- Any control panel can be supported for event reporting as long as it provides Tip & Ring connection and transmits events in Contact ID format.
- Tip & Ring should not be wired to BAT-Connect using the same multi-conductor cable as the panel wiring. Tip & Ring should be in a separate cable.

Generic Alarm Panel Keyswitch Arming Requirements

- An arming status output on the alarm panel will be used to signal to the BAT-Connect (Y IN terminal) that the panel has entered Arm/Disarmed state.
 - * A pull-up resistor must be installed from Y IN to 12V. The value of the pull-up resistor can be 1k-5k.
 - * BAT-Connect requires the arming status output to be stable for more than 3 seconds to register an arming level change.
 - * The output level when the panel is disarmed is learned by the BAT-Connect by pressing and holding the enroll button until the Device Link LED begins to flash. The disarm output level can only be enrolled one time. If the level is enrolled incorrectly, change it by defaulting the BAT-Connect.
 - * The panel's arming status output typically must be programmed for keyswitch operation. Refer to the specific panel manual for keyswitch output operation setup instructions.
- The BAT-Connect provides an open collector output OC1 that is pulsed for 1 second when an arm or disarm command is received from the Alula platform.
 - * OC1 must be connected to the panel's keyswitch input.
 - * The panel's keyswitch input typically must be programmed for keyswitch operation. Refer to the specific panel manual for keyswitch input operation setup instructions.

Generic Alarm Panel Keyswitch Arming Set-Up Procedure and Wiring

1. Disarm the panel.
2. Connect Y IN and OC1 as described in the Generic Alarm Panel Keyswitch Arming Requirements section, and in accordance to specific directions described by the panel's keyswitch arming documentation.
3. Program the panel as specified in its documentation.
4. With the panel disarmed, press the enroll button on the BAT-Connect.
5. Arm the panel for 10 seconds, then disarm the panel for at least 10 seconds. The BAT-Connect will not enable keyswitch arming until an arming cycle is performed.



Operation Overview

Events are reported to the Alula server and the central station. All events use Contact ID reporting codes.

Ensure that the required events are enabled for reporting. (See panel programming sections.)

Remote control of the system can be done through the Alula apps on Honeywell Vista, DSC, and Interlogix NX panels. Arming and disarming control and status apply only to partition 1. Keyswitch arming can be used for remote control of any alarm panel that can be configured for keyswitch arming.

Enroll/Reset button

- Hold for 2 seconds to enable Device Link enroll mode (Device Link LED will flash)
- Hold for 5 seconds to reset the BAT-Connect
- Hold for 10 seconds to factory default the BAT-Connect

* All LEDs flash on then off at 5 seconds and again at 10 seconds when the BAT-Connect is factory defaulted.

* If BAT-Connect was previously connected to another panel, it should be defaulted.

LED indicators

LED	Indication
Power	Pulses every second when AC power is present
Panel Bus	Flashing fast - attempting to discover panel type Flashing slow - panel identified, attempting to connect to panel On - connected to panel
Device Link	Flashing - Device Link enroll mode is enabled On - Device Link network is operational
Cellular, Wi-Fi, Ethernet	Off - interface not used Flashing slow - attempting server connection using this interface On - connected to server using this interface Short blink every 2 seconds (cellular LED only) - this is a backup interface, last test was successful
Update	Off - no connection to server Flashing - update is in progress On - all firmware is up to date

Cellular signal bar LEDs indicate the quality of the cellular connection. A minimum of two signal bar LEDs is recommended.

Number of Signal Bar LEDs Lit	Cellular Signal Strength
0	Bad (0-14)
1	Marginal (15-19)
2	Acceptable (20-24)
3	Good (25-30)
4	Best (30+)

Note: during a 2-way voice session, the first two cellular LEDs will flash.

Pro Tips

- Do not mount inside of a metal can. The cellular and Wi-Fi antennas need to be in free air to communicate.
- Mount as high in the building as possible to optimize cellular strength.
- An auxiliary power supply may be used to power BAT-Connect. This power supply must have a backup battery to provide power if AC power fails. Ensure voltage is 12 VDC. A common ground must be run from the BAT-Connect's ground to the panel's ground terminal.
- The uDownloader which allows for uploading and downloading of alarm panels can be found at AlulaConnect.com. (Dealer Portal > Resources)
- If 2-way voice alarm verification is required, ensure the alarm panel is configured for 2-way voice support. For 2-way voice, telco event capture event reporting must be used. Refer to the alarm panel installation manual for additional information.
- The BAT-Connect supports up to 48 users, or the maximum supported by the alarm panel. Consult your alarm panel installation manual for additional information.
- If your panel has a configurable Auto Stay option, it needs to be disabled in order to remotely Arm Away.

Troubleshooting

Symptom	Troubleshooting Steps
Panel Bus LED Blinking	General <ol style="list-style-type: none">1. Incorrect wiring.2. Unsupported panel version.3. Unsupported panel model.4. Panel is in Installer Program Mode. Honeywell Vista <ol style="list-style-type: none">1. AUI not enabled.2. AUI used for some other function.3. LRR not enabled.4. Another LRR or IP/GSM device connected to panel bus.
Ethernet, Wi-Fi, and Cellular LED Flashing Slow	<ol style="list-style-type: none">1. If registration information changes after the BAT-Connect is powered up, perform a factory default.2. For Wi-Fi and ethernet, ensure internet connectivity at the router.
Ethernet LED Off	<ol style="list-style-type: none">1. Confirm cable connected.2. Ensure router is powered.3. Ensure UDP ports 1234 and 1235 are open in router/modem settings.
Wi-Fi LED Off	<ol style="list-style-type: none">1. Ensure router is powered.2. Ensure Wi-Fi credentials are correct.
Cellular LED Off	Verify sufficient signal strength for cellular (see Cellular signal bar table in Operation Overview section).
Supervisory Trouble Information	Honeywell Vista - LRR Fault/bF error <ol style="list-style-type: none">1. Verify panel is 4.0 or later.2. Verify that no other LRR devices are connected to the panel bus.
No Alarm CS Reports	<ol style="list-style-type: none">1. Incorrect wiring.2. Panel Configuration for alarm reporting not set up properly. Please refer to the programming section for your panel type.3. Account is not properly configured for event relay.
Poor Cellular Signal Strength	<ol style="list-style-type: none">1. Make sure antenna is securely snapped into the circuit board.2. Reposition the unit (move or rotate).3. Move the unit higher in the building.4. Move the unit away from metal objects (appliances, ducts).5. Move the unit closer to a window.6. Move to one of the higher performance antenna options (see Antenna Options section).

Antenna Options

Internal antenna - RE048 (Included with BAT-Connect)

- Good Performance
- Offers a compact solution



Wall Drop antenna - RE036

- 8-foot antenna
- Better performance
- Antenna can be hidden in the wall



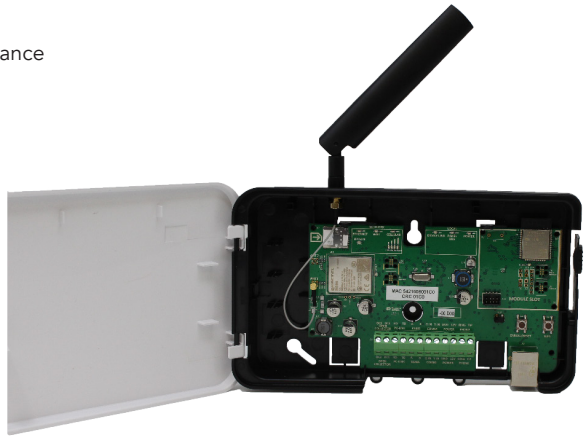
Wall Drop antenna - RE036-0

- 1-foot antenna
- Better performance
- Antenna can be hidden in the wall



Side Mount Antenna - RE046

- Best performance
- Offers optimal cellular performance



Antenna Removal and Installation

1. Pull up gently on the internal antenna's connector to release it from the cellular module.
2. Remove the internal antenna.
3. Break out the plastic plug in hole at top of enclosure.
4. Install the large (MMCX) end of the supplied cable in hole in top of enclosure, and secure with supplied nut.
5. Snap the small end of the supplied cable into the circuit board.
6. Thread the high gain antenna to the MMCX connector at top of enclosure.

Other cellular antenna options

- Nearson T6155AM-LTE-S
- Taoglas TG.30.8113
- Laird DBA6927C1-FSMAM



BAT-Connect Communicator

Alarm Panel Compatibility Guide



	Panel Model	Alarm Signals	Full Interactive Alula Connect & Mobile App	Keyswitch Arm/Disarm	Virtual Keypad	uDownloader Support	Slimline Touchpad	Video	Automation
DSC	PC1616	•	•	•	•	•	•	•	•
	PC1832	•	•	•	•	•	•	•	•
	PC1864	•	•	•	•	•	•	•	•
	PC5020	•	•	•	•	•	•	•	•
	PC580	•	•	•	•		•	•	•
	PC1555/1555MX	•	•	•	•		•	•	•
	PC5010	•	•	•	•		•	•	•
	Alexor	•		•				•	•
	Impassa	•		•				•	•
Neo	•		•				•	•	
Honeywell	Vista 10P Series	•		•	•	•		•	•
	Vista 15 Series	•		•				•	•
	Vista 20 Series	•		•				•	•
	Vista 15P Series	•	Rev 3.0+	•	•	•	Rev 3.0+	•	•
	Vista 20P Series	•	Rev 3.0+	•	•	•	Rev 3.0+	•	•
	Vista 21IP Series	•	•	•	•	•	•	•	•
	Vista 128 Series	•		•	•			•	•
	First Alert FA130	•		•				•	•
	First Alert FA148	•		•				•	•
	First Alert FA168	•		•				•	•
Safewatch Pro 3000	•	•	•	•		•	•	•	
Interlogix / GE	NX-4 / NX-4V2	•	•	•	•		•	•	•
	NX-6 / NX-6V2	•	•	•	•		•	•	•
	NX-8 / NX-8V2	•	•	•	•		•	•	•
	NX-8E	•	•	•	•		•	•	•
	Concord 4	•	Pending	•	Pending		Pending	•	•
	Concord 2,3	•		•	Pending			•	•
	Concord Express	•		•	Pending			•	•
	Simon, XT, XTi, XTi5	•	Pending					•	•
Napco	Napco GEM P800	•	Pending				Pending	•	•
	Napco GEM P801	•	Pending				Pending	•	•
	Napco GEM P816	•	Pending	•	Pending		Pending	•	•
	Napco GEM P1632	•	Pending	•	Pending		Pending	•	•
	Napco GEM P3200	•	Pending	•	Pending		Pending	•	•
	Napco GEM P9600	•	Pending	•	Pending		Pending	•	•
Misc.	HAI OmniPro	•		•				•	•
	Non-Listed CID Panels	•		•				•	•

This Page Is Intentionally Left Blank

This Page Is Intentionally Left Blank

This Page Is Intentionally Left Blank

Specifications

Physical	
Housing Dimensions	8.5 x 5.0 x 1.3 inches (21.6 x 12.7 x 3.3 cm)
Weight	10.0 ounces (283.5 g)
Mounting Fasteners	#6 screws and wall anchors (included)
Cover Securing Screw	#4 screw (included)
Device Specification	
Reported Indications	Cover Tamper, Wall Tamper
Current Draw	100mA (Nominal)
Input Voltage	9 - 14 VDC
Environmental	
Operating Temperature	32°F to 120°F (0°C to 48.9°C)
Maximum Humidity	85% non-condensing relative humidity
Models	
BAT-CONNECT-V	BAT-Connect, Verizon™
BAT-CONNECT-A	BAT-Connect, AT&T™
Certification	
BAT-CONNECT-V	FCC, IC, Verizon
BAT-CONNECT-A	FCC, IC, AT&T

Specifications subject to change without notice

FCC NOTICE

This device complies with Part 15 of the FCC rules. Operation is subject to the following two conditions:

- (1) This device may not cause harmful interference.
- (2) This device must accept any interference that may be received, including interference that may cause undesired operation.

Changes or modifications not expressly approved by Alula could void the user's authority to operate this equipment.

RF Exposure:

To satisfy FCC RF Exposure requirements for mobile and base station transmission devices, a separation distance of 20 cm or more should be maintained between the antenna of this device and persons during operation. To ensure compliance, operation at closer than this distance is not recommended.

Cellular

FCC ID: XMR201707BG96

Wi-Fi

FCC ID: 2AC7Z-ESPWROOM32D

TRADEMARKS

Alula is a trademark owned by Alula Holdings, LLC. Alula products will function with one of either Honeywell, Interlogix, or DSC systems. However, no Alula product is produced by, endorsed by, nor is officially associated with Honeywell, Interlogix, or DSC. Alula recommends verifying proper enrollment and operation, per control panel installation instructions, at installation. AT&T is a trademark of AT&T Intellectual Property II, L.P. Verizon is a trademark of Verizon Trademark Services LLC. Honeywell is a registered trademark owned by Honeywell International Inc. DSC is a registered trademark owned by TYCO. GOOGLE PLAY is a trademark of GOOGLE LLC. INTERLOGIX is a trademark of UTC. APP STORE is owned by APPLE INC.

IC NOTICE

This device complies with Industry Canada license-exempt RSS standard(s). Operation is subject to the following two conditions:

- (1) This device may not cause interference, and
- (2) This device must accept any interference, including interference that may cause undesired operation of the device.

Le présent appareil est conforme aux cnr d'Industrie Canada applicables aux appareils radio exempts de licence. L'exploitation est autorisée aux deux conditions suivantes:

- (1) L'appareil ne doit pas produire de brouillage, et
- (2) L'utilisateur de l'appareil doit accepter tout brouillage radioélectrique subi, même si le brouillage est susceptible d'en compromettre le fonctionnement.

Cellular

IC: 10224A-201709BG96

Wi-Fi

IC: 21098-ESPWROOM32D