

Installation Guide

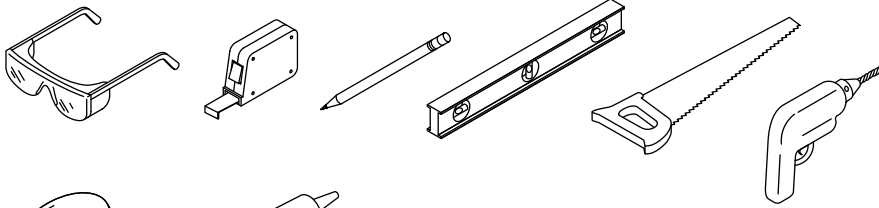
Short Apron-Front Kitchen Sink

Français, page "Français-1"
Español, página "Español-1"

1400422-2-A

THE BOLD LOOK
OF **KOHLER**®

Tools and Materials



Painter's
Tape

100% Silicone
Sealant

Wood
Screws

Plus:

- Suitable Support Framing Material [1-1/2" (38 mm) Max Thickness]

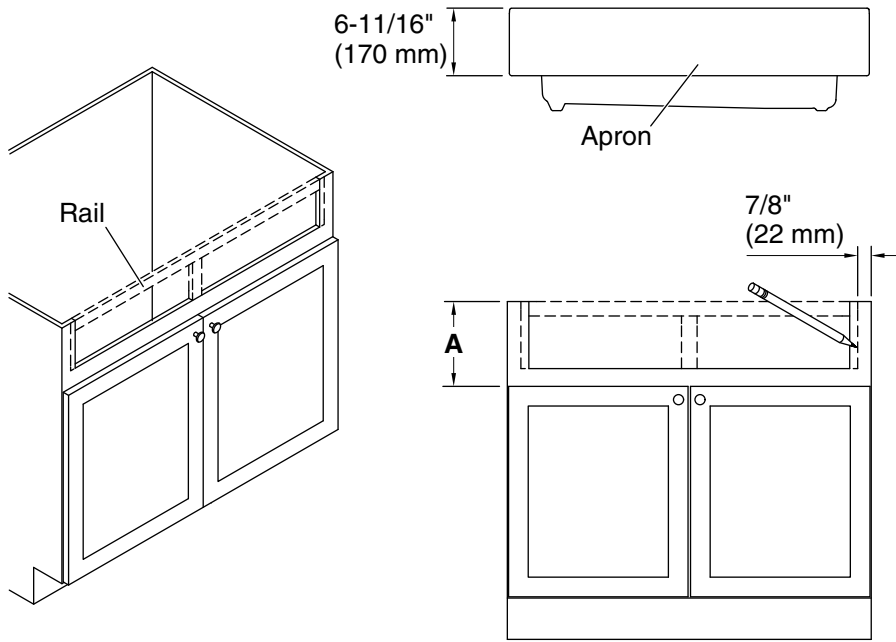
Before You Begin

IMPORTANT! Refer to the "Prepare the Cabinet" section for cabinet dimensional requirements.

IMPORTANT! Install the sink before installing the countertop.

IMPORTANT! Long screws may damage adjacent cabinets. Make sure the screws are long enough to secure the support framing, but short enough so they do not extend through the walls of adjacent cabinets.

- Due to the nature of under-mount installations, Kohler Co. recommends that only trained and experienced installers perform under-mount sink installations.
- Use proper fasteners and techniques to ensure that the frame will support a minimum of 300 lbs (136 kg). Locate the fasteners for easy access in the event the sink needs to be removed in the future.
- This sink is intended for installation into a standard 36" base cabinet.
- Follow all local plumbing and building codes.



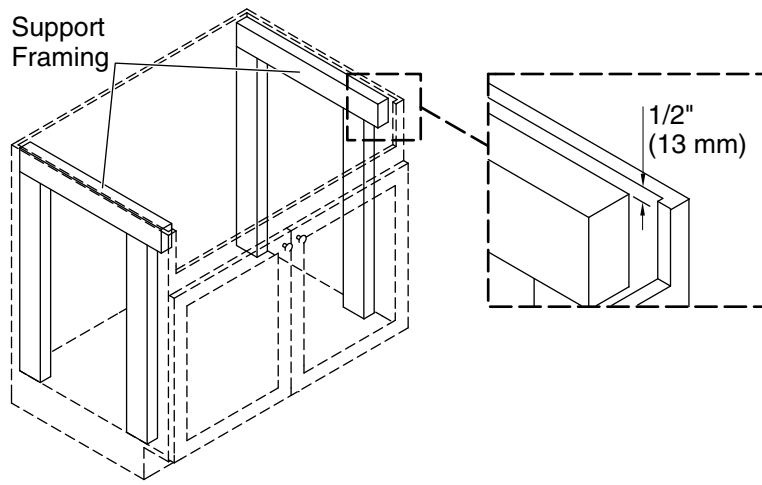
1. Prepare the Cabinet

IMPORTANT! Before installing this sink, verify that the distance to the top of the doors (A) is greater than the apron height.

- Remove the false drawer front from your cabinet. Use care not to damage the cabinet.

TIP: Apply painter's tape to the cabinet to mark cuts and protect the cabinet surface when cutting.

- If your cabinet has a center support, cut along the bottom of the support even with the drawer opening.
- Remove and discard the rail.
- Measure and mark 7/8" (22 mm) in from the outside edge of the cabinet. Repeat for the other side.
- Cut the cabinet along the marked lines.

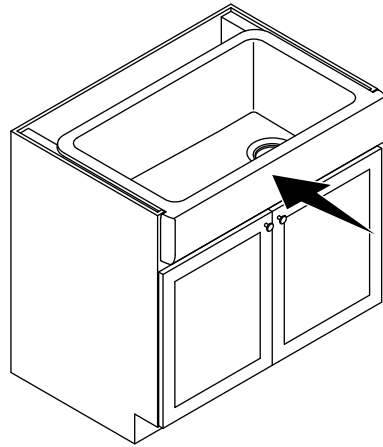
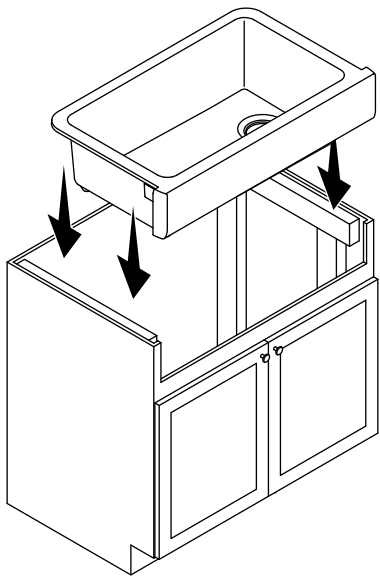


2. Install the Support Frame

IMPORTANT! Horizontal and vertical support framing is required to support the weight of the sink.

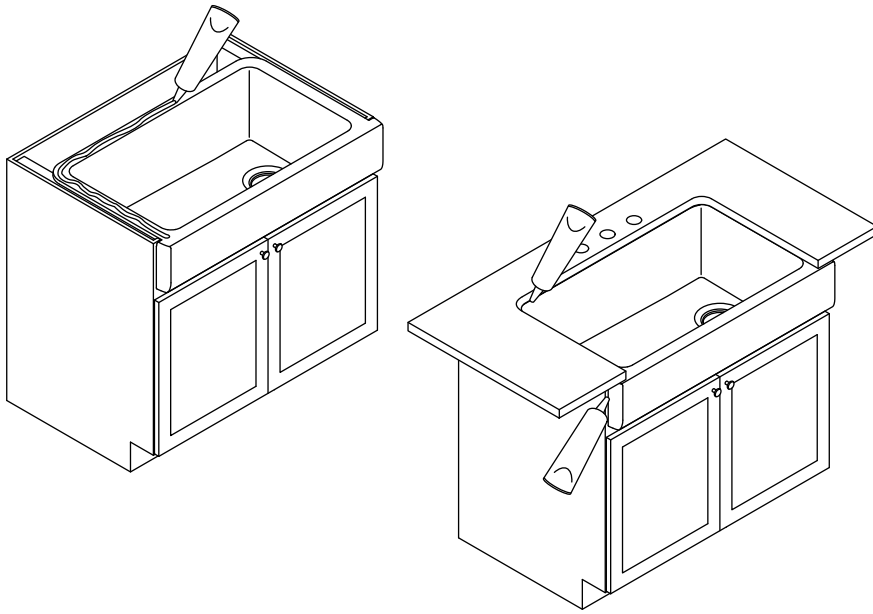
NOTICE: For proper countertop installation, the top of the sink must not extend above the top of the cabinet.

- Cut two lengths of support framing to extend horizontally along the inside walls on each side of the cabinet.
- Measure and mark the support mounting locations. Make sure the sink rim will sit at or slightly below the top of the cabinet.
- Position and level the supports.
- Secure the supports with construction adhesive and screws (not provided).
- Cut four lengths of support framing to extend from the bottom of the installed supports to the floor of the cabinet.
- Secure the vertical supports with construction adhesive and screws (not provided).



3. Install the Sink

- Lower the sink onto the supports; verify that the sink is supported by the frame.
- Push the sink in to make sure the apron is flush to the front of the cabinet.
- Verify that the sink is level; make any adjustments and shim as needed.



4. Complete the Installation

- Apply a bead of 100% silicone sealant around the side and back of the sink.
- Install the countertop.
- Apply a thin bead of 100% silicone sealant where the sink meets the countertop and where the apron meets the cabinet.
- Immediately wipe away any excess sealant.
- Install the faucet and the strainer according to the instructions packed with the products.
- Connect the trapway to the strainer.
- Run water into the sink and check all connections for leaks.